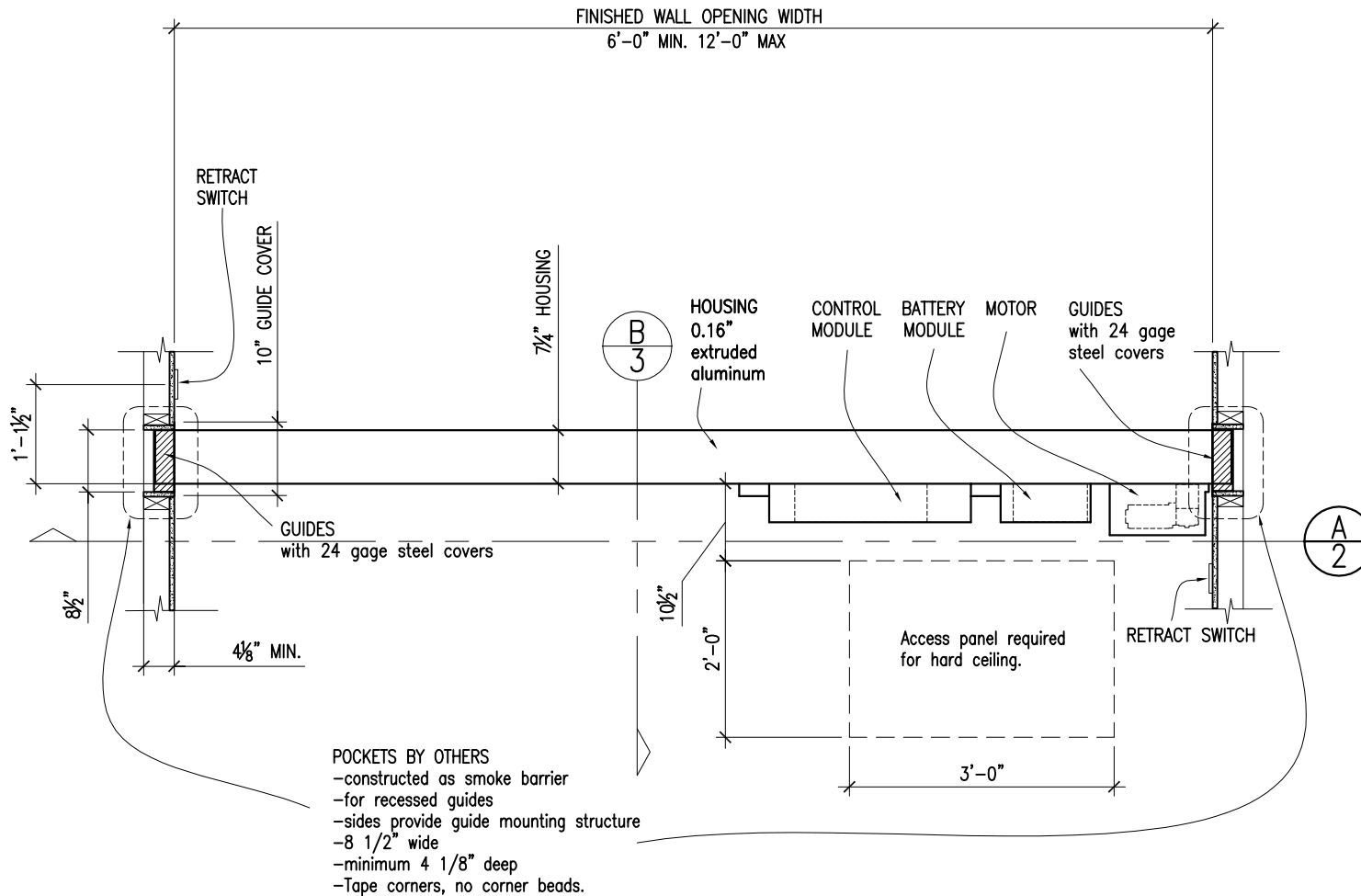


THESE DRAWINGS SHOW OUR INTERPRETATION OF THE PRINCIPAL PLANS AND SPECIFICATIONS. THEY ARE SUBMITTED AS CHECK PRINTS REQUIRING REVIEW AND POSSIBLE REVISIONS TO DETAILS AND/OR DIMENSIONS. TWO COPIES MUST BE RETURNED WITH SIGNATURE BEFORE FABRICATION OF MATERIALS CAN BEGIN. THIS SIGNATURE INDICATES PURCHASER'S FULL ACCEPTANCE OF DETAILS SHOWN AND THE PRODUCT IN CONFORMANCE TO SAME. THESE DESIGNS AND DRAWINGS ARE THE EXCLUSIVE PROPERTY OF SMOKE GUARD, INC. AND ARE NOT TO BE USED OR DUPLICATED WITHOUT PERMISSION, COPYRIGHT 2008, ALL RIGHTS RESERVED. NEITHER SMOKE GUARD NOR INSTALLER IS RESPONSIBLE FOR ONGOING MAINTENANCE OR TESTING AFTER INSTALLATION AND ACCEPTANCE.



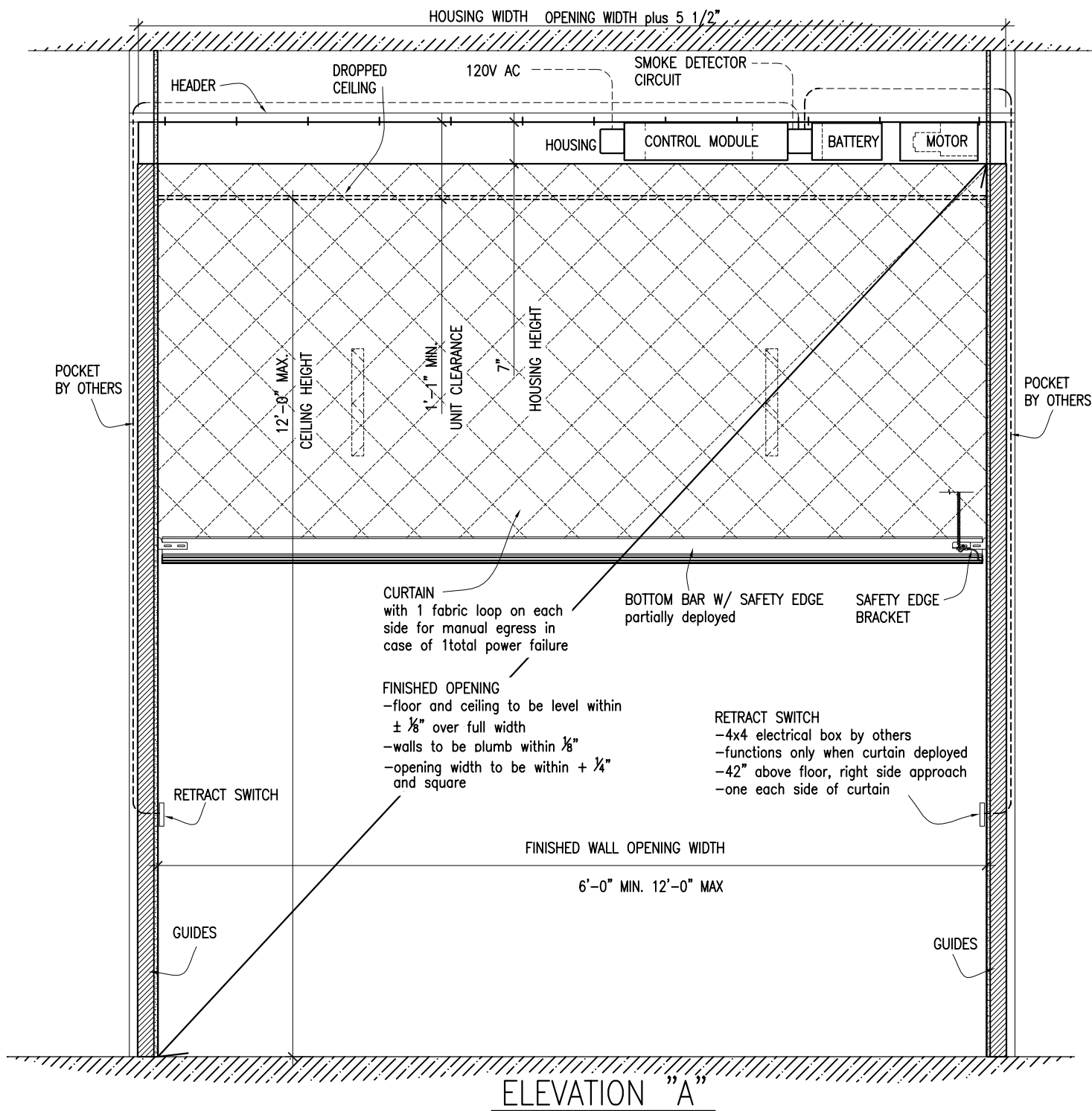
Model 1500



Scale: 1/2" = 1'-0"

M1500 SMOKE GUARD SYSTEM
DOC#1506-R REV.14N 2012-07-23

SHEET 1 OF 5



THESE DRAWINGS SHOW OUR INTERPRETATION OF THE PRINCIPAL PLANS AND SPECIFICATIONS. THEY ARE SUBMITTED AS CHECK PRINTS REQUIRING REVIEW AND POSSIBLE REVISIONS TO DETAILS AND/OR DIMENSIONS. TWO COPIES MUST BE RETURNED WITH SIGNATURE BEFORE FABRICATION OF MATERIALS CAN BEGIN. THIS SIGNATURE INDICATES PURCHASER'S FULL ACCEPTANCE OF DETAILS SHOWN AND THE PRODUCT IN CONFORMANCE TO SAME. THESE DESIGNS AND DRAWINGS ARE THE EXCLUSIVE PROPERTY OF SMOKE GUARD, INC. AND ARE NOT TO BE USED OR DUPLICATED WITHOUT PERMISSION, COPYRIGHT 2008, ALL RIGHTS RESERVED. NEITHER SMOKE GUARD NOR INSTALLER IS RESPONSIBLE FOR ONGOING MAINTENANCE OR TESTING AFTER INSTALLATION AND ACCEPTANCE.

Model 1500



Scale: 1/2" = 1'-0"

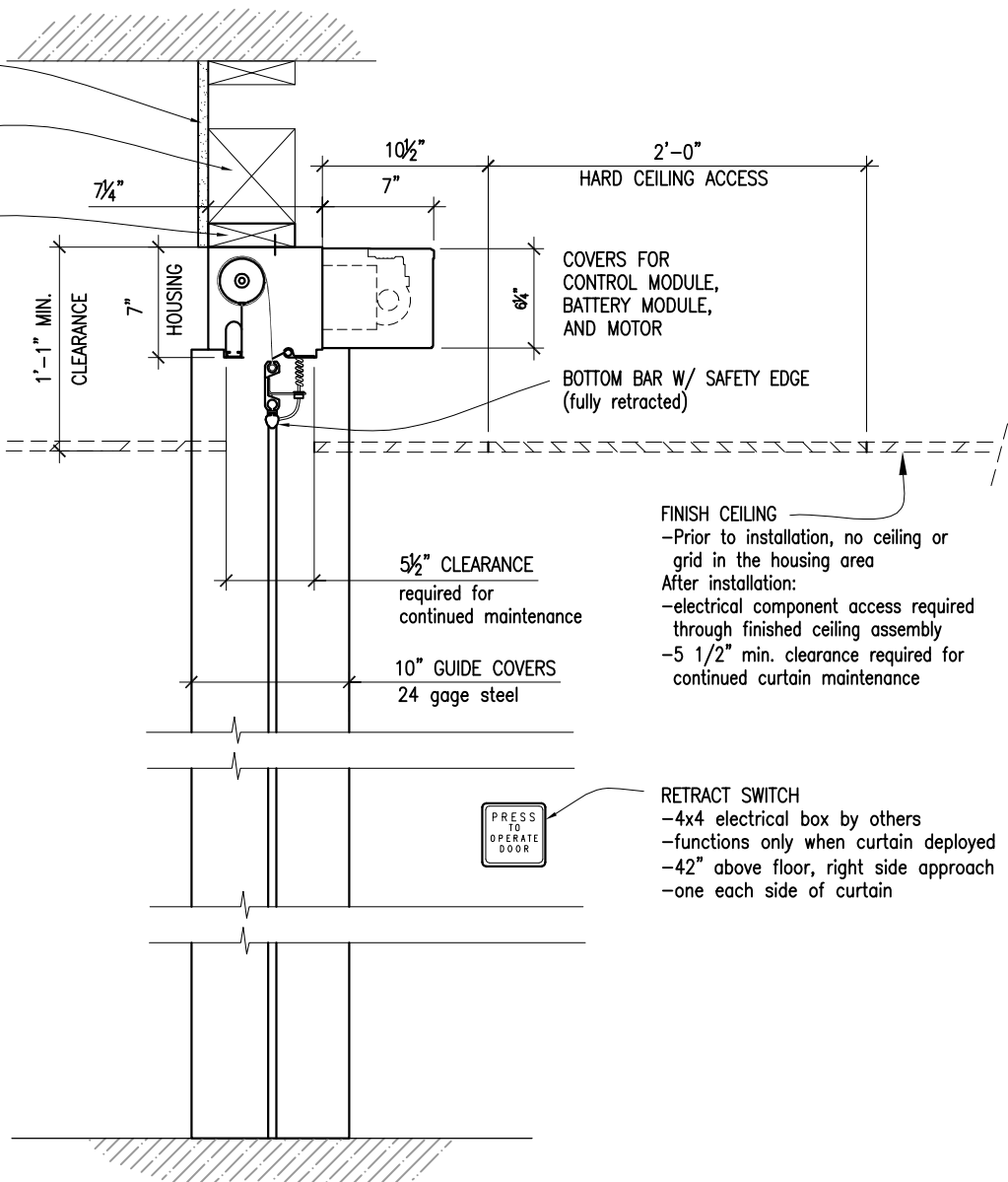
M1500 SMOKE GUARD SYSTEM
 DOC#1506-R REV.14N 2012-07-23

SHEET 2 OF 5

SMOKE RATED BARRIER
by others

SUPPORT HEADER
-50plf capacity
-by others

MOUNTING SURFACE
-mounting into heading or
deck above required
-wood: 2x6 min.
-steel studs: min 54mils thick
-smooth level surface
-fire protection per code



COVERS FOR
CONTROL MODULE,
BATTERY MODULE,
AND MOTOR

BOTTOM BAR W/ SAFETY EDGE
(fully retracted)

FINISH CEILING
-Prior to installation, no ceiling or
grid in the housing area
After installation:
-electrical component access required
through finished ceiling assembly
-5 1/2" min. clearance required for
continued curtain maintenance

5 1/2" CLEARANCE
required for
continued maintenance

10" GUIDE COVERS
24 gage steel

RETRACT SWITCH
-4x4 electrical box by others
-functions only when curtain deployed
-42" above floor, right side approach
-one each side of curtain

PRESS
TO
OPERATE
DOOR

SECTION "B"

THESE DRAWINGS SHOW OUR INTERPRETATION OF THE PRINCIPAL PLANS AND SPECIFICATIONS. THEY ARE SUBMITTED AS CHECK PRINTS REQUIRING REVIEW AND POSSIBLE REVISIONS TO DETAILS AND/OR DIMENSIONS. TWO COPIES MUST BE RETURNED WITH SIGNATURE BEFORE FABRICATION OF MATERIALS CAN BEGIN. THIS SIGNATURE INDICATES PURCHASER'S FULL ACCEPTANCE OF DETAILS SHOWN AND THE PRODUCT IN CONFORMANCE TO SAME. THESE DESIGNS AND DRAWINGS ARE THE EXCLUSIVE PROPERTY OF SMOKE GUARD, INC. AND ARE NOT TO BE USED OR DUPLICATED WITHOUT PERMISSION, COPYRIGHT 2008, ALL RIGHTS RESERVED. NEITHER SMOKE GUARD NOR INSTALLER IS RESPONSIBLE FOR ONGOING MAINTENANCE OR TESTING AFTER INSTALLATION AND ACCEPTANCE.

Model 1500

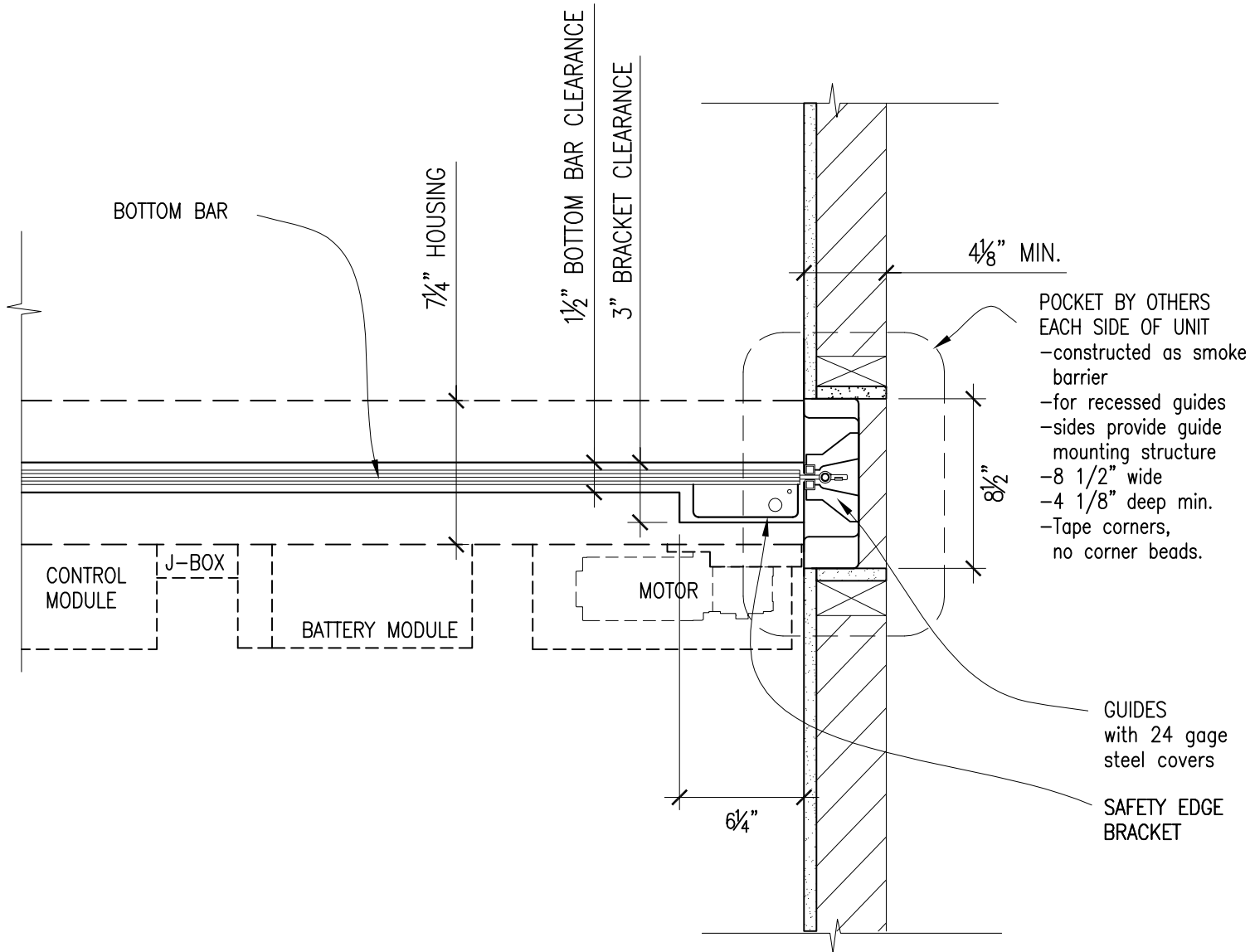


Scale: 1" = 1'-0"

M1500 SMOKE GUARD SYSTEM
DOC#1506-R REV.14N 2012-07-23

SHEET 3 OF 5

THESE DRAWINGS SHOW OUR INTERPRETATION OF THE PRINCIPAL PLANS AND SPECIFICATIONS. THEY ARE SUBMITTED AS CHECK PRINTS REQUIRING REVIEW AND POSSIBLE REVISIONS TO DETAILS AND/OR DIMENSIONS. TWO COPIES MUST BE RETURNED WITH SIGNATURE BEFORE FABRICATION OF MATERIALS CAN BEGIN. THIS SIGNATURE INDICATES PURCHASER'S FULL ACCEPTANCE OF DETAILS SHOWN AND THE PRODUCT IN CONFORMANCE TO SAME. THESE DESIGNS AND DRAWINGS ARE THE EXCLUSIVE PROPERTY OF SMOKE GUARD, INC. AND ARE NOT TO BE USED OR DUPLICATED WITHOUT PERMISSION, COPYRIGHT 2008, ALL RIGHTS RESERVED. NEITHER SMOKE GUARD NOR INSTALLER IS RESPONSIBLE FOR ONGOING MAINTENANCE OR TESTING AFTER INSTALLATION AND ACCEPTANCE.



CEILING PLAN

Model 1500

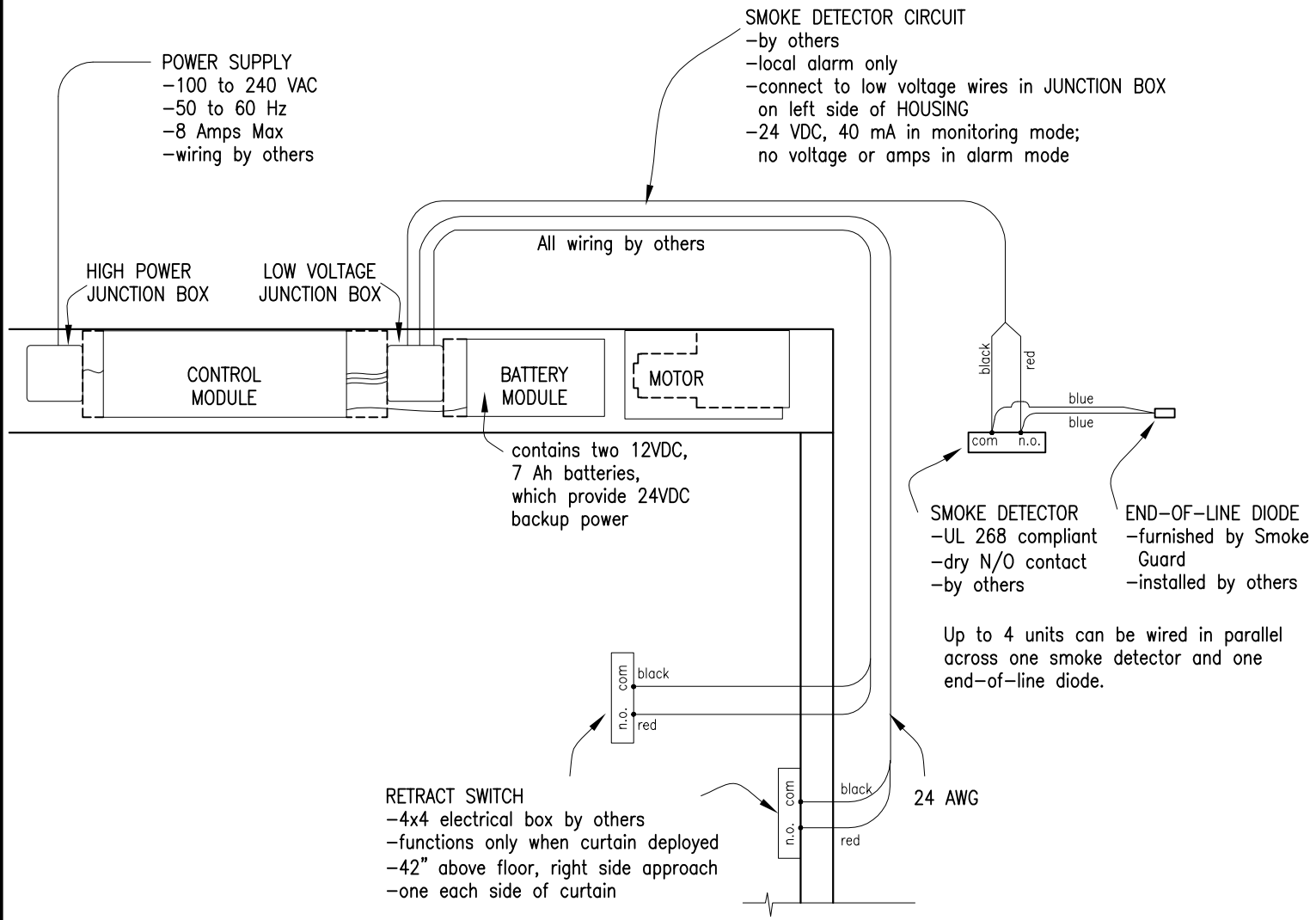


Scale: 1 1/2" = 1'-0"

M1500 SMOKE GUARD SYSTEM
DOC#1506-R REV.14N 2012-07-23

SHEET 4 OF 5

THESE DRAWINGS SHOW OUR INTERPRETATION OF THE PRINCIPAL PLANS AND SPECIFICATIONS. THEY ARE SUBMITTED AS CHECK PRINTS REQUIRING REVIEW AND POSSIBLE REVISIONS TO DETAILS AND/OR DIMENSIONS. TWO COPIES MUST BE RETURNED WITH SIGNATURE BEFORE FABRICATION OF MATERIALS CAN BEGIN. THIS SIGNATURE INDICATES PURCHASER'S FULL ACCEPTANCE OF DETAILS SHOWN AND THE PRODUCT IN CONFORMANCE TO SAME. THESE DESIGNS AND DRAWINGS ARE THE EXCLUSIVE PROPERTY OF SMOKE GUARD, INC. AND ARE NOT TO BE USED OR DUPLICATED WITHOUT PERMISSION, COPYRIGHT 2008, ALL RIGHTS RESERVED. NEITHER SMOKE GUARD NOR INSTALLER IS RESPONSIBLE FOR ONGOING MAINTENANCE OR TESTING AFTER INSTALLATION AND ACCEPTANCE.



ELECTRICAL SCHEMATIC

All wiring by others

Model 1500



Scale: NTS

M1500 SMOKE GUARD SYSTEM
 DOC#1506-R REV.14N 2012-07-23

SHEET 5 OF 5