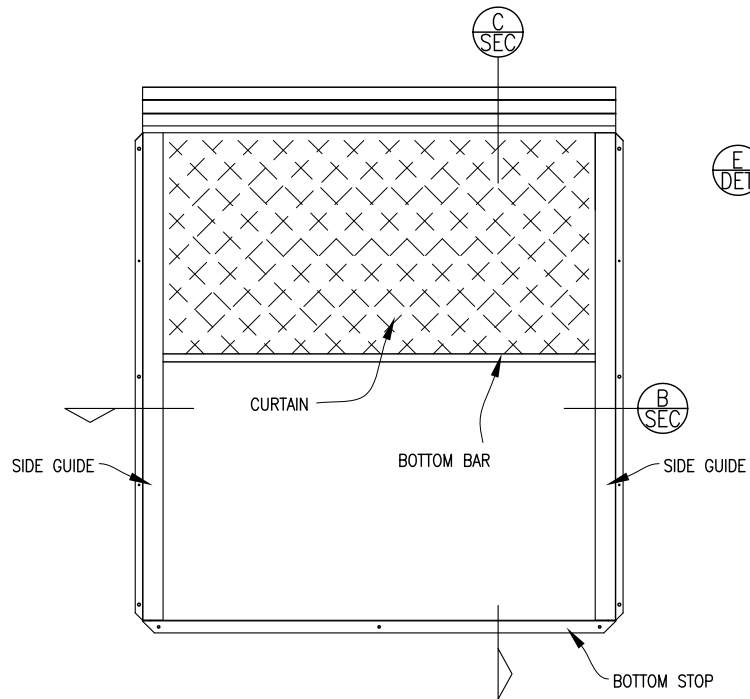
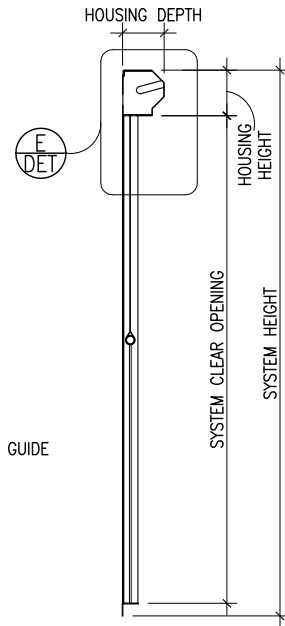


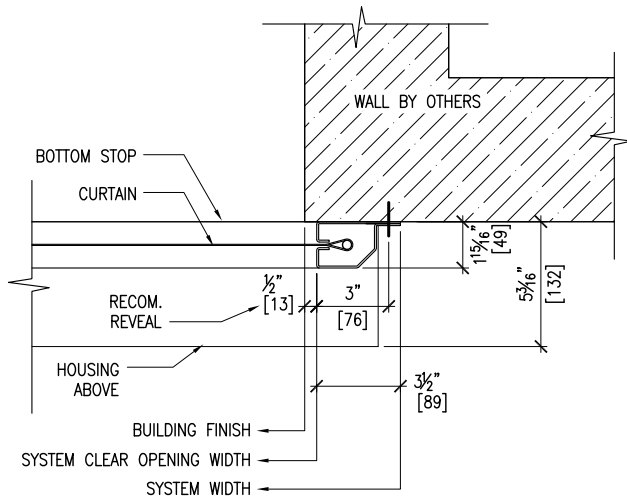
**E HEAD/BASE DETAIL**  
1/2"=1'-0"



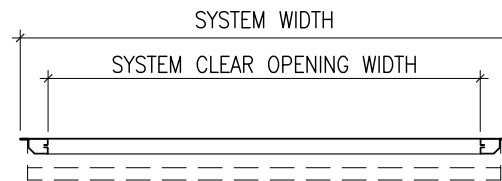
**A ELEVATION**  
1/2"=1'-0"



**C SECTION**  
1/2"=1'-0"



**D GUIDE DETAIL**  
1/2"=1'-0"



**B PLAN**  
1/2"=1'-0"

1  
DESIGN DETAILS M1000  
BY: HGK 11.11.2013  
M2105.R1

