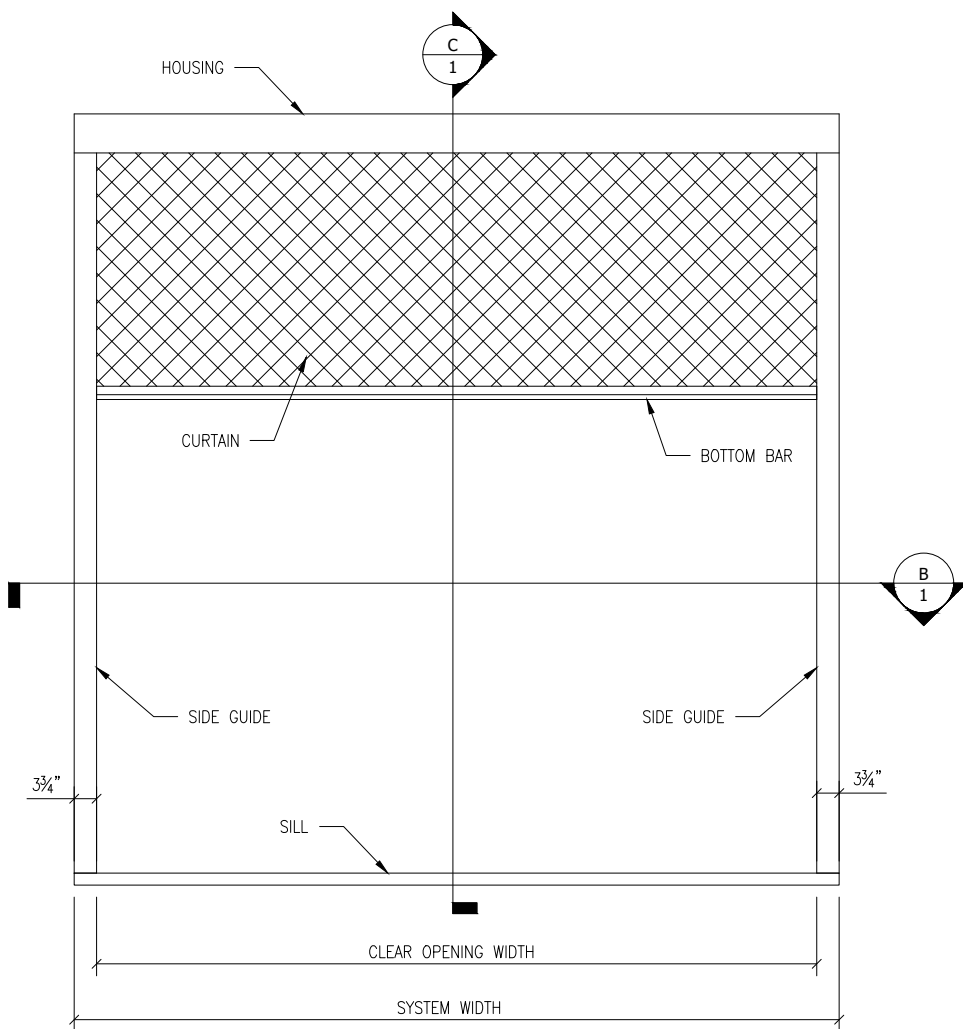
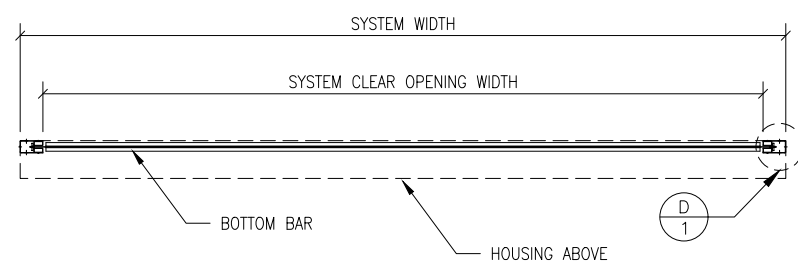


- GENERAL NOTES:
- SMOKE GUARD FIRE RATED UNITS (HOUSINGS & SIDE GUIDES) TO BE MOUNTED TO A FINISHED, FIRE RATED ASSEMBLY OR STRUCTURE PER YOUR APPLICATION.
  - CLIENT TO PROVIDE CONTINUOUS MOUNTING SURFACE FOR STRUCTURAL AND SHEET METAL ATTACHMENT.
  - TOLERANCE: FLOOR TO CEILING VARIANCE MUST BE WITHIN +/- 1/2" ACROSS LENGTH OF MACHINE..
  - ORDER LENGTHS TO BE AT 1/4" INCREMENTS ONLY.
  - DIMENSIONS TO NOT INCLUDE HEADS OF EXTERNAL FASTENERS.

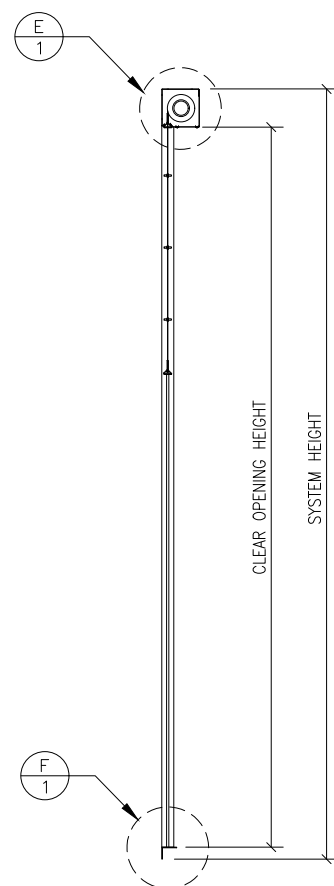
- MODEL SPECIFIC NOTES:
- STRUCTURAL DESIGN TO USE LOADS OF 12 LBS/FT
  - STRUCTURAL ATTACHMENT TO BE WITHIN 6" OF EACH END AND MAX OF 36" ON CENTER. (2) SCREWS PER LOCATION, DRILLING REQUIRED ON SITE.



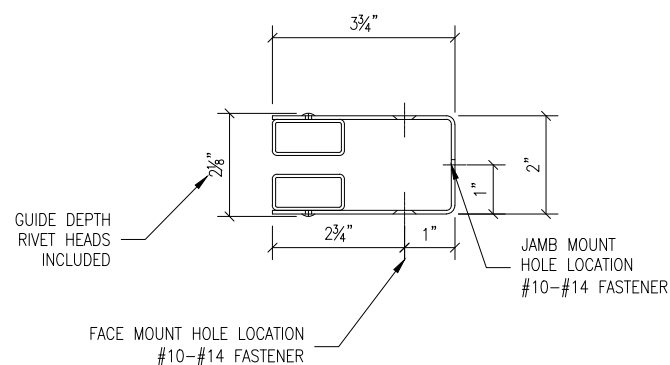
**A** M1000 ELEVATION  
SCALE: 3/8" = 1'-0"



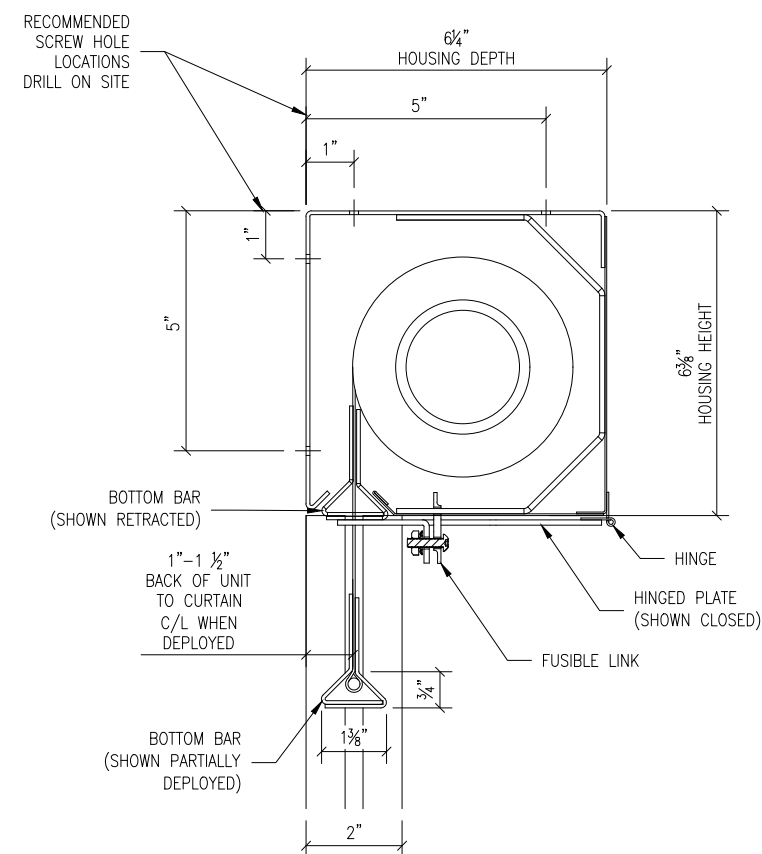
**B** PLAN SECTION  
SCALE: 3/8" = 1'-0"



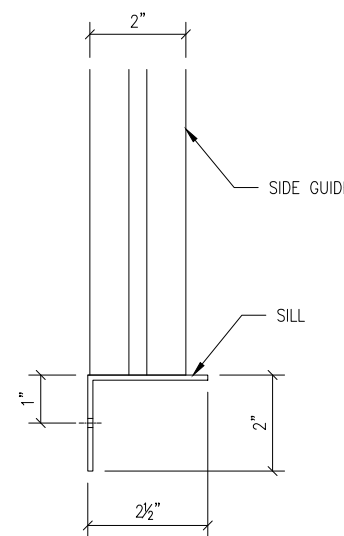
**C** ELEVATION SECTION  
SCALE: 3/8" = 1'-0"



**D** DETAIL D: SIDE GUIDE  
SCALE: 3" = 1'-0"



**E** DETAIL E: HOUSING  
SCALE: 3" = 1'-0"



**F** DETAIL F: BOTTOM SILL  
SCALE: 3" = 1'-0"

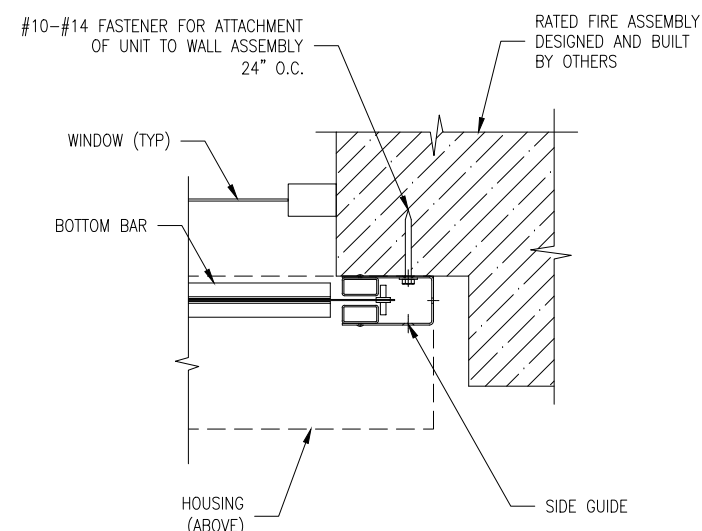
| REVISION        |               |                      |
|-----------------|---------------|----------------------|
| REVISION NUMBER | REVISION DATE | REVISION DESCRIPTION |
| 01              | 9.17.19       | INITIAL RELEASE      |
|                 |               |                      |
|                 |               |                      |

QUOTE:  
CONFIGURATION:  
PROJECT:  
DIST.:

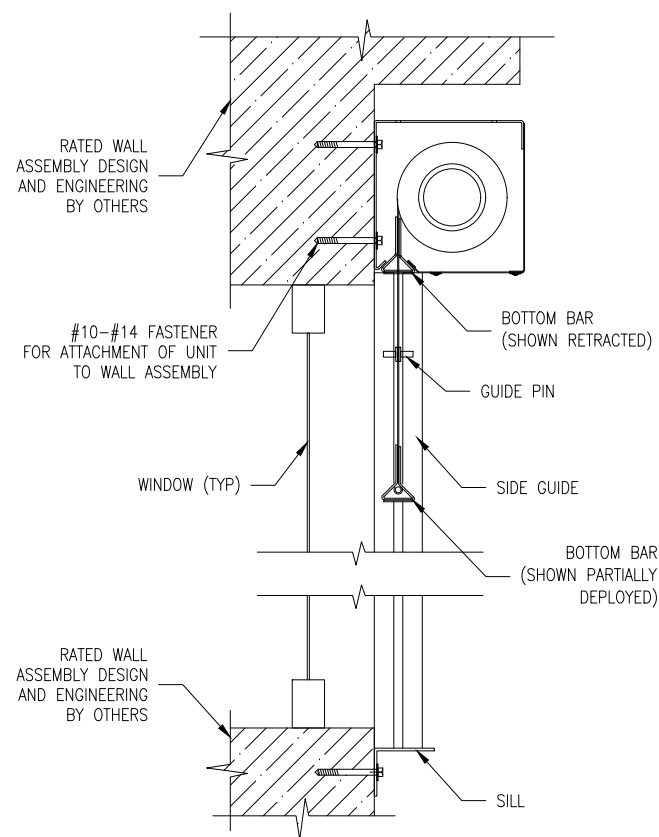
|                          |                  |
|--------------------------|------------------|
| DESIGN SET: D1           | SIZE<br><b>B</b> |
| MODEL: M1000             | SHEET<br>1 OF 5  |
| ELEVATION AND PLAN VIEWS |                  |
| DRAWN: LPK               | 9.17.2019        |

- GENERAL NOTES:
- SMOKE GUARD FIRE RATED UNITS (HOUSINGS & SIDE GUIDES) TO BE MOUNTED TO A FINISHED, FIRE RATED ASSEMBLY OR STRUCTURE PER YOUR APPLICATION.
  - CLIENT TO PROVIDE CONTINUOUS MOUNTING SURFACE FOR STRUCTURAL AND SHEET METAL ATTACHMENT.
  - TOLERANCE: FLOOR TO CEILING VARIANCE MUST BE WITHIN  $\pm 1/2"$  ACROSS LENGTH OF MACHINE.
  - ORDER LENGTHS TO BE AT  $1/4"$  INCREMENTS ONLY.
  - DIMENSIONS TO NOT INCLUDE HEADS OF EXTERNAL FASTENERS.

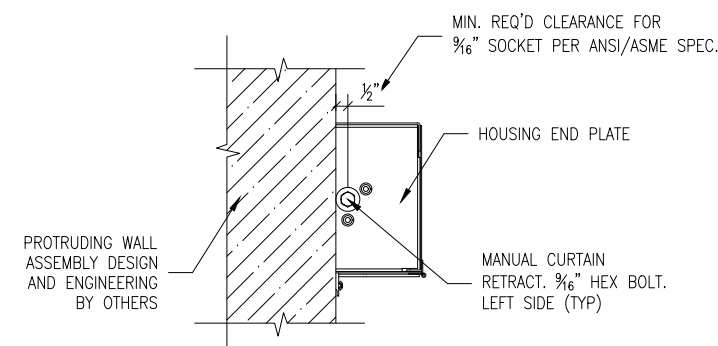
- MODEL SPECIFIC NOTES:
- STRUCTURAL DESIGN TO USE LOADS OF 12 LBS/FT
  - STRUCTURAL ATTACHMENT TO BE WITHIN 6" OF EACH END AND MAX OF 36" ON CENTER. (2) SCREWS PER LOCATION, DRILLING REQUIRED ON SITE.



**A** SIDE GUIDE FACE MOUNT  
AS TESTED (TYP)  
SCALE: 1 1/2" = 1'-0"



**B** HOUSING FACE MOUNT  
AS TESTED (TYP)  
SCALE: 1 1/2" = 1'-0"



**C** REQUIRED CLEARANCE  
TO REWIND BOLT  
SCALE: 1 1/2" = 1'-0"

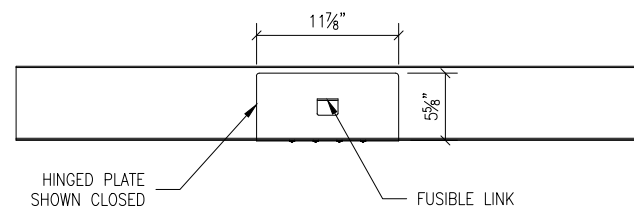
| REVISION        |               |                      |
|-----------------|---------------|----------------------|
| REVISION NUMBER | REVISION DATE | REVISION DESCRIPTION |
| 01              | 9.17.19       | INITIAL RELEASE      |
|                 |               |                      |
|                 |               |                      |

QUOTE:  
CONFIGURATION:  
PROJECT:  
DIST.:

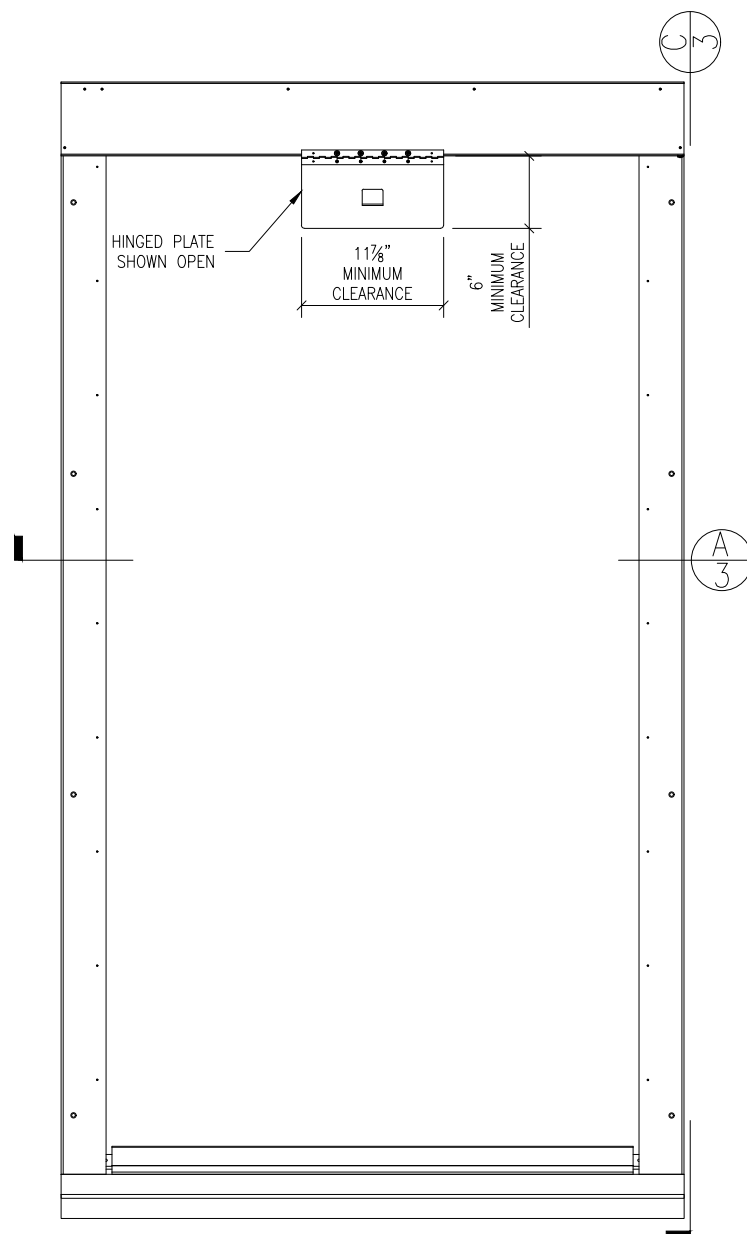
|                       |                  |
|-----------------------|------------------|
| DESIGN SET: D1        | SIZE<br><b>B</b> |
| MODEL: M1000          | SHEET<br>2 OF 5  |
| MOUNTING DETAIL VIEWS |                  |
| DRAWN: LPK            | 9.17.2019        |

- GENERAL NOTES:
- SMOKE GUARD FIRE RATED UNITS (HOUSINGS & SIDE GUIDES) TO BE MOUNTED TO A FINISHED, FIRE RATED ASSEMBLY OR STRUCTURE PER YOUR APPLICATION.
  - CLIENT TO PROVIDE CONTINUOUS MOUNTING SURFACE FOR STRUCTURAL AND SHEET METAL ATTACHMENT.
  - TOLERANCE: FLOOR TO CEILING VARIANCE MUST BE WITHIN +/- 1/2" ACROSS LENGTH OF MACHINE..
  - ORDER LENGTHS TO BE AT 1/4" INCREMENTS ONLY.
  - DIMENSIONS TO NOT INCLUDE HEADS OF EXTERNAL FASTENERS.

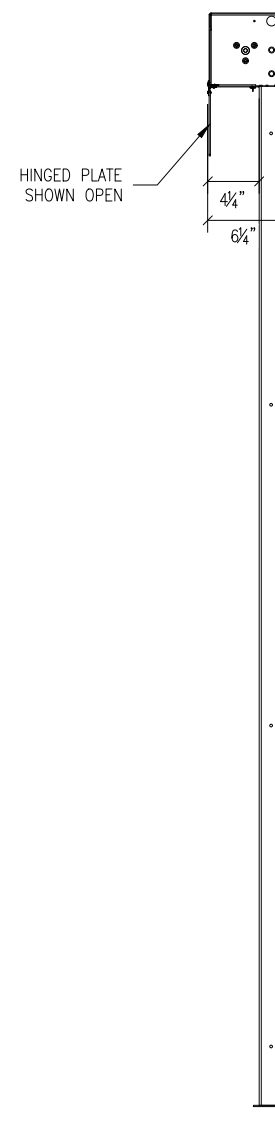
- MODEL SPECIFIC NOTES:
- STRUCTURAL DESIGN TO USE LOADS OF 12 LBS/FT
  - STRUCTURAL ATTACHMENT TO BE WITHIN 6" OF EACH END AND MAX OF 36" ON CENTER. (2) SCREWS PER LOCATION, DRILLING REQUIRED ON SITE.



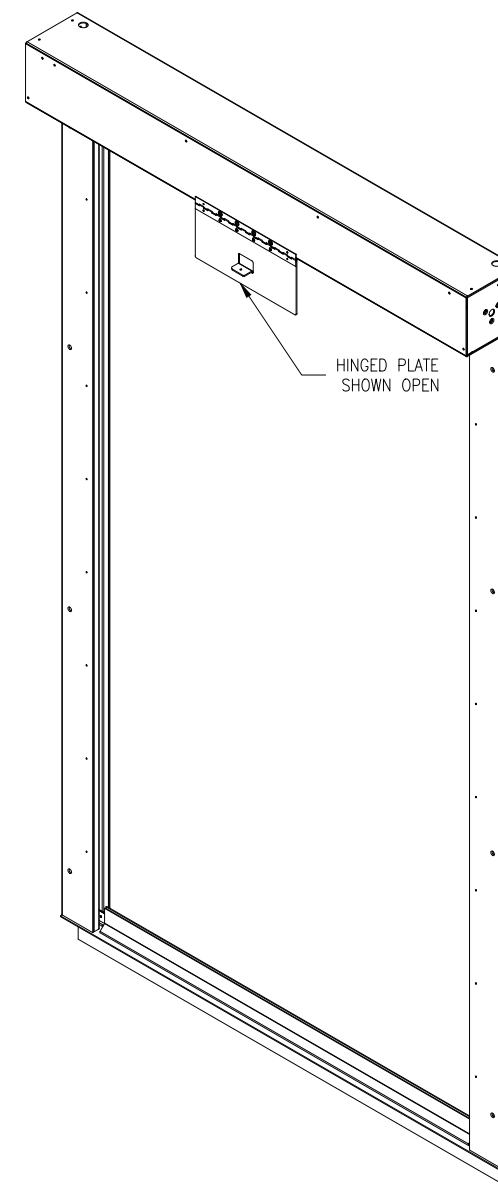
**A** M1000 REFLECTED CEILING PLAN  
SCALE: 3/4" = 1'-0"



**B** M1000 FRONT VIEW  
SCALE: 3/4" = 1'-0"



**C** M1000 SIDE VIEW  
SCALE: 3/4" = 1'-0"



**D** M1000 ISOMETRIC DETAIL  
SCALE: 3/4" = 1'-0"

| REVISION        |               |                      |
|-----------------|---------------|----------------------|
| REVISION NUMBER | REVISION DATE | REVISION DESCRIPTION |
| 01              | 9.17.19       | INITIAL RELEASE      |
|                 |               |                      |
|                 |               |                      |

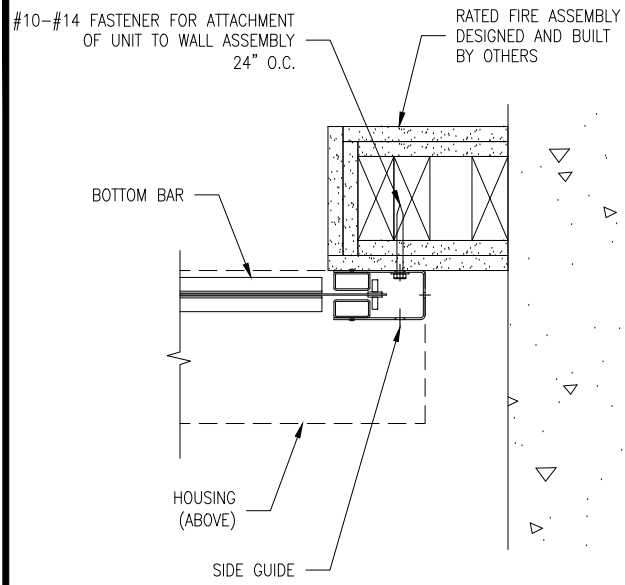
QUOTE:  
CONFIGURATION:  
PROJECT:  
DIST.:

|                  |                  |
|------------------|------------------|
| DESIGN SET: D1   | SIZE<br><b>B</b> |
| MODEL: M1000     | SHEET<br>3 OF 5  |
| HINGE CLEARANCES |                  |
| DRAWN: LPK       | 9.17.2019        |

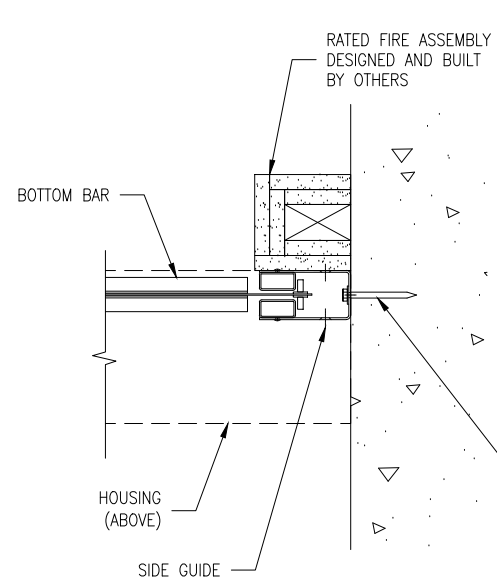
- GENERAL NOTES:
- SMOKE GUARD FIRE RATED UNITS (HOUSINGS & SIDE GUIDES) TO BE MOUNTED TO A FINISHED, FIRE RATED ASSEMBLY OR STRUCTURE PER YOUR APPLICATION.
  - CLIENT TO PROVIDE CONTINUOUS MOUNTING SURFACE FOR STRUCTURAL AND SHEET METAL ATTACHMENT.
  - TOLERANCE: FLOOR TO CEILING VARIANCE MUST BE WITHIN +/- 1/2" ACROSS LENGTH OF MACHINE.
  - ORDER LENGTHS TO BE AT 1/4" INCREMENTS ONLY.
  - DIMENSIONS TO NOT INCLUDE HEADS OF EXTERNAL FASTENERS.

- MODEL SPECIFIC NOTES:
- STRUCTURAL DESIGN TO USE LOADS OF 12 LBS/FT
  - STRUCTURAL ATTACHMENT TO BE WITHIN 6" OF EACH END AND MAX OF 36" ON CENTER. (2) SCREWS PER LOCATION, DRILLING REQUIRED ON SITE.

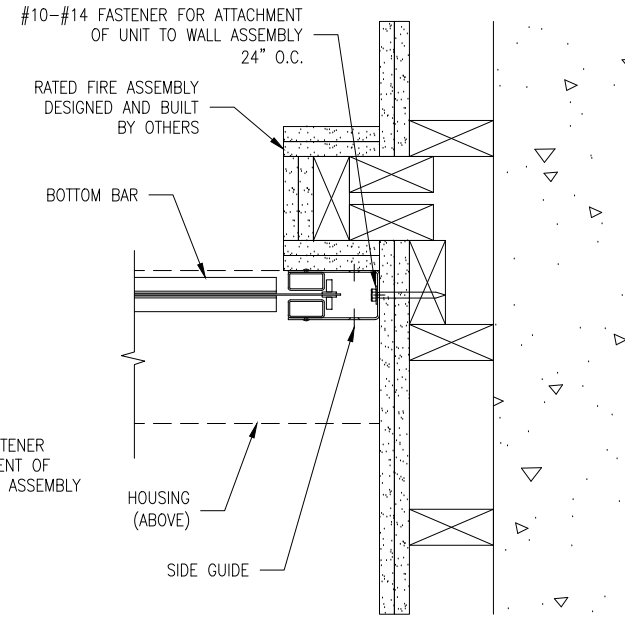
\* SHOWN DOUBLE LAYER (2HR) USE PROPER LAYERING FOR YOUR FIRE APPLICATION



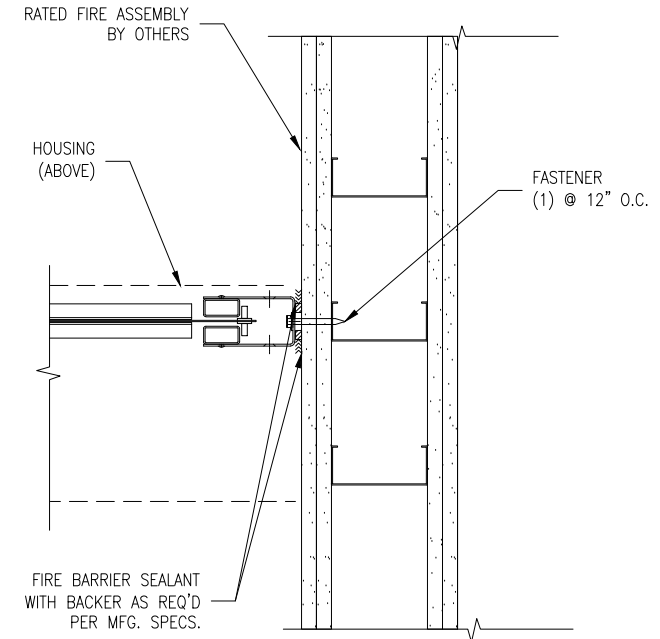
8 SIDE GUIDE AS TESTED-FACE MOUNT  
SCALE: 1 1/2" = 1'-0"



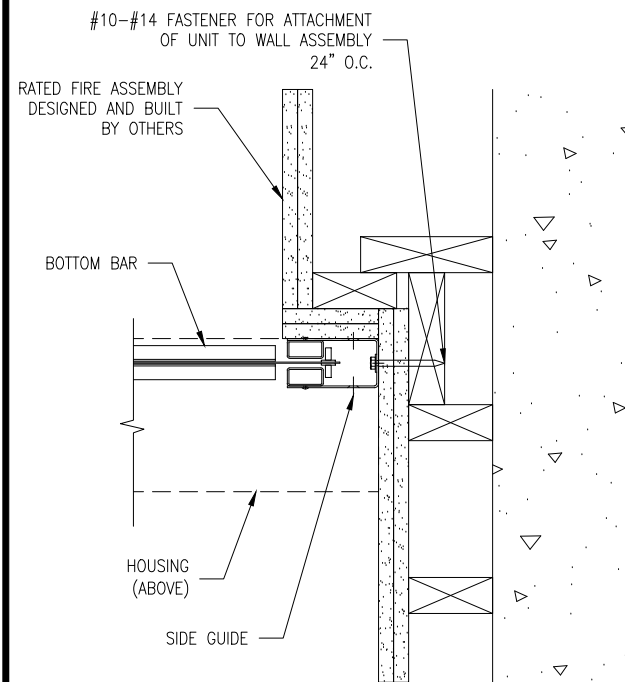
6 SIDE GUIDE DETAIL - DIRECT JAMB, APPLIED BUMP OUT  
SCALE: 1 1/2" = 1'-0"



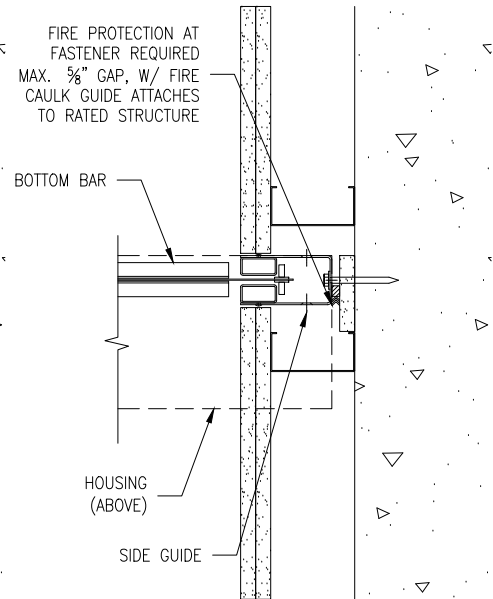
4 SIDE GUIDE DETAIL - JAMB MOUNT, APPLIED BUMP OUT  
SCALE: 1 1/2" = 1'-0"



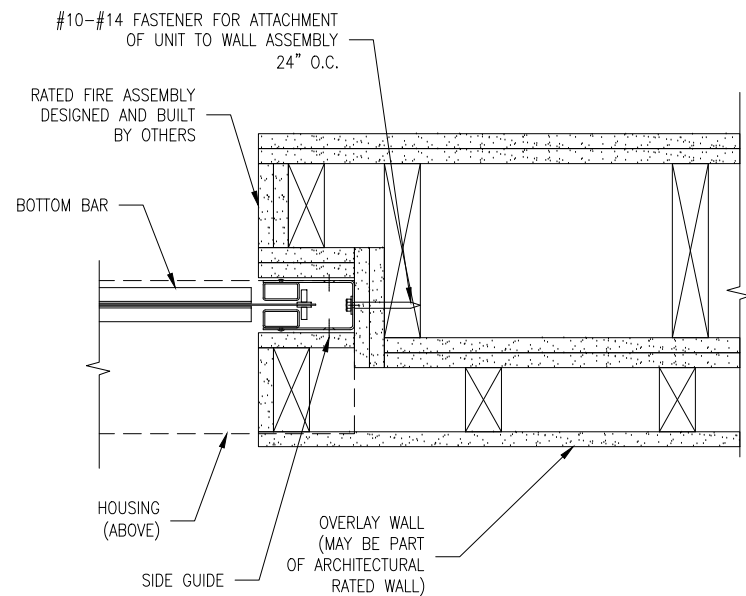
2 SIDE GUIDE DETAIL - JAMB MOUNT  
SCALE: 1 1/2" = 1'-0"



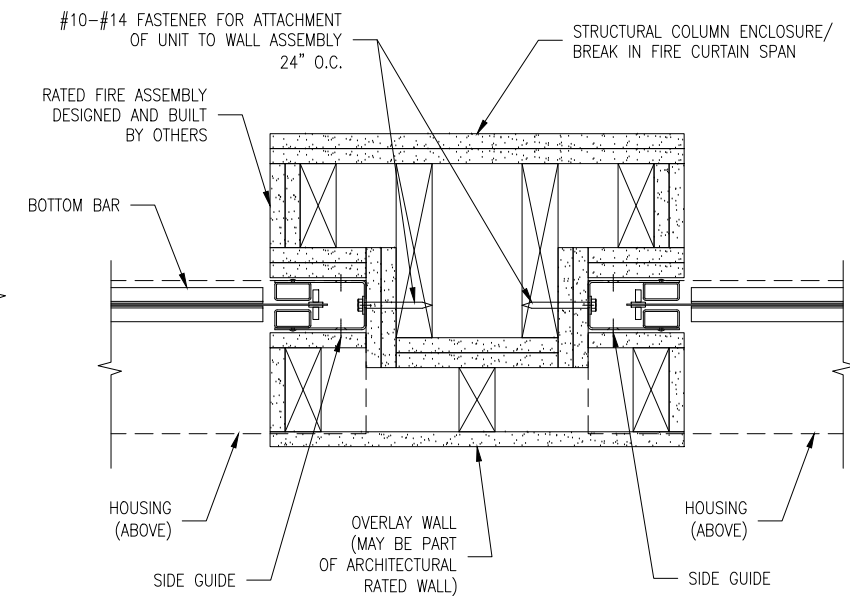
7 SIDE GUIDE DETAIL - JAMB MOUNT, STAGGERED ASSEMBLY  
SCALE: 1 1/2" = 1'-0"



5 SIDE GUIDE DETAIL - JAMB MOUNT PERPENDICULAR TO WALL  
SCALE: 1 1/2" = 1'-0"



3 SIDE GUIDE DETAIL - JAMB MOUNT, STAGGERED ASSEMBLY INLINE W/WALL NON-RATED OVERLAY  
SCALE: 1 1/2" = 1'-0"



1 SIDE GUIDE DETAIL - JAMB MOUNT, STAGGERED ASSEMBLY INLINE W/WALL NON-RATED OVERLAY COLUMN ENCLOSURE  
SCALE: 1 1/2" = 1'-0"

FIRE RATED

REVISION

| REVISION NUMBER | REVISION DATE | REVISION DESCRIPTION |
|-----------------|---------------|----------------------|
| 01              | 9.17.19       | INITIAL RELEASE      |
|                 |               |                      |
|                 |               |                      |

QUOTE:  
CONFIGURATION:  
PROJECT:  
DIST.:

DESIGN SET: D1

MODEL: M1000

SIDE GUIDE  
DETAILS

DRAWN: LPK 9.17.2019

SIZE

B

SHEET

4 OF 5

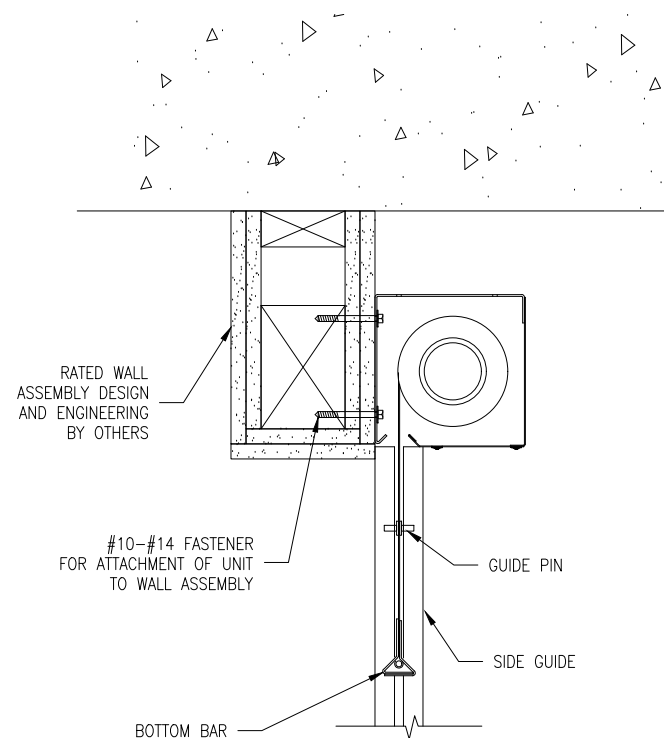
GENERAL NOTES:

1. SMOKE GUARD FIRE RATED UNITS (HOUSINGS & SIDE GUIDES) TO BE MOUNTED TO A FINISHED, FIRE RATED ASSEMBLY OR STRUCTURE PER YOUR APPLICATION.
2. CLIENT TO PROVIDE CONTINUOUS MOUNTING SURFACE FOR STRUCTURAL AND SHEET METAL ATTACHMENT.
3. TOLERANCE: FLOOR TO CEILING VARIANCE MUST BE WITHIN +/- 1/2" ACROSS LENGTH OF MACHINE..
4. ORDER LENGTHS TO BE AT 1/4" INCREMENTS ONLY.
5. DIMENSIONS TO NOT INCLUDE HEADS OF EXTERNAL FASTENERS.

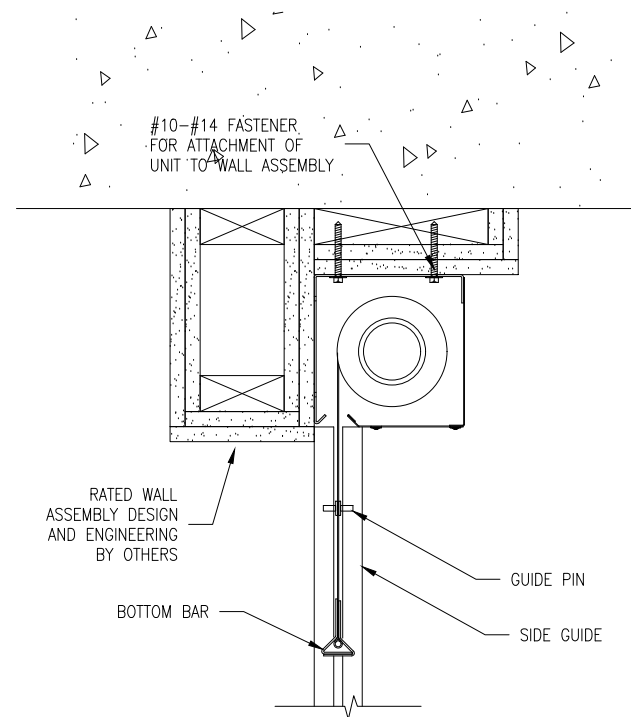
MODEL SPECIFIC NOTES:

1. STRUCTURAL DESIGN TO USE LOADS OF 12 LBS/FT
2. STRUCTURAL ATTACHMENT TO BE WITHIN 6" OF EACH END AND MAX OF 36" ON CENTER. (2) SCREWS PER LOCATION, DRILLING REQUIRED ON SITE.

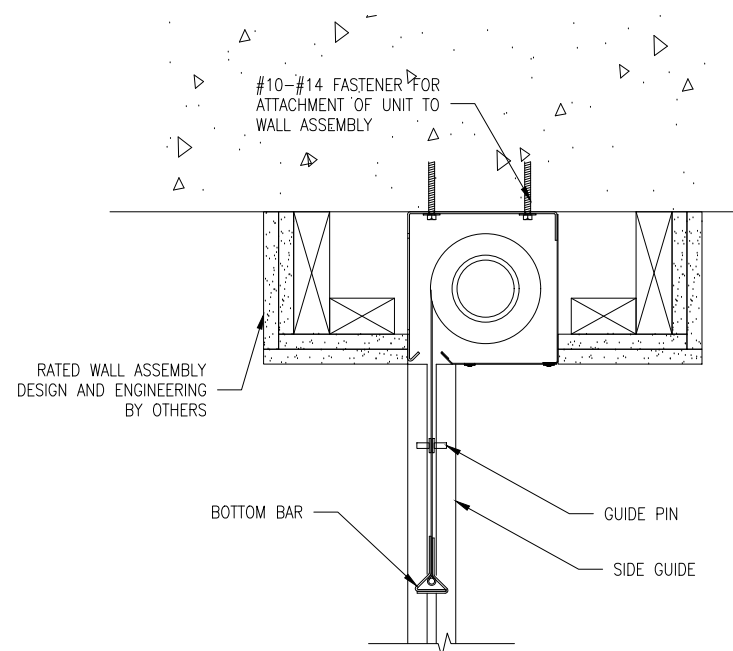
\* SHOWN DOUBLE LAYER (2HR) USE PROPER LAYERING FOR YOUR FIRE APPLICATION



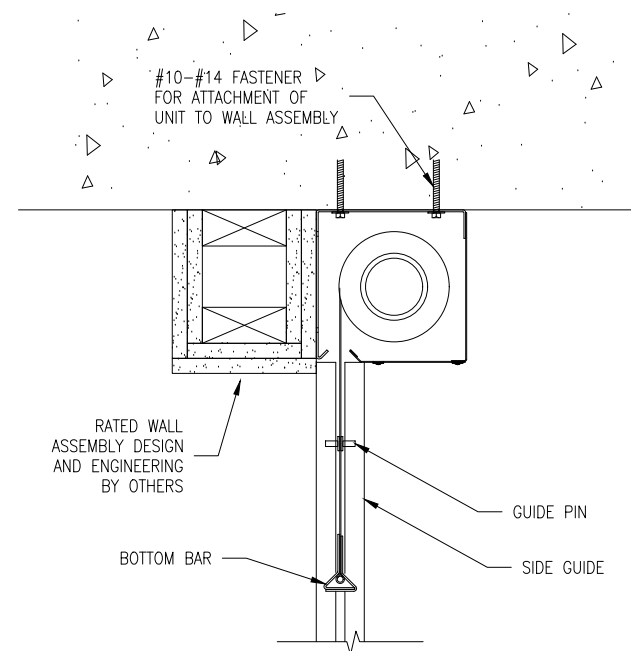
3 HEADBOX  
FACE MOUNT  
SCALE: 1 1/2" = 1'-0"



1 HEADBOX AS TESTED  
TOP MOUNT  
SCALE: 1 1/2" = 1'-0"



4 TOP MOUNT W/  
FLUSH COVER  
SCALE: 1 1/2" = 1'-0"



2 HEADBOX  
TOP MOUNT TO DECK  
SCALE: 1 1/2" = 1'-0"

FIRE RATED

| REVISION        |               |                      |
|-----------------|---------------|----------------------|
| REVISION NUMBER | REVISION DATE | REVISION DESCRIPTION |
| 01              | 9.17.19       | INITIAL RELEASE      |
|                 |               |                      |
|                 |               |                      |

QUOTE:  
CONFIGURATION:  
PROJECT:  
DIST.:

DESIGN SET: D1

MODEL: M1000

HEAD DETAILS

DRAWN: LPK 9.17.2019

SIZE

B

SHEET

5 OF 5