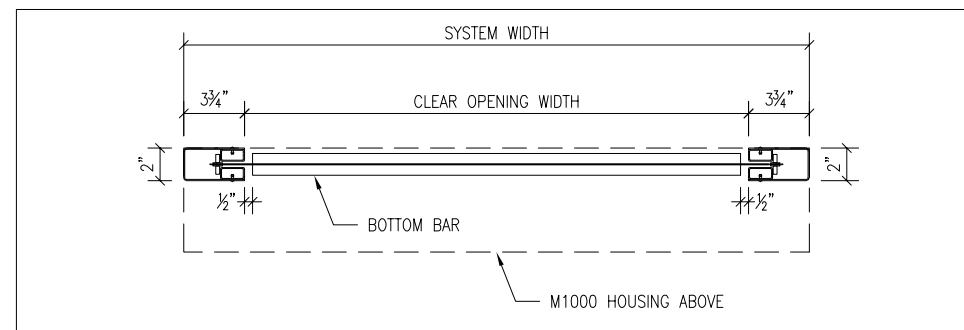
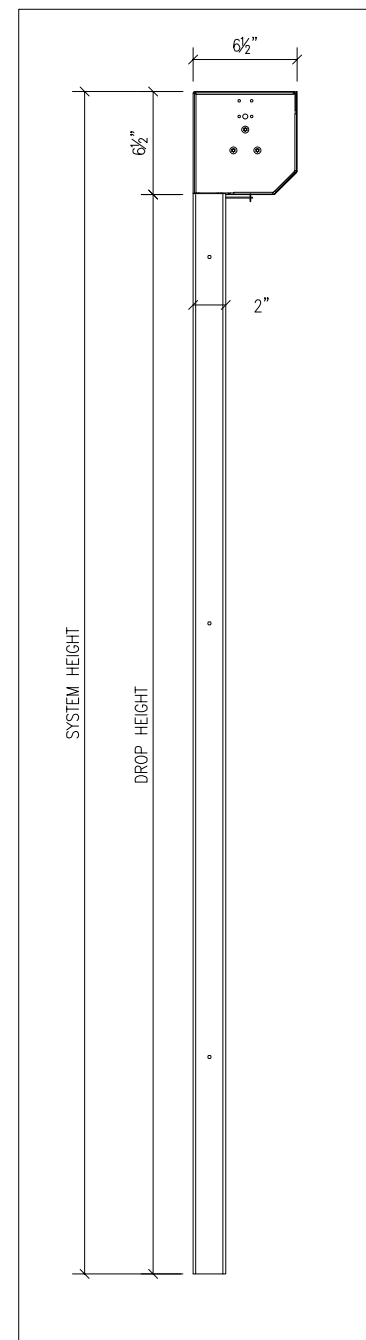


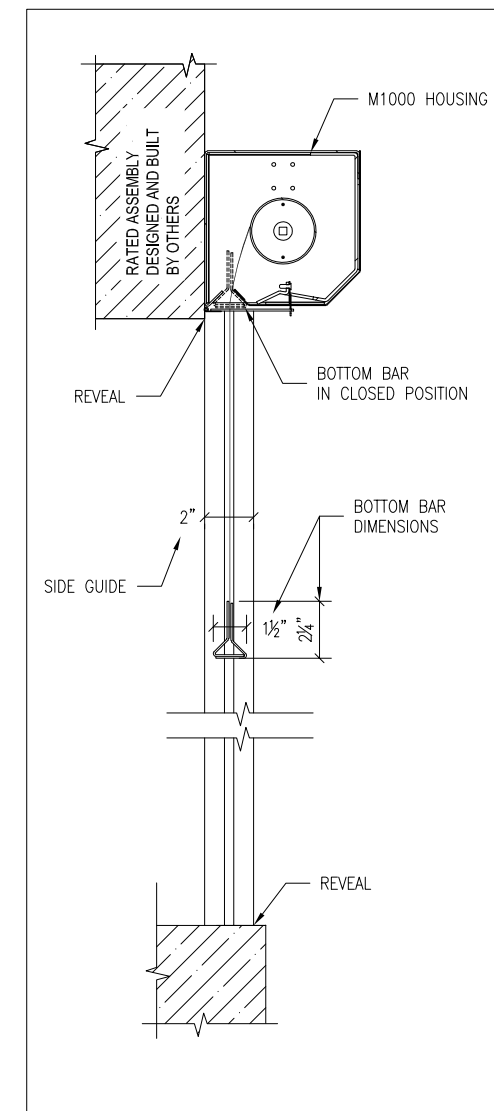
1 M1000 ELEVATION
SCALE: 1" = 1'-0"



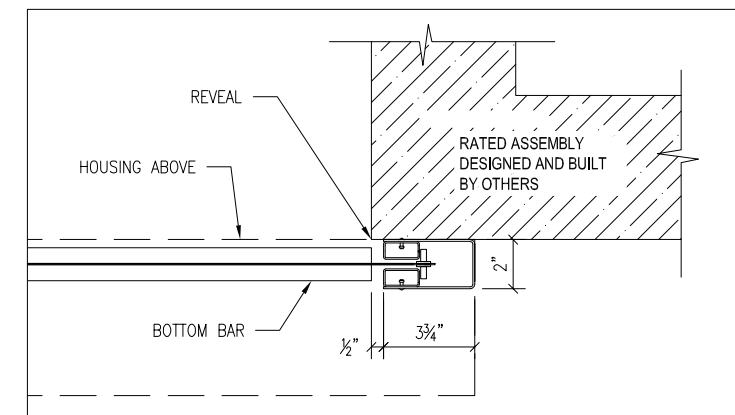
2 M1000 PLAN
SCALE: 1" = 1'-0"



3 M1000 SECTION
SCALE: 1" = 1'-0"



4 M1000 HEAD DETAIL
SCALE: 1 1/2" = 1'-0"



5 M1000 GUIDE DETAIL
SCALE: 1 1/2" = 1'-0"



287 N. Maple Grove
Boise, ID 83704
800.574.0330
www.smokeguard.com

- GENERAL NOTES:
1. SMOKE GUARD FIRE RATED UNITS (HOUSINGS & SIDE GUIDES) TO BE MOUNTED TO A FINISHED, FIRE RATED ASSEMBLY OR STRUCTURE PER YOUR APPLICATION.
 2. CLIENT TO PROVIDE CONTINUOUS MOUNTING SURFACE FOR STRUCTURAL AND SHEET METAL ATTACHMENT.
 3. TOLERANCE: FLOOR TO CEILING VARIANCE MUST BE WITHIN +/- 1/2" ACROSS LENGTH OF MACHINE..
 4. ORDER LENGTHS TO BE AT 1/4" INCREMENTS ONLY.
 5. DIMENSIONS TO NOT INCLUDE HEADS OF EXTERNAL FASTENERS.
 6. 14 GA. STEEL HOUSING

REVISION

REVISION NUMBER	REVISION DATE	REVISION DESCRIPTION
D1	7.26.18	INITIAL RELEASE

QUOTE:
CONFIGURATION:
PROJECT:
DIST.:

DESIGN SET: D1

MODEL: M1000

SHEET TITLE:
M1000 GENERIC DESIGN DETAILS

DRAWN: RB 7.26.2018

SIZE
B

SHEET

1 OF 1