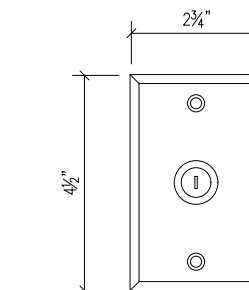
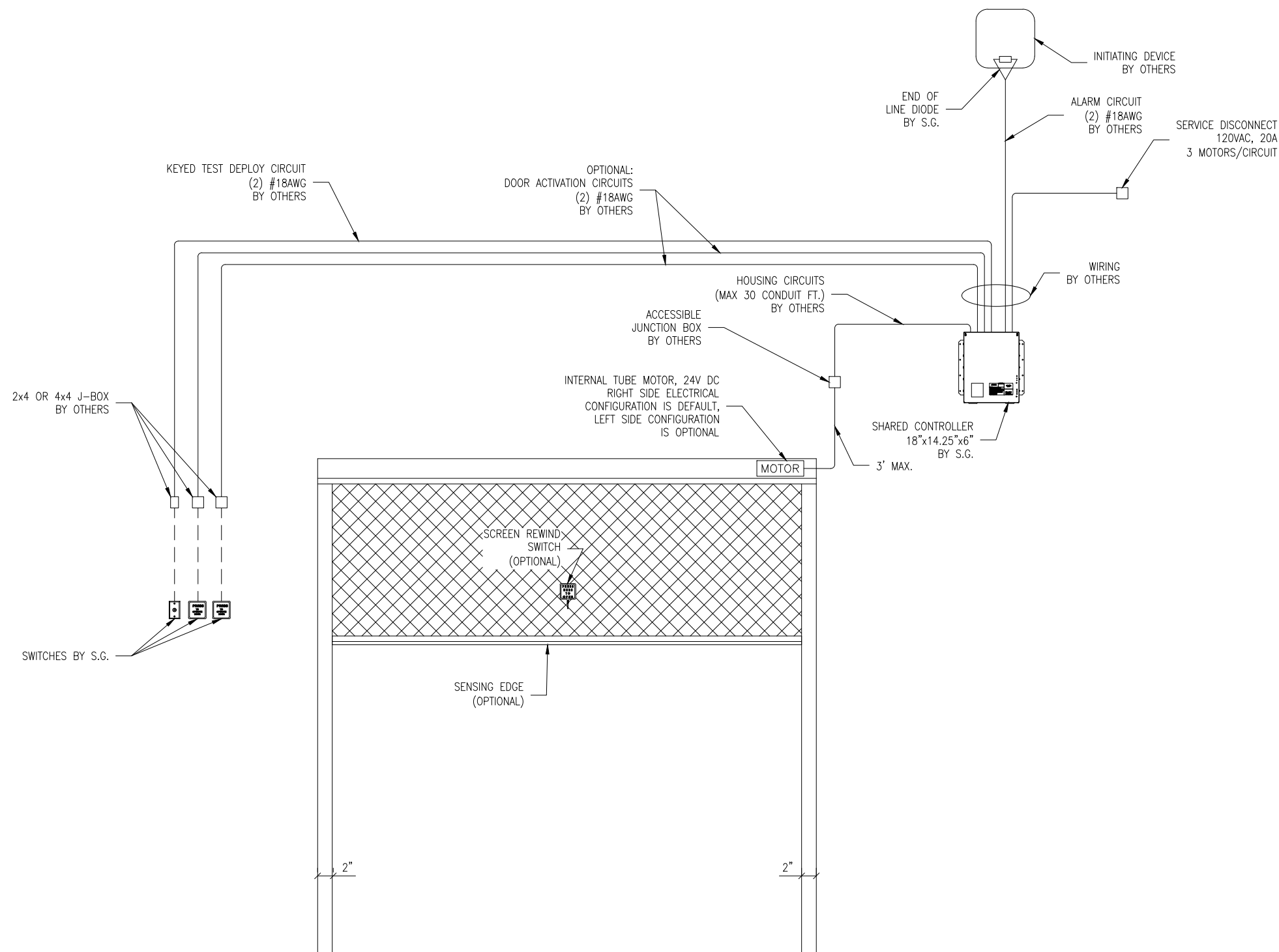
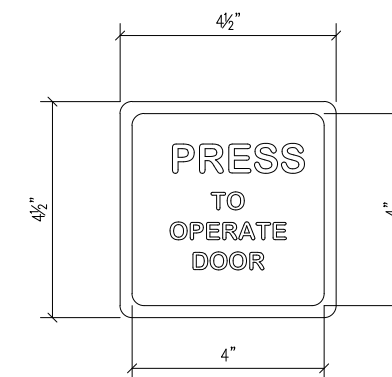


- GENERAL NOTES:
- SMOKE GUARD TO PROVIDE:
    - MAIN CONTROLLER STATION
    - END-OF-LINE DIODE
  - ALL REMAINING ELECTRICAL BY OTHERS.
  - DEFAULT LOCATION OF MAIN MOTOR IS RIGHT SIDE VIEWED FROM FRONT ELEVATION. LEFT SIDE IS OPTIONAL UPON REQUEST.
  - CONTROLLER DIMENSIONS ARE 18"x14.25"x 6", REFER TO SUPPLEMENTARY DOCUMENTATION FOR WIRING SPECIFICS & MOUNTING DETAILS.



1  
DETAIL: KEYED TEST DEPLOY SWITCH  
SCALE: 3" = 1'-0"



2  
DETAIL: DOOR ACTIVATION SWITCH  
SCALE: 3" = 1'-0"

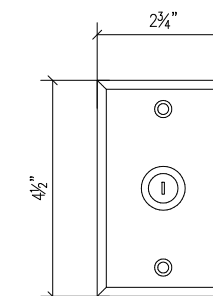
A ELECTRICAL DIAGRAM  
SCALE: 3/8" = 1'-0"

REVISION		
REVISION NUMBER	REVISION DATE	REVISION DESCRIPTION
01	9.17.19	INITIAL RELEASE

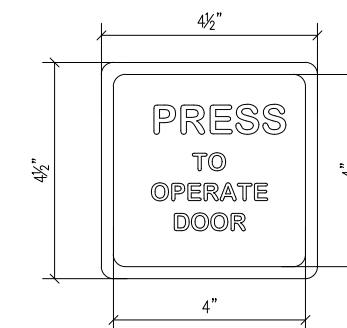
QUOTE:  
CONFIGURATION:  
PROJECT:  
DIST.:

DESIGN SET: D1	SIZE <b>B</b>
MODEL: M2100	SHEET
ELECTRICAL DIAGRAM SINGLE CONTROLLER	DD4/4
DRAWN: TM	9.17.2019

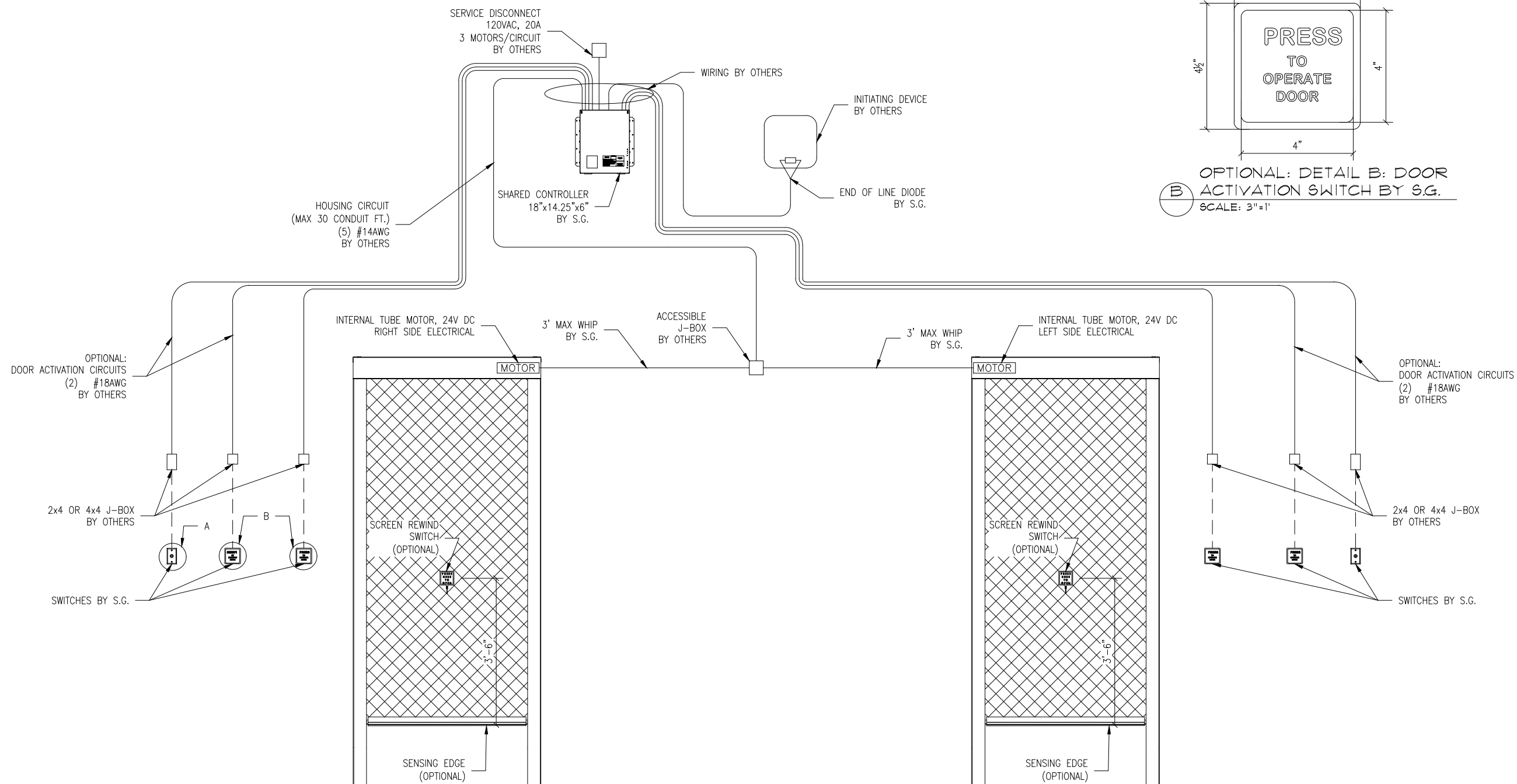
- GENERAL NOTES:
- SMOKE GUARD TO PROVIDE:
    - MAIN CONTROLLER STATION
    - END-OF-LINE DIODE
  - ALL REMAINING ELECTRICAL BY OTHERS.
  - DEFAULT LOCATION OF MAIN MOTOR IS RIGHT SIDE VIEWED FROM FRONT ELEVATION. LEFT SIDE IS OPTIONAL UPON REQUEST.
  - CONTROLLER DIMENSIONS ARE 18"x14.25"x 6", REFER TO SUPPLEMENTARY DOCUMENTATION FOR WIRING SPECIFICS & MOUNTING DETAILS.



**A** DETAIL A: KEYED TEST DEPLOY SWITCH BY S.G.  
SCALE: 3"=1"



**B** OPTIONAL: DETAIL B: DOOR ACTIVATION SWITCH BY S.G.  
SCALE: 3"=1"



**1** M2100 SHARED CONTROLLER  
SCALE: 3/8" = 1'-0"

REVISION

REVISION NUMBER	REVISION DATE	REVISION DESCRIPTION
01	9.17.19	INITIAL RELEASE

QUOTE:  
CONFIGURATION:  
PROJECT:  
DIST.:

DESIGN SET: D1	SIZE <b>B</b>
MODEL: M2100	SHEET
ELECTRICAL DIAGRAM SHARED CONTROLLER	
DRAWN: TM	9.17.2019

PAPER SIZE: 11" X 17"