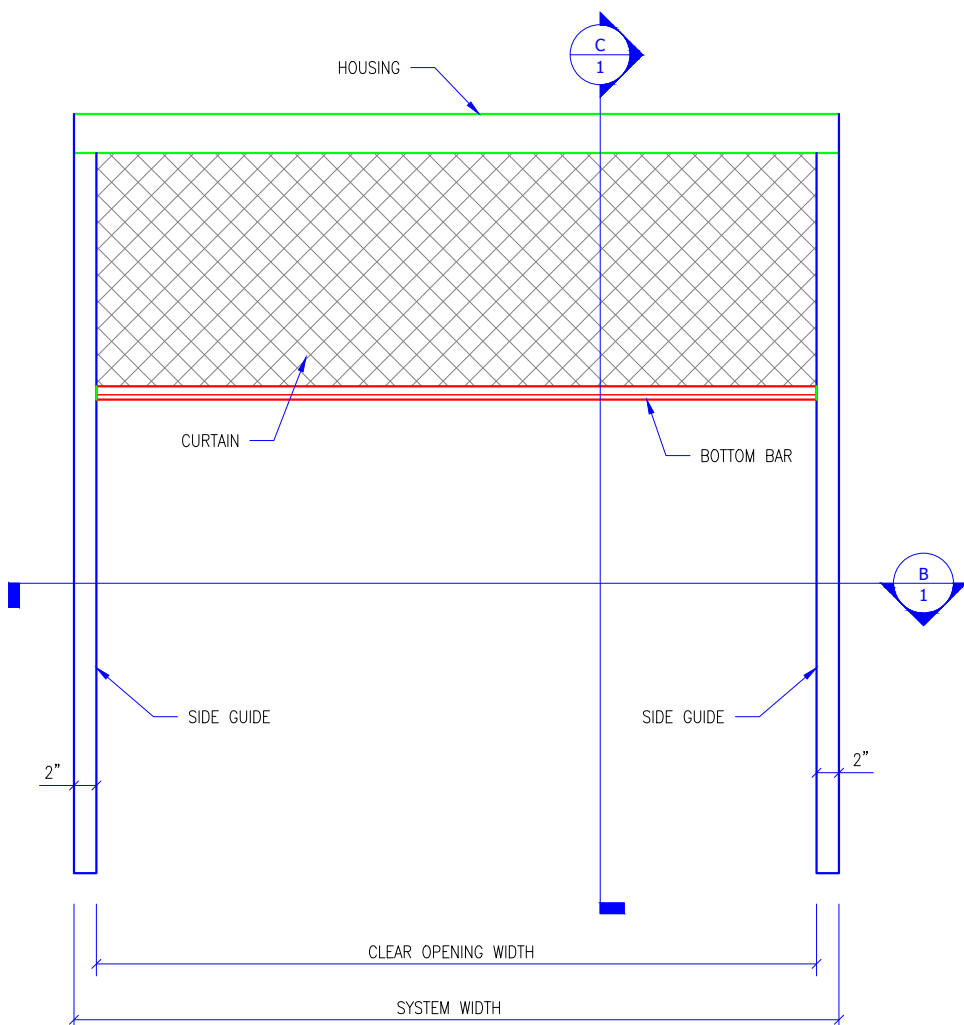
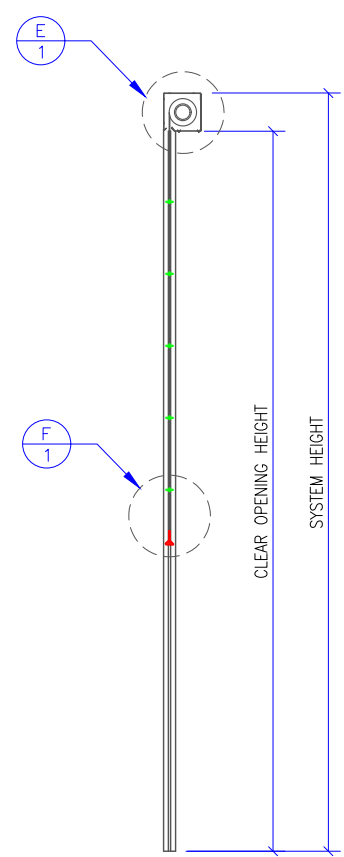


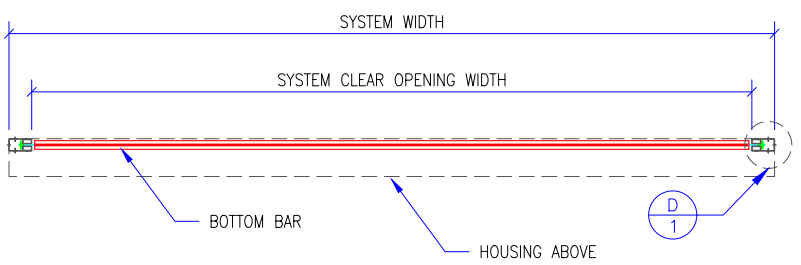
- GENERAL NOTES:
- SMOKE GUARD FIRE RATED UNITS (HOUSINGS & SIDE GUIDES) TO BE MOUNTED TO A FINISHED, FIRE RATED ASSEMBLY OR STRUCTURE PER YOUR APPLICATION.
 - CLIENT TO PROVIDE CONTINUOUS MOUNTING SURFACE FOR STRUCTURAL AND SHEET METAL ATTACHMENT.
 - TOLERANCE: FLOOR TO CEILING VARIANCE MUST BE WITHIN $\pm 1/2"$ ACROSS LENGTH OF MACHINE..
 - ORDER LENGTHS TO BE AT $1/4"$ INCREMENTS ONLY.
 - DIMENSIONS TO NOT INCLUDE HEADS OF EXTERNAL FASTENERS.



A ELEVATION
SCALE: 3/8" = 1'-0"

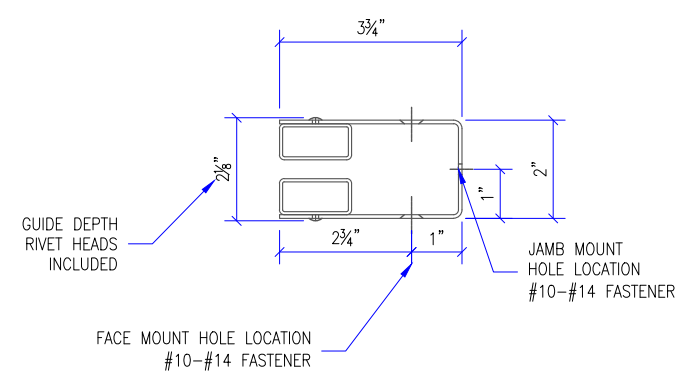


C ELEVATION SECTION
SCALE: 3/8" = 1'-0"

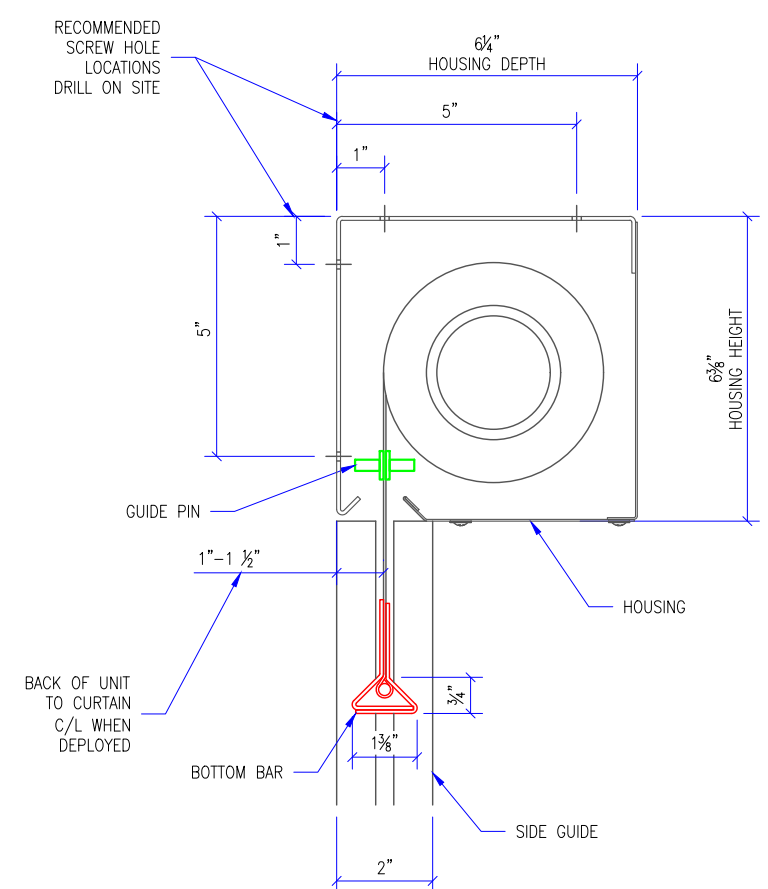


B PLAN SECTION
SCALE: 3/8" = 1'-0"

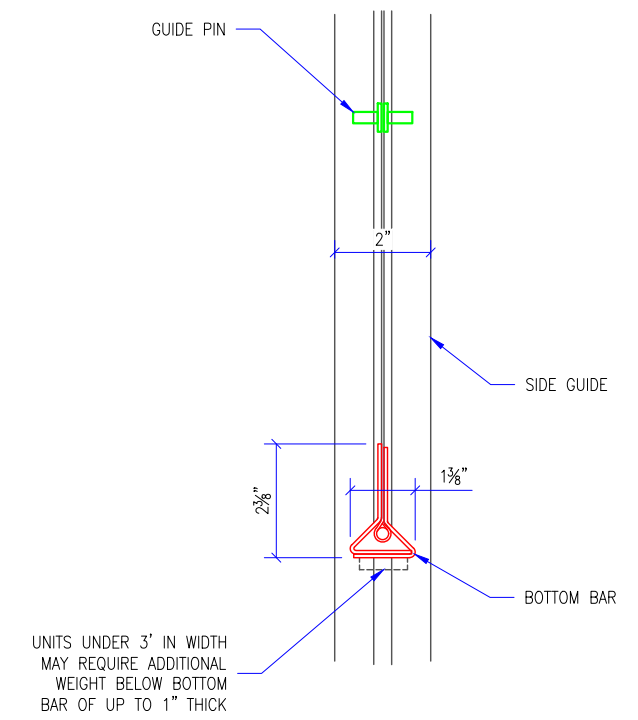
20"x20" ACCESS PANEL REQ'D FOR LOWERED HARD CEILING



D DETAIL D: SIDE GUIDE
SCALE: 3" = 1'-0"



E DETAIL E: HOUSING
SCALE: 3" = 1'-0"



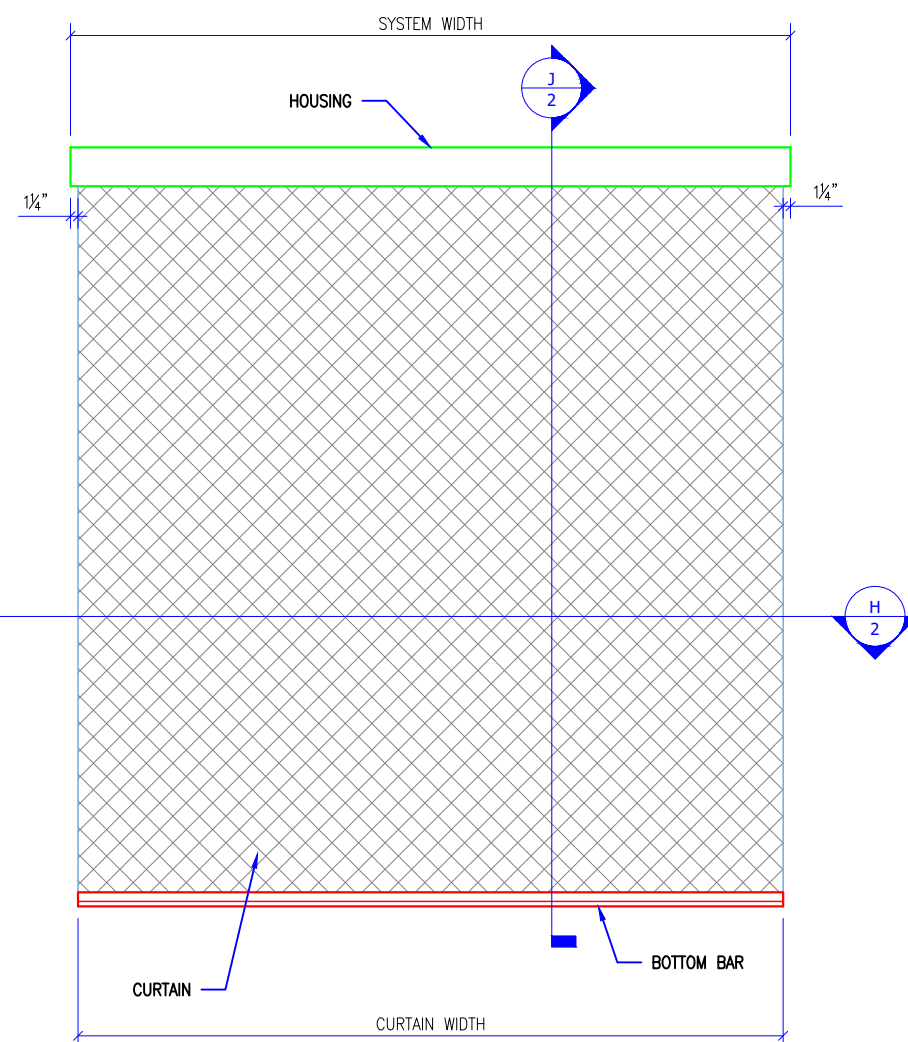
F DETAIL F: BOTTOM BAR
SCALE: 3" = 1'-0"

REVISION		
REVISION NUMBER	REVISION DATE	REVISION DESCRIPTION
01	2.4.19	INITIAL RELEASE

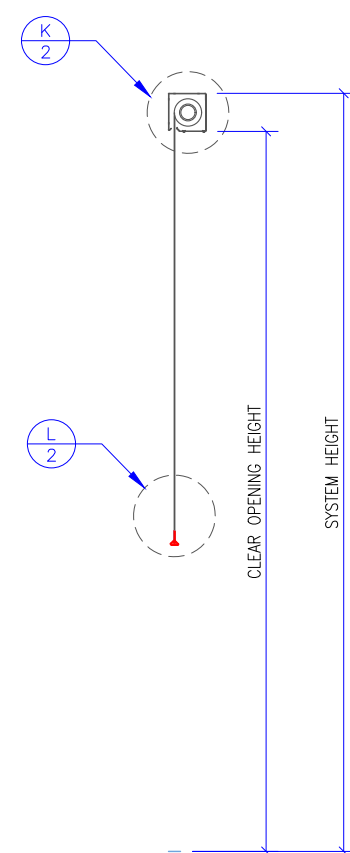
QUOTE:
CONFIGURATION:
PROJECT:
DIST.:

DESIGN SET: D1	SIZE B
MODEL: 2100	SHEET
M2100 ELEVATION PLAN AND SECTION	DD1/4
DRAWN: TM	2.5.2019

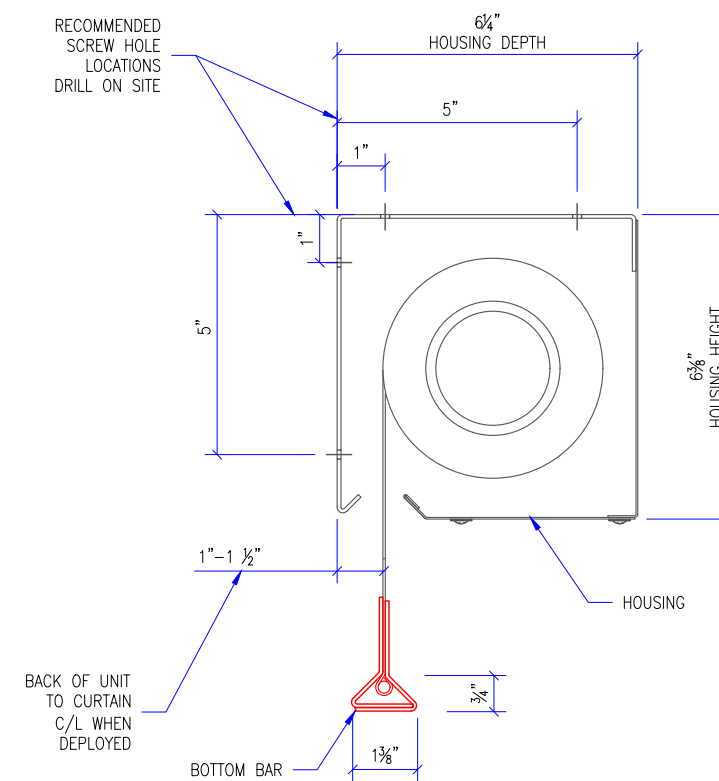
- GENERAL NOTES:
- SMOKE GUARD FIRE RATED UNITS (HOUSINGS & SIDE GUIDES) TO BE MOUNTED TO A FINISHED, FIRE RATED ASSEMBLY OR STRUCTURE PER YOUR APPLICATION.
 - CLIENT TO PROVIDE CONTINUOUS MOUNTING SURFACE FOR STRUCTURAL AND SHEET METAL ATTACHMENT.
 - TOLERANCE: FLOOR TO CEILING VARIANCE MUST BE WITHIN $\pm 1/2"$ ACROSS LENGTH OF MACHINE.
 - ORDER LENGTHS TO BE AT $1/4"$ INCREMENTS ONLY.
 - DIMENSIONS TO NOT INCLUDE HEADS OF EXTERNAL FASTENERS.



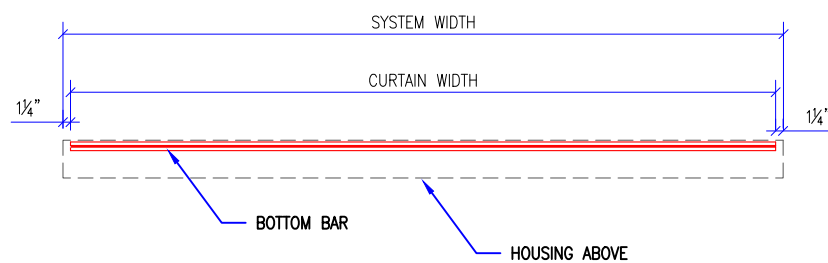
G ELEVATION
SCALE: 3/8" = 1'-0"



J ELEVATION SECTION
SCALE: 3/8" = 1'-0"

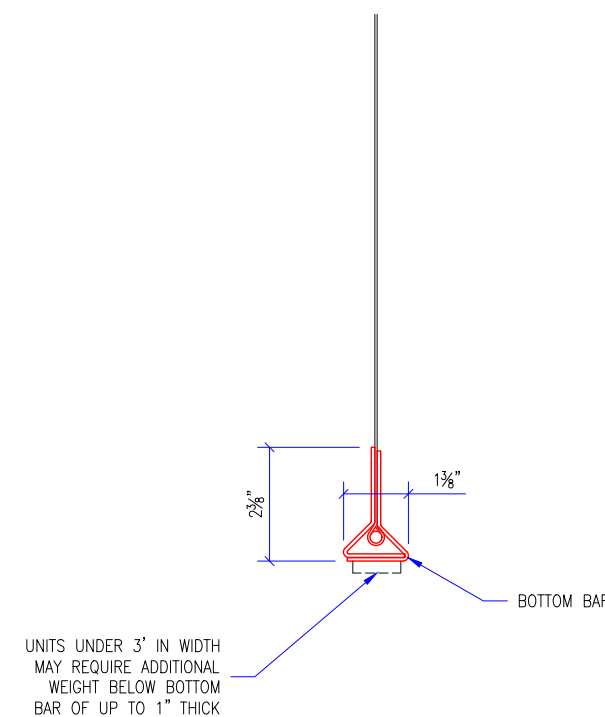


K DETAIL J: HOUSING
SCALE: 3" = 1'-0"



H PLAN SECTION
SCALE: 3/8" = 1'-0"

20"x20" ACCESS PANEL REQ'D FOR LOWERED HARD CEILING



L DETAIL K: BOTTOM BAR
SCALE: 3" = 1'-0"

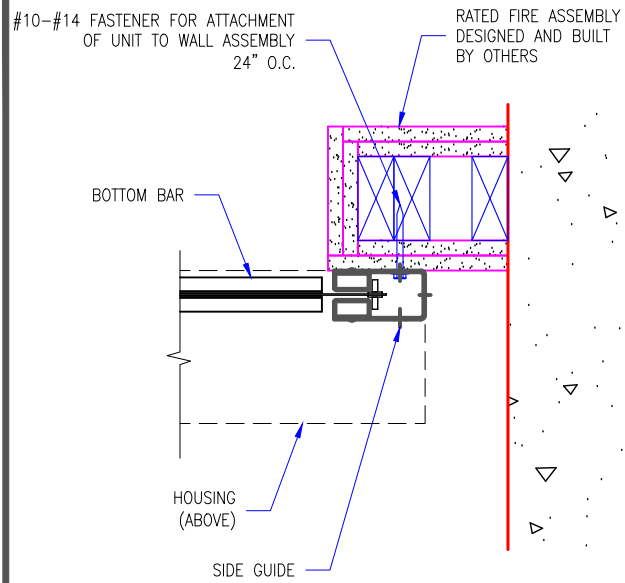
REVISION		
REVISION NUMBER	REVISION DATE	REVISION DESCRIPTION
01	2.4.19	INITIAL RELEASE

QUOTE:
CONFIGURATION:
PROJECT:
DIST.:

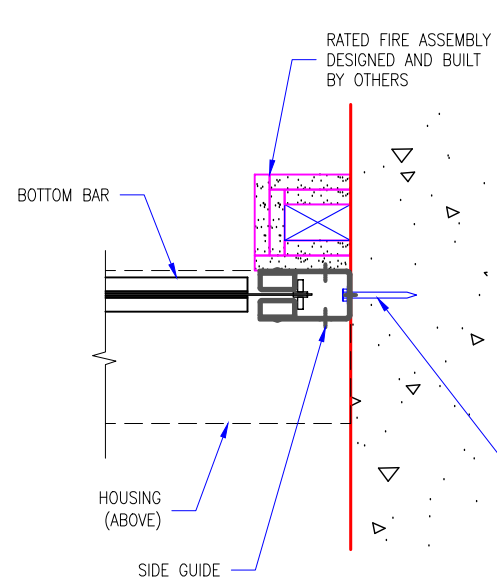
DESIGN SET: D1	SIZE B
MODEL: 2100	SHEET
M2100D ELEVATION PLAN AND SECTION	DD1/3
DRAWN: TM	2.5.2019

- GENERAL NOTES:
1. SMOKE GUARD FIRE RATED UNITS (HOUSINGS & SIDE GUIDES) TO BE MOUNTED TO A FINISHED, FIRE RATED ASSEMBLY OR STRUCTURE PER YOUR APPLICATION.
 2. CLIENT TO PROVIDE CONTINUOUS MOUNTING SURFACE FOR STRUCTURAL AND SHEET METAL ATTACHMENT.
 3. TOLERANCE: FLOOR TO CEILING VARIANCE MUST BE WITHIN +/- 1/2" ACROSS LENGTH OF MACHINE..
 4. ORDER LENGTHS TO BE AT 1/4" INCREMENTS ONLY.
 5. DIMENSIONS TO NOT INCLUDE HEADS OF EXTERNAL FASTENERS.

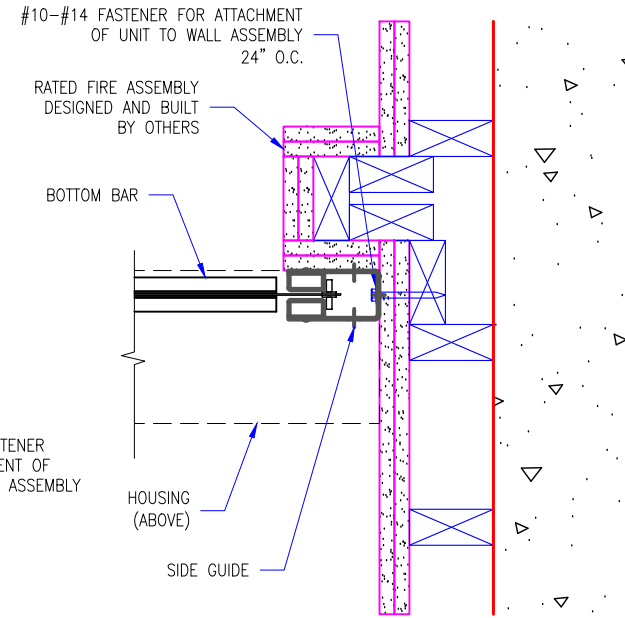
* SHOWN DOUBLE LAYER (2HR) USE PROPER LAYERING FOR YOUR FIRE APPLICATION



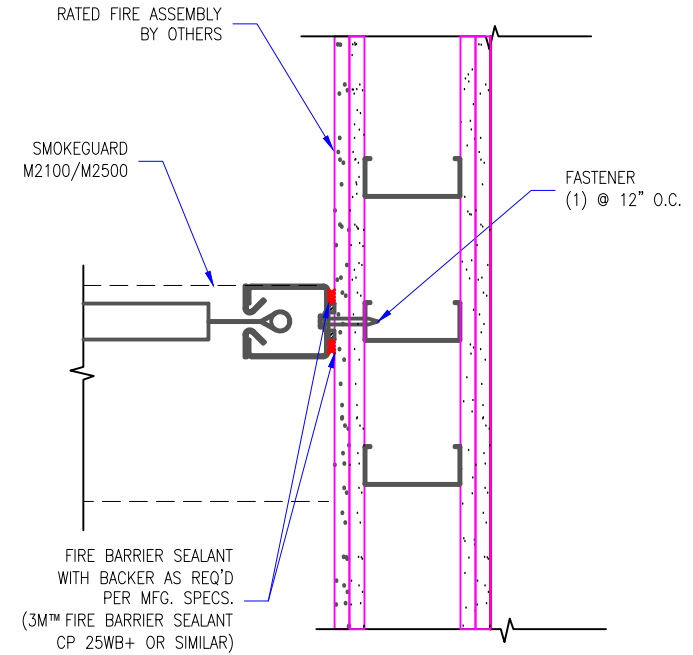
8 SIDE GUIDE AS TESTED-FACE MOUNT
SCALE: 1 1/2" = 1'-0"
APPROVED FIRE RATED INSTALLATION



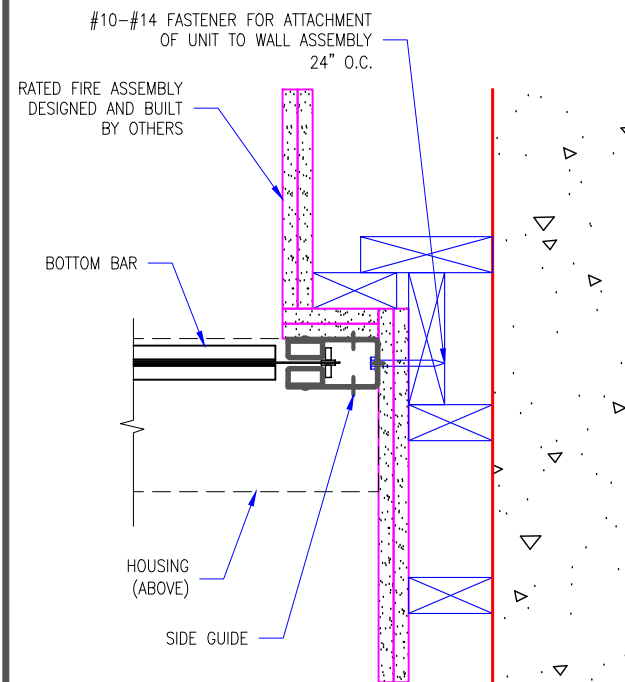
6 SIDE GUIDE DETAIL - DIRECT JAMB, APPLIED BUMP OUT
SCALE: 1 1/2" = 1'-0"
APPROVED FIRE RATED INSTALLATION



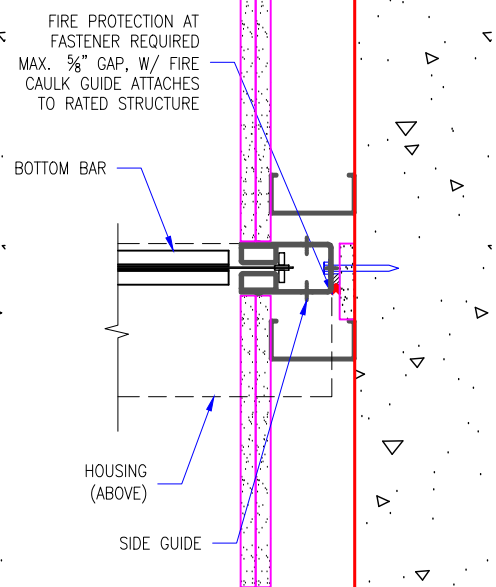
4 SIDE GUIDE DETAIL - JAMB MOUNT, APPLIED BUMP OUT
SCALE: 1 1/2" = 1'-0"
APPROVED FIRE RATED INSTALLATION



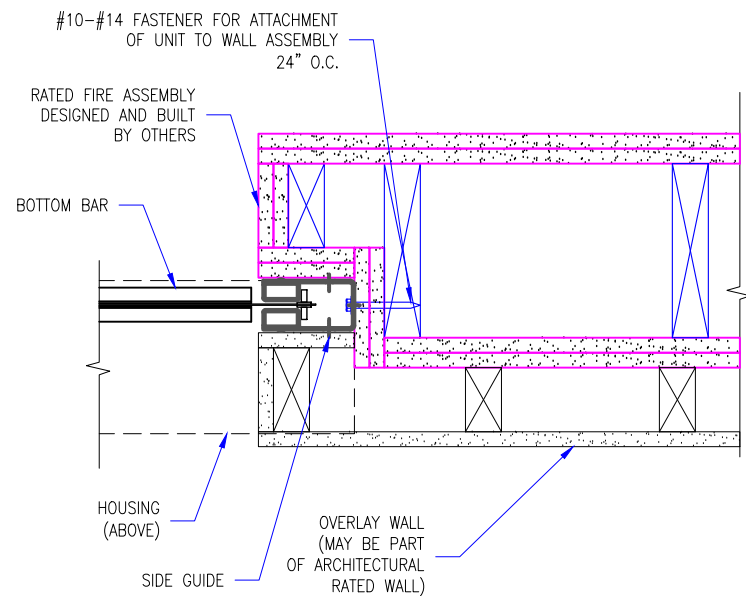
2 SIDE GUIDE DETAIL - JAMB MOUNT, SCALE: 1 1/2" = 1'-0"
APPROVED FIRE RATED INSTALLATION



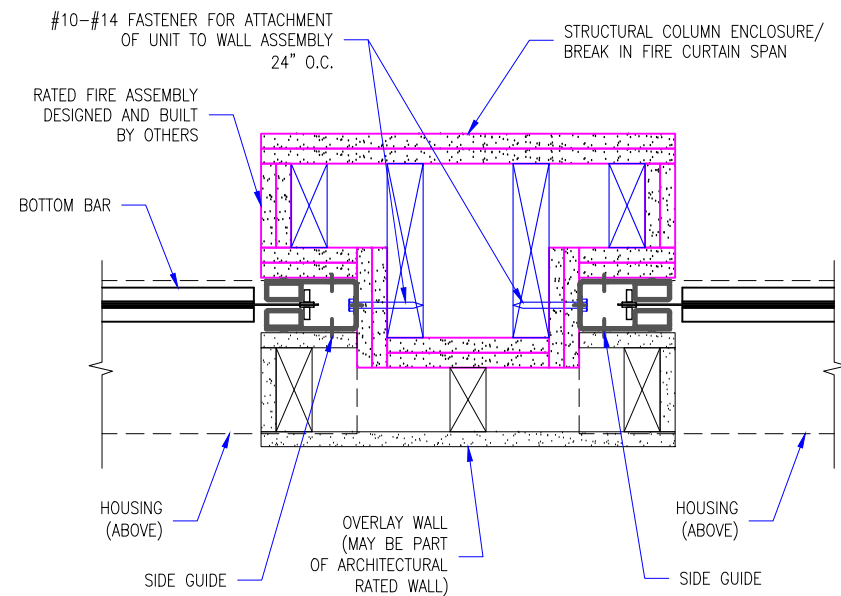
7 SIDE GUIDE DETAIL - JAMB MOUNT, STAGGERED ASSEMBLY
SCALE: 1 1/2" = 1'-0"
APPROVED FIRE RATED INSTALLATION



5 SIDE GUIDE DETAIL - JAMB MOUNT, PERPENDICULAR TO WALL
SCALE: 1 1/2" = 1'-0"
APPROVED FIRE RATED INSTALLATION



3 SIDE GUIDE DETAIL - JAMB MOUNT, STAGGERED ASSEMBLY INLINE W/WALL, NON-RATED OVERLAY
SCALE: 1 1/2" = 1'-0"
APPROVED FIRE RATED INSTALLATION



1 SIDE GUIDE DETAIL - JAMB MOUNT, STAGGERED ASSEMBLY INLINE W/WALL, NON-RATED OVERLAY COLUMN ENCLOSURE
SCALE: 1 1/2" = 1'-0"
APPROVED FIRE RATED INSTALLATION

FIRE RATED DETAILS

REVISION		
REVISION NUMBER	REVISION DATE	REVISION DESCRIPTION
01	2.4.19	INITIAL RELEASE

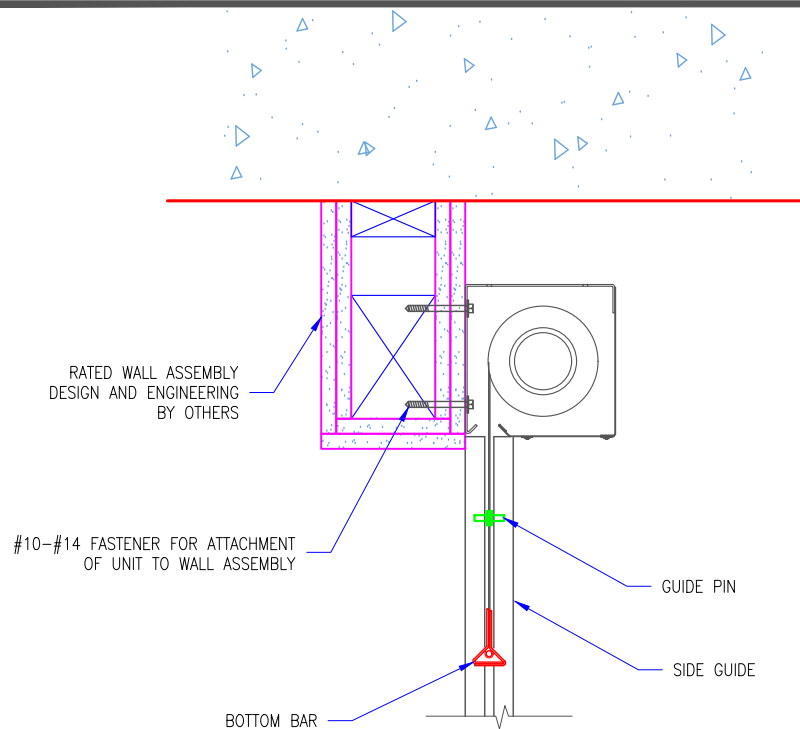
QUOTE:
CONFIGURATION:
PROJECT:
DIST.:

DESIGN SET: D1	SIZE B
MODEL: 2100	SHEET
SIDE GUIDE DETAILS	
DRAWN: TM	2.5.2019 DD2/4

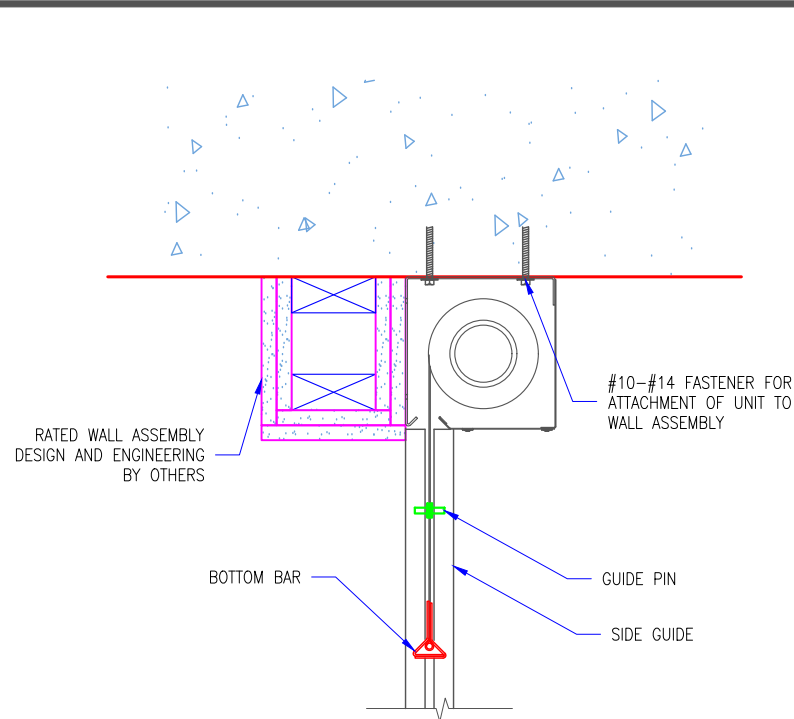
- GENERAL NOTES:
- SMOKE GUARD FIRE RATED UNITS (HOUSINGS & SIDE GUIDES) TO BE MOUNTED TO A FINISHED, FIRE RATED ASSEMBLY OR STRUCTURE PER YOUR APPLICATION.
 - CLIENT TO PROVIDE CONTINUOUS MOUNTING SURFACE FOR STRUCTURAL AND SHEET METAL ATTACHMENT.
 - TOLERANCE: FLOOR TO CEILING VARIANCE MUST BE WITHIN +/- 1/2" ACROSS LENGTH OF MACHINE..
 - ORDER LENGTHS TO BE AT 1/4" INCREMENTS ONLY.
 - DIMENSIONS TO NOT INCLUDE HEADS OF EXTERNAL FASTENERS.

- MODEL SPECIFIC NOTES:
- STRUCTURAL DESIGN TO USE LOADS OF 12 LBS/FT
 - STRUCTURAL ATTACHMENT TO BE WITHIN 6" OF EACH END AND MAX OF 36" ON CENTER. (2) SCREWS PER LOCATION, DRILLING REQUIRED ON SITE.

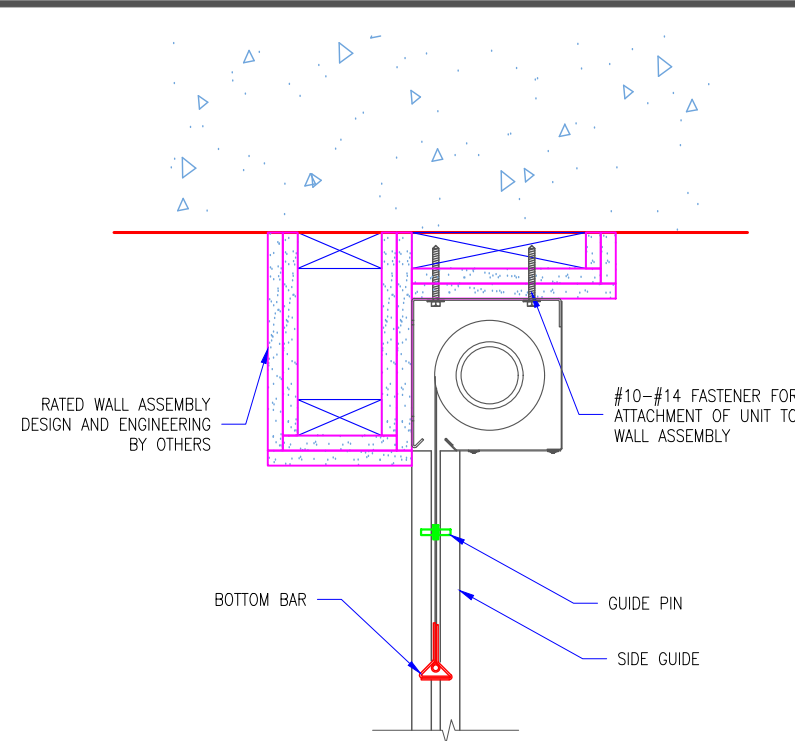
* SHOWN DOUBLE LAYER (2HR) USE PROPER LAYERING FOR YOUR FIRE APPLICATION



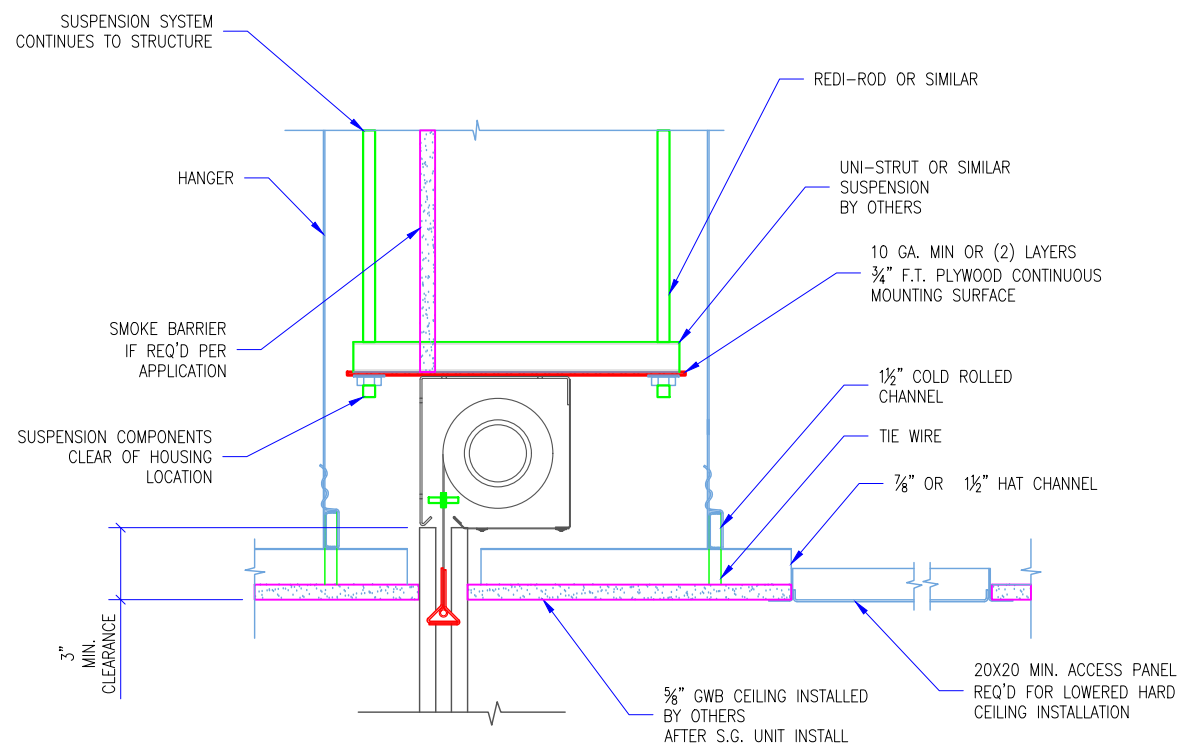
3 HEADBOX FACE MOUNT
SCALE: 1 1/2" = 1'-0"
APPROVED FIRE RATED INSTALLATION



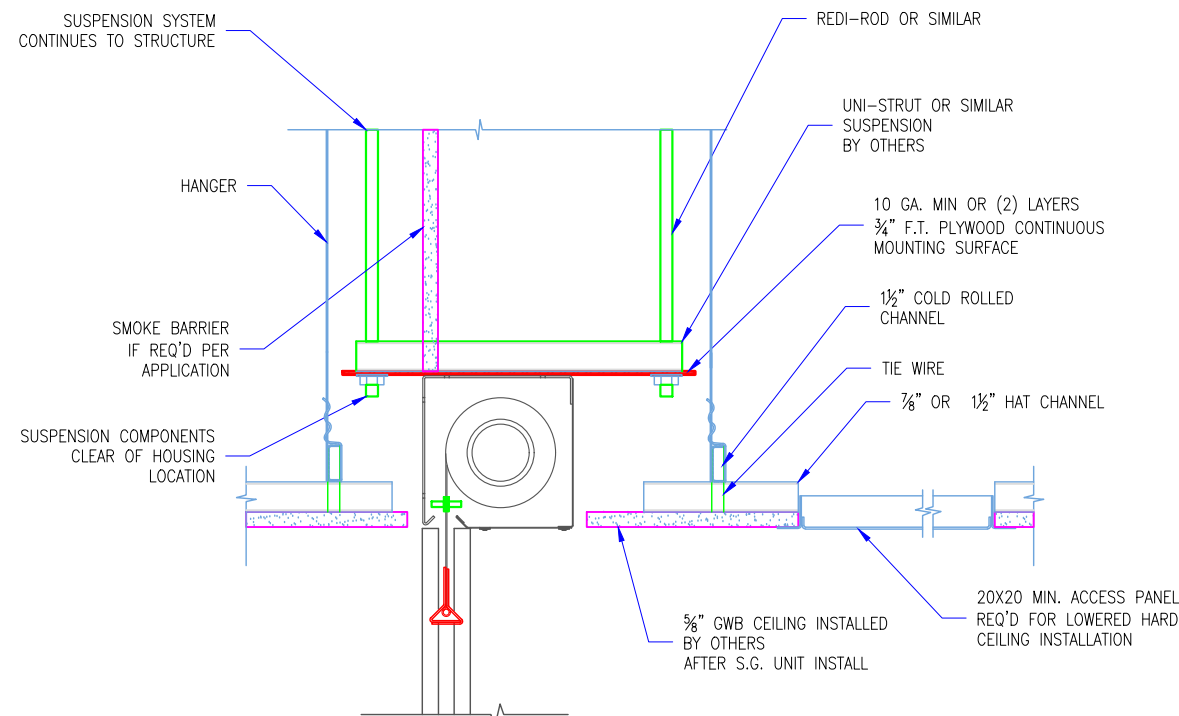
2 HEADBOX TOP MOUNT TO DECK
SCALE: 1 1/2" = 1'-0"
APPROVED FIRE RATED INSTALLATION



1 HEADBOX AS TESTED TOP MOUNT
SCALE: 1 1/2" = 1'-0"
APPROVED FIRE RATED INSTALLATION



4 HEADBOX DROPPED CEILING
SCALE: 1 1/2" = 1'-0"
SMOKE RATED INSTALLATION



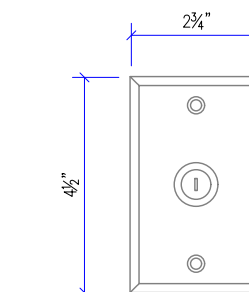
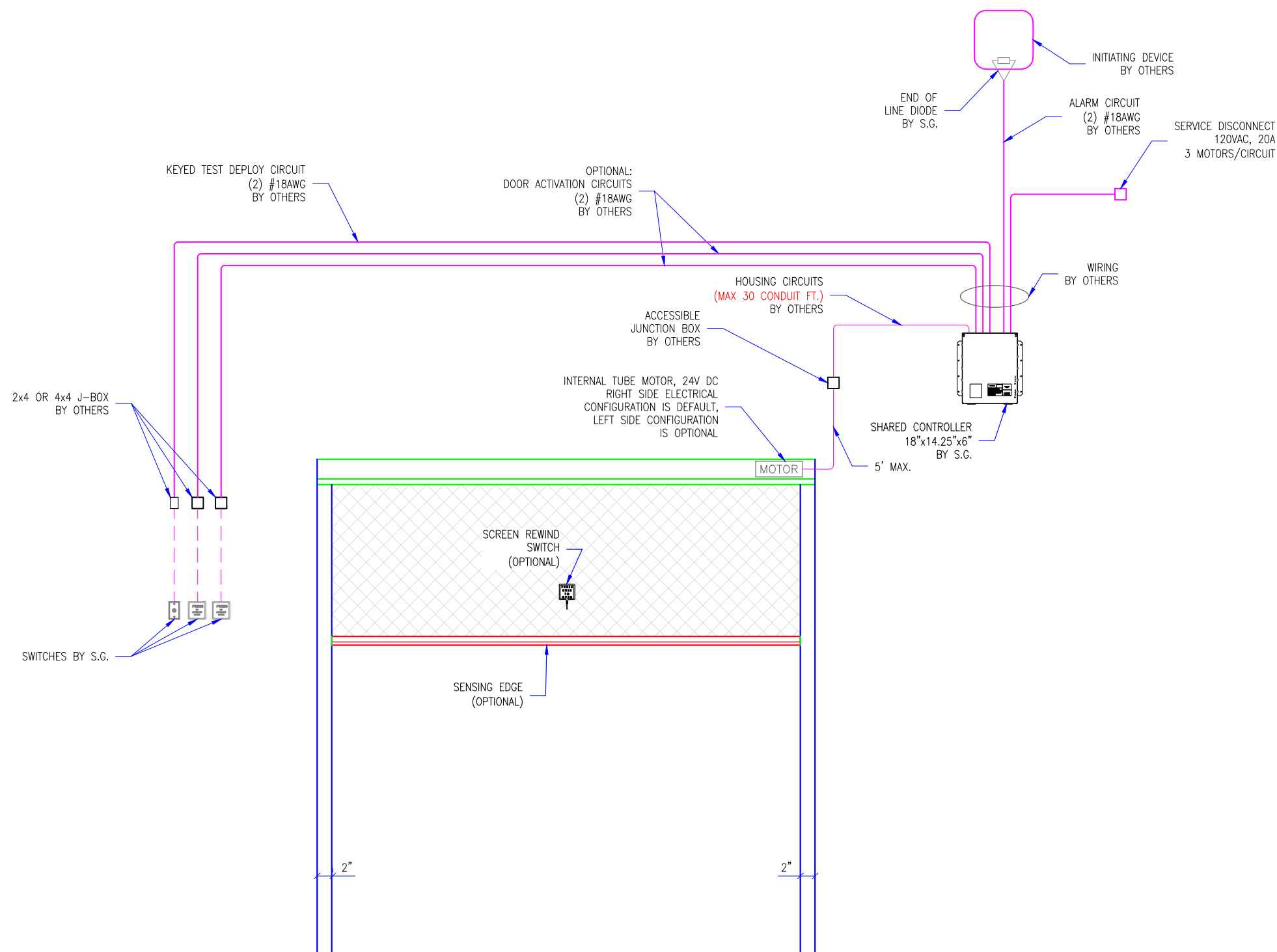
5 HEADBOX DROPPED CEILING
SCALE: 1 1/2" = 1'-0"
SMOKE RATED INSTALLATION

REVISION		
REVISION NUMBER	REVISION DATE	REVISION DESCRIPTION
01	2.4.19	INITIAL RELEASE

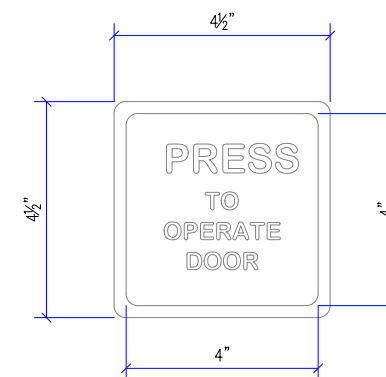
QUOTE:
CONFIGURATION:
PROJECT:
DIST.:

DESIGN SET: D1	SIZE B
MODEL: 2100	SHEET
HEAD DETAILS	
DRAWN: TM	2.5.2019 DD3/4

- GENERAL NOTES:
- SMOKE GUARD TO PROVIDE:
 - MAIN CONTROLLER STATION
 - END-OF-LINE DIODE
 - ALL REMAINING ELECTRICAL BY OTHERS.
 - DEFAULT LOCATION OF MAIN MOTOR IS RIGHT SIDE VIEWED FROM FRONT ELEVATION. LEFT SIDE IS OPTIONAL UPON REQUEST.
 - CONTROLLER DIMENSIONS ARE 18"x14.25"x 6", REFER TO SUPPLEMENTARY DOCUMENTATION FOR WIRING SPECIFICS & MOUNTING DETAILS.



1
DETAIL: KEYED TEST DEPLOY SWITCH
SCALE: 3" = 1'-0"



2
DETAIL: DOOR ACTIVATION SWITCH
SCALE: 3" = 1'-0"

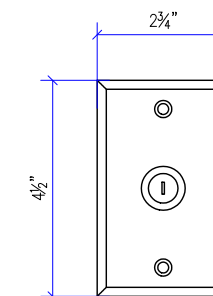
A
ELECTRICAL DIAGRAM
SCALE: 3/8" = 1'-0"

REVISION		
REVISION NUMBER	REVISION DATE	REVISION DESCRIPTION
01	2.4.19	INITIAL RELEASE

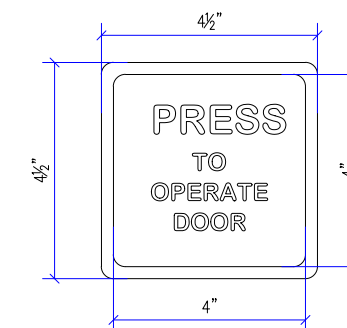
QUOTE:
CONFIGURATION:
PROJECT:
DIST.:

DESIGN SET: D1	SIZE B
MODEL: 2100	SHEET
ELECTRICAL DIAGRAM SINGLE CONTROLLER	DD4/4
DRAWN: TM	2.5.2019

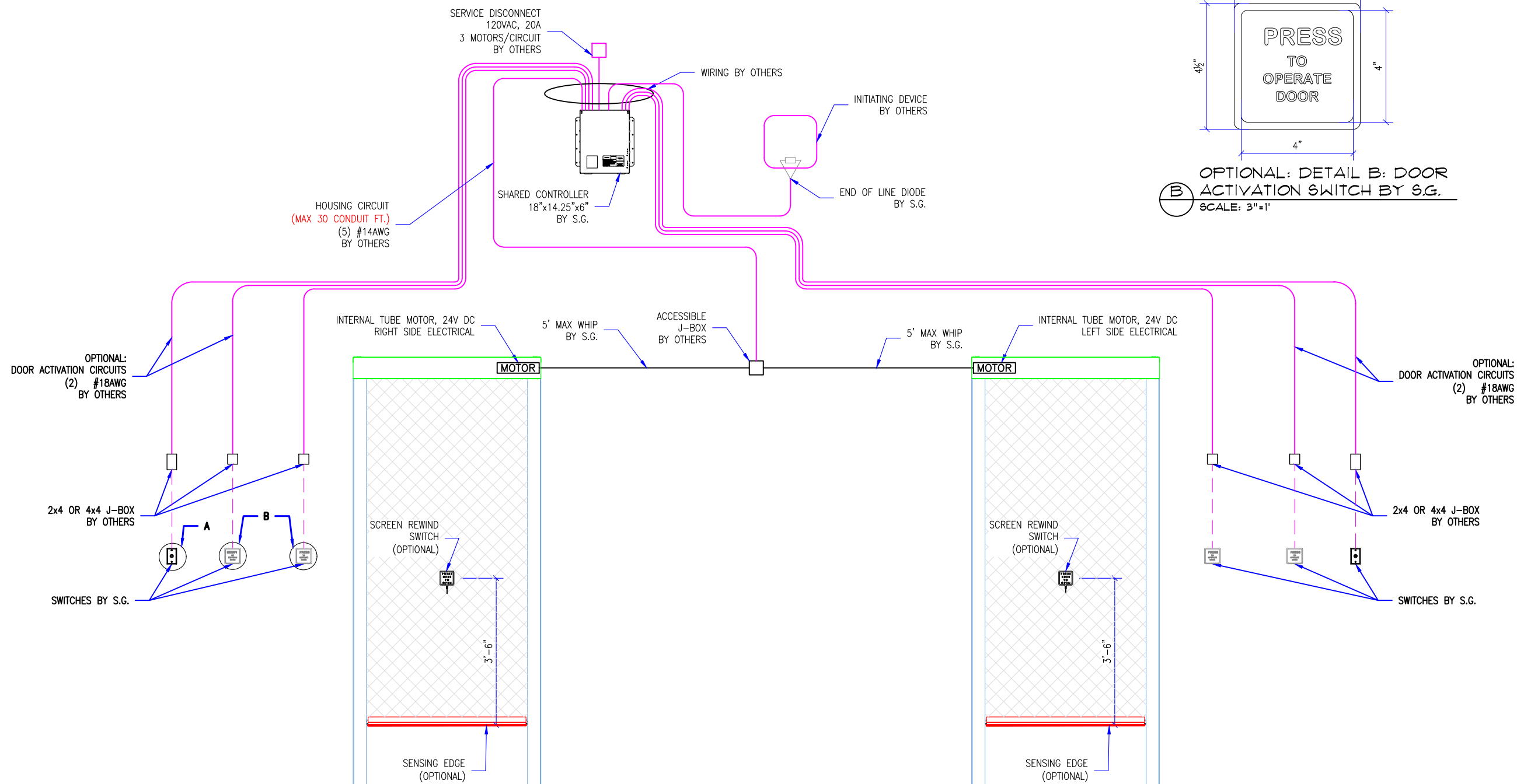
- GENERAL NOTES:
- SMOKE GUARD UNITS (HOUSINGS & SIDE GUIDES) TO BE MOUNTED TO A FINISHED, RATED ASSEMBLY OR STRUCTURE PER YOUR APPLICATION.
 - CLIENT TO PROVIDE CONTINUOUS MOUNTING SURFACE FOR STRUCTURAL AND SHEET METAL ATTACHMENT.
 - TOLERANCE: FLOOR TO CEILING VARIANCE MUST BE WITHIN +/- 1/2" ACROSS LENGTH OF MACHINE..
 - ORDER LENGTHS TO BE AT 1/4" INCREMENTS ONLY.
 - DIMENSIONS TO NOT INCLUDE HEADS OF EXTERNAL FASTENERS.
 - 12 GA. STEEL TOP MOUNTING PLATE
 - STATIC/DYNAMIC SYSTEM WEIGHT, 12 LBS/FT.
 - CONTROLLER CONDUIT BY OTHERS
 - CONTROLLER CABLE PROVIDED
 - PROVIDE ACCESS TO CONTROLLER
 - CONTROLLER MOUNTING SUBSTRATE BY OTHERS
 - MAX 30 CONDUIT FEET FROM MAIN CONTROLLER TO HOUSING



DETAIL A: KEYED TEST DEPLOY SWITCH BY S.G.
SCALE: 3"=1"



OPTIONAL: DETAIL B: DOOR ACTIVATION SWITCH BY S.G.
SCALE: 3"=1"



M2100 SHARED CONTROLLER
SCALE: 3/8" = 1'-0"

REVISION

REVISION NUMBER	REVISION DATE	REVISION DESCRIPTION
01	2.4.19	INITIAL RELEASE

QUOTE:
CONFIGURATION:
PROJECT:
DIST.:

DESIGN SET: D1

MODEL: 2100

ELECTRICAL DIAGRAM
SHARED CONTROLLER

DRAWN: TM 2.5.2019

SIZE
B
SHEET