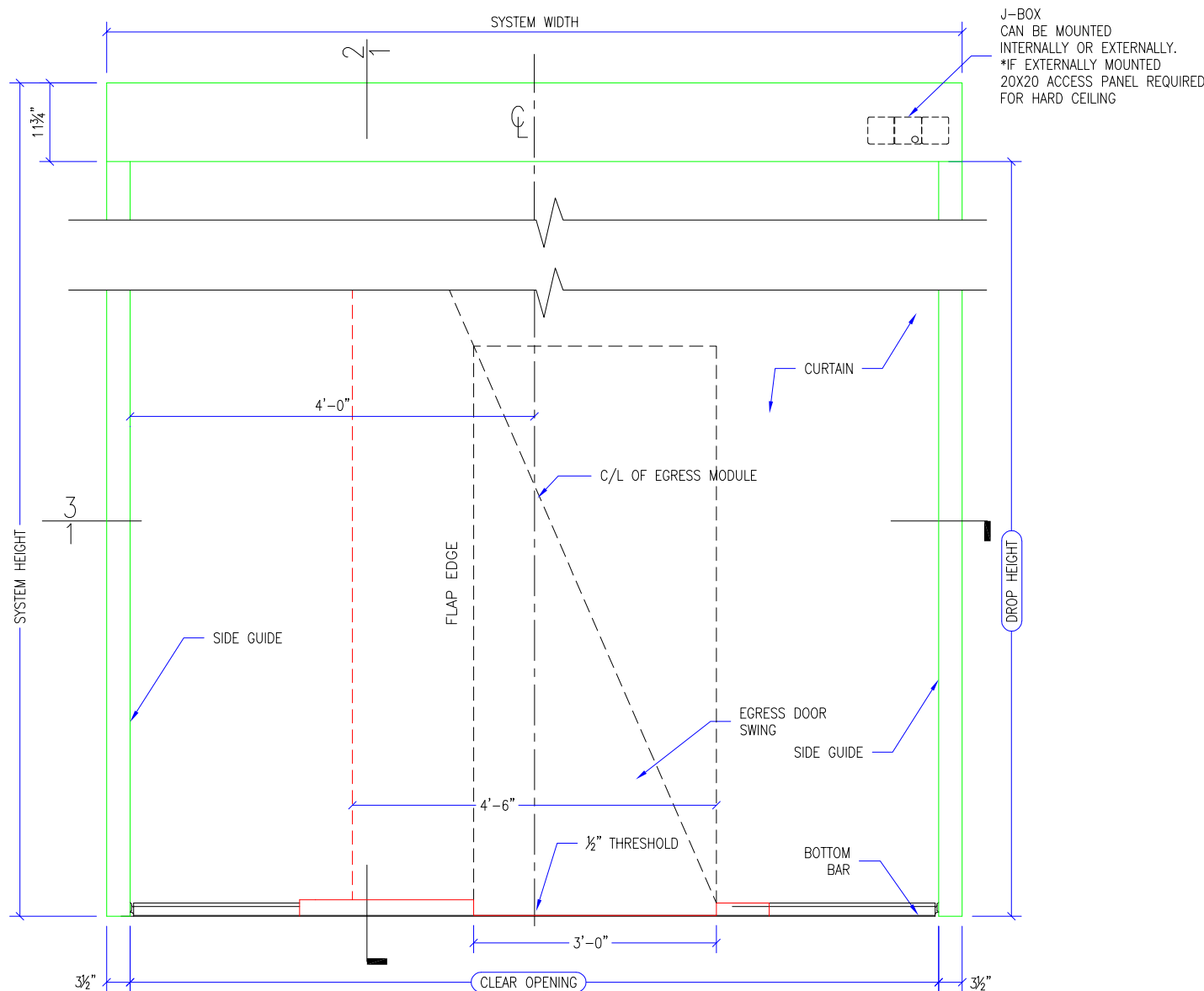
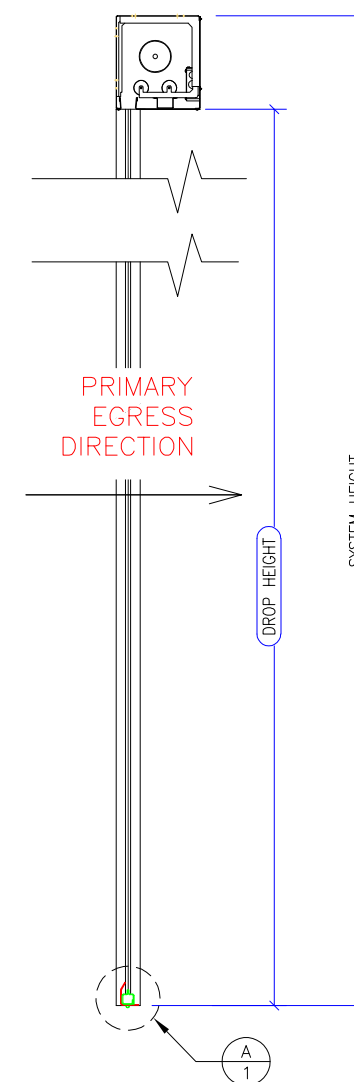


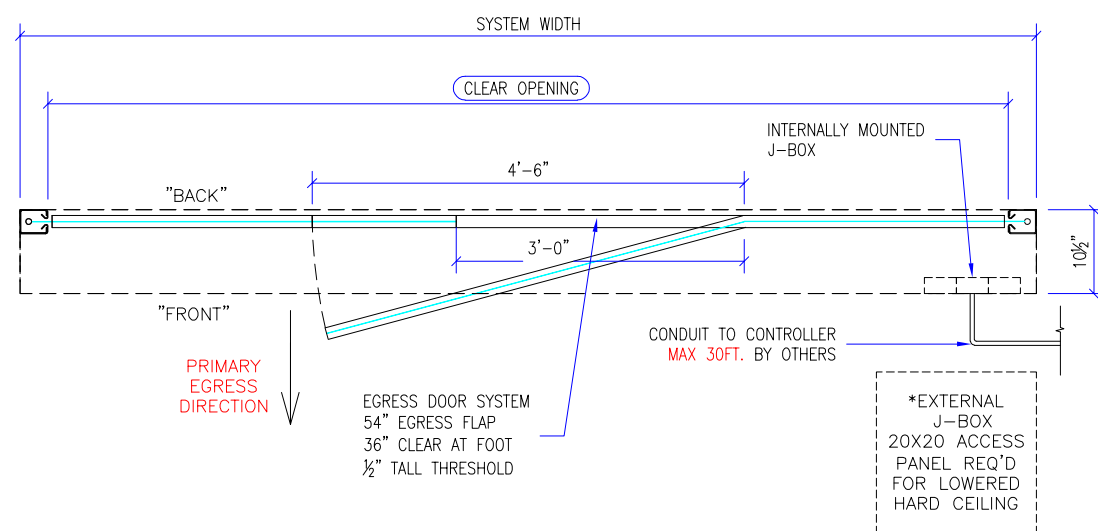
- GENERAL NOTES:
1. SMOKE GUARD FIRE RATED UNITS (HOUSINGS & SIDE GUIDES) TO BE MOUNTED TO A FINISHED, FIRE RATED ASSEMBLY OR STRUCTURE PER YOUR APPLICATION.
  2. CLIENT TO PROVIDE CONTINUOUS MOUNTING SURFACE FOR STRUCTURAL AND SHEET METAL ATTACHMENT.
  3. TOLERANCE: FLOOR TO CEILING VARIANCE MUST BE WITHIN +/- 1/2" ACROSS LENGTH OF MACHINE.
  4. ORDER LENGTHS TO BE AT 1/4" INCREMENTS ONLY.
  5. DIMENSIONS TO NOT INCLUDE HEADS OF EXTERNAL FASTENERS.
  6. 12 GA. STEEL TOP MOUNTING PLATE
  7. STATIC/DYNAMIC SYSTEM WEIGHT, 26 LBS/FT.
  8. CONTROLLER CONDUIT BY OTHERS
  9. CONTROLLER CABLE PROVIDED
  10. PROVIDE ACCESS TO CONTROLLER
  11. CONTROLLER MOUNTING SUBSTRATE BY OTHERS
  12. MAX 30 CONDUIT FEET FROM MAIN CONTROLLER TO HOUSING
  13. FIRE RATING FOR ENCLOSURE ABOVE HOUSING DESIGNED BY OTHERS.



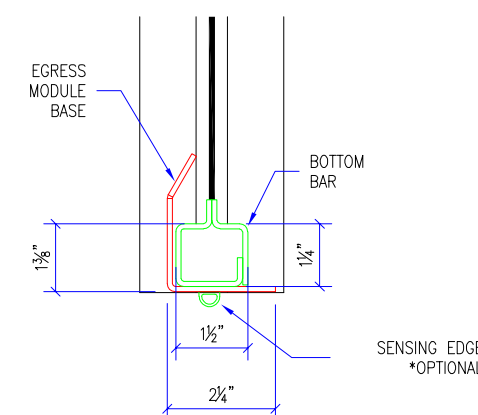
1 M2500 EGRESS ELEVATION  
SCALE: 1/2" = 1'-0"



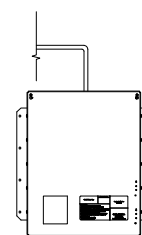
2 M2500 EGRESS SECTION  
SCALE: 1/2" = 1'-0"



3 M2500 EGRESS PLAN  
SCALE: 1/2" = 1'-0"



A M2500 BOTTOM BAR W/EGRESS BASE  
SCALE: 3" = 1'-0"



THESE DRAWINGS SHOW OUR INTERPRETATION OF THE PRINCIPAL PLANS AND SPECIFICATIONS. THEY ARE SUBMITTED AS CHECK PRINTS REQUIRING REVIEW AND POSSIBLE REVISIONS TO DETAILS AND/OR DIMENSIONS. BEFORE FABRICATION OF MATERIALS CAN BEGIN, DRAWING PACKAGE MUST MATCH O.P.M. ORDER AND BE RETURNED SIGNED AND DATED. IF THERE ARE SIZE DISCREPANCIES BETWEEN THIS DRAWING PACKAGE AND O.P.M. ORDER, THESE DRAWING SUPERCEDE O.P.M. DIMENSIONS. IF CONSIDERABLY DIFFERENT, A RE-SUBMITTAL OF O.P.M. ORDER WILL BE REQUIRED. THIS SIGNATURE INDICATES PURCHASER'S FULL ACCEPTANCE OF DETAILS SHOWN AND THE PRODUCT IN CONFORMANCE TO SAME. THESE DESIGNS AND DRAWINGS ARE THE EXCLUSIVE PROPERTY OF SMOKE GUARD, INC. AND ARE NOT TO BE USED OR DUPLICATED WITHOUT PERMISSIONS.

REVISION		
REVISION NUMBER	REVISION DATE	REVISION DESCRIPTION
D1	3.5.19	INITIAL RELEASE

QUOTE: ----  
CONFIGURATION: ----  
PROJECT: ----  
DIST.: ----

DESIGN SET: D1	SIZE <b>B</b>
MODEL: M2500FE	SHEET
SHEET TITLE: M2500 EGRESS ELEVATION & SECTION	1 OF 1
DRAWN: TLM	3.5.2019