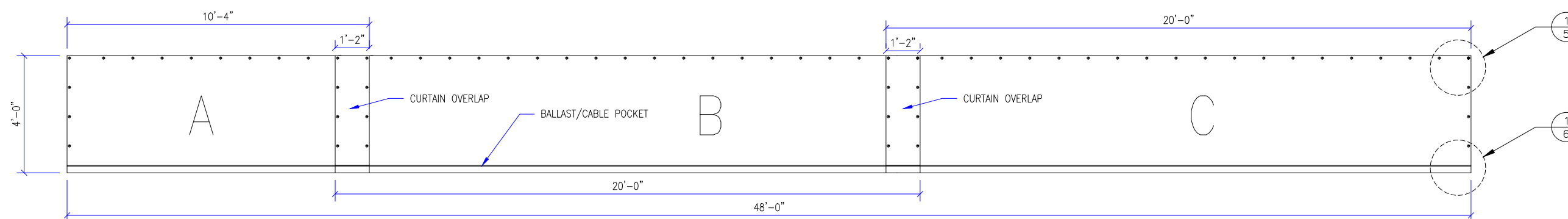


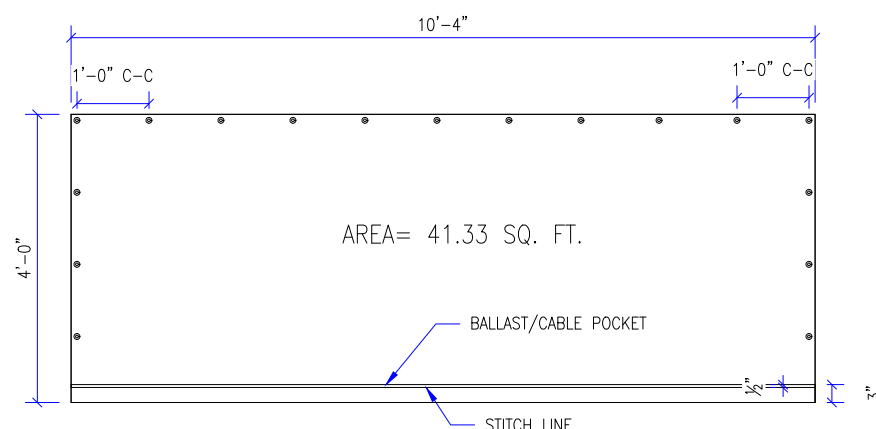
Disclaimer:
Curtain panels are constructed in accordance with the project design drawings provided to Smoke Guard and as approved by the purchaser. Unless otherwise specified, curtain panels will contain #3 grommets (7/16" I.D.) at 12" on center on the sides and top of the curtain panel, as well as a pocket with a stitch line at 2 1/2" along the base.

Furthermore, consideration should be taken with respect to wind loading due to open doors and/or mechanical systems.

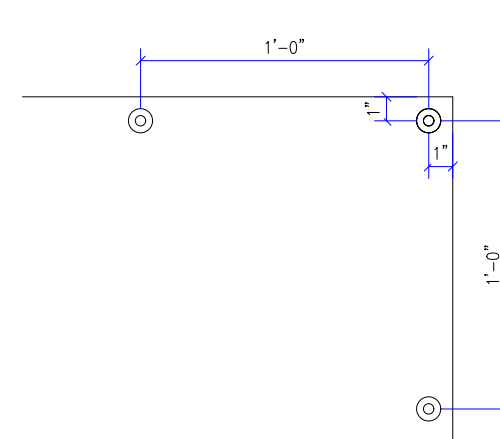
If using a ballast to weight the curtain, it should be positively attached to, and restrained within the curtain pocket by methods designed by others. Any penetrations and/or cuts caused to the curtain material due to rigid building frame structures or mechanical objects should be mended, restrained and sealed at the direction of the engineer or architect of record for the project and are beyond the scope of Smoke Guard as a material-only provider. Smoke Guard assumes no responsibility for the design of the frame curtain assembly.



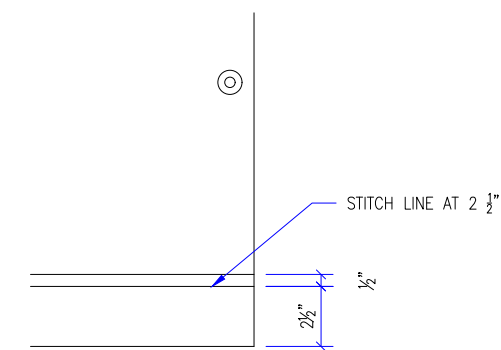
1 STATIC DRAFT ELEVATION
SCALE: 1/4" = 1'-0"



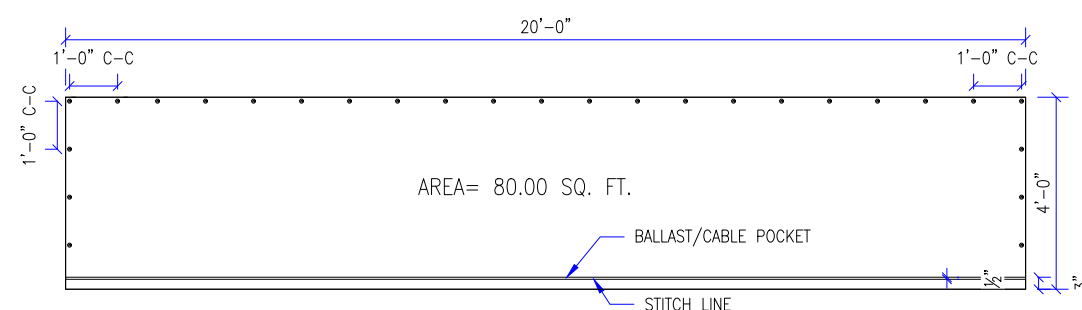
2 STATIC DRAFT SECTION A
SCALE: 3/8" = 1'-0"



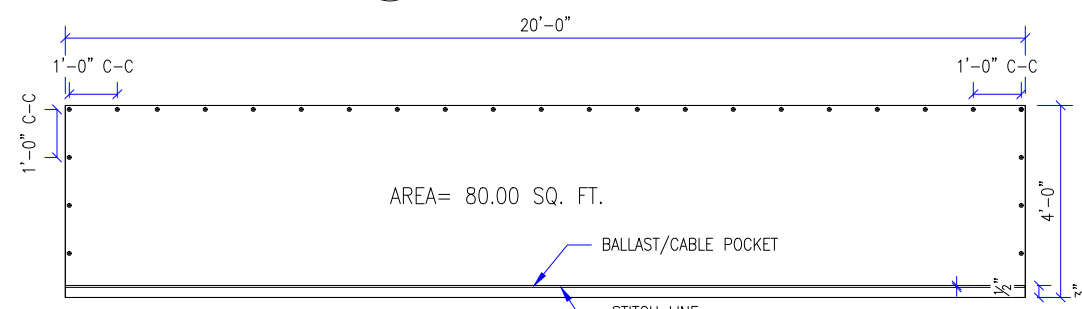
5 GROMMET DETAILS
SCALE: 1 1/2" = 1'-0"



6 BALLAST/CABLE POCKET DETAILS
SCALE: 1 1/2" = 1'-0"



3 STATIC DRAFT SECTION B
SCALE: 1/4" = 1'-0"



4 STATIC DRAFT SECTION C
SCALE: 1/4" = 1'-0"

NOTES: Unless otherwise specified:

1. Material for all curtains is SGTEX 10; sewing thread is ST-304.
2. All dimensions apply to finished curtains.
3. Product coating is to be uniform in thickness and appearance.
4. Weaving and sewing are to be free of defects.
5. Tops and sides require 2 inch hems.
6. Bottom of all curtains have a pipe 2.5" pocket for 1/2" pipe.
7. All seams are to be double felled seams, 6 stitches per inch.
8. The top and side edges are to be fitted with #3, 7/16" inner diameter, steel grommets positioned with the centers 1" from the edge.
9. The second and second-to-the-last grommets are 12" C-C from the first and last grommets respectively. Other grommets are on 12" centers, or as necessary to accommodate seams and curtain dimensions.

REVISION		
REVISION NUMBER	REVISION DATE	REVISION DESCRIPTION
D1	3.20.19	INITIAL RELEASE

QUOTE: ----
CONFIGURATION: ----
PROJECT: ----
DIST.: ----

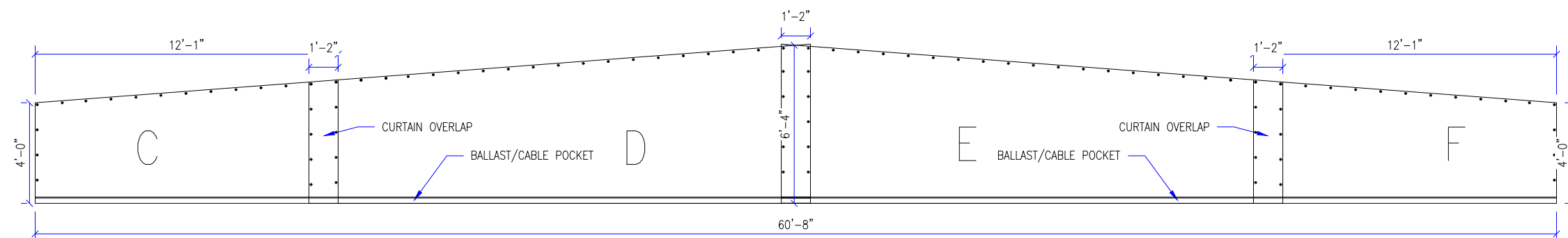
DESIGN SET: D1	SIZE B
MODEL: M2100DRAFT	SHEET 1 OF 4
SHEET TITLE:	DRAWN: TLM 3.18.2019

THESE DRAWINGS SHOW OUR INTERPRETATION OF THE PRINCIPAL PLANS AND SPECIFICATIONS. THEY ARE SUBMITTED AS CHECK PRINTS REQUIRING REVIEW AND POSSIBLE REVISIONS TO DETAILS AND/OR DIMENSIONS. BEFORE FABRICATION OF MATERIALS CAN BEGIN, DRAWING PACKAGE MUST MATCH O.P.M. ORDER AND BE RETURNED SIGNED AND DATED. IF THERE ARE SIZE DISCREPANCIES BETWEEN THIS DRAWING PACKAGE AND O.P.M. ORDER, THESE DRAWING SUPERCEDE O.P.M. DIMENSIONS, IF CONSIDERABLY DIFFERENT, A RE-SUBMITTAL OF O.P.M. ORDER WILL BE REQUIRED. THIS SIGNATURE INDICATES PURCHASER'S FULL ACCEPTANCE OF DETAILS SHOWN AND THE PRODUCT IN CONFORMANCE TO SAME. THESE DESIGNS AND DRAWINGS ARE THE EXCLUSIVE PROPERTY OF SMOKE GUARD, INC. AND ARE NOT TO BE USED OR DUPLICATED WITHOUT PERMISSIONS.

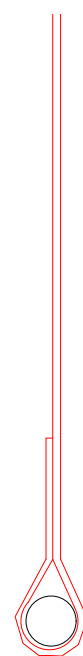
Disclaimer:
Curtain panels are constructed in accordance with the project design drawings provided to Smoke Guard and as approved by the purchaser. Unless otherwise specified, curtain panels will contain #3 grommets (7/16" I.D.) at 12" on center on the sides and top of the curtain panel, as well as a pocket with a stitch line at 2 1/2" along the base.

Furthermore, consideration should be taken with respect to wind loading due to open doors and/or mechanical systems.

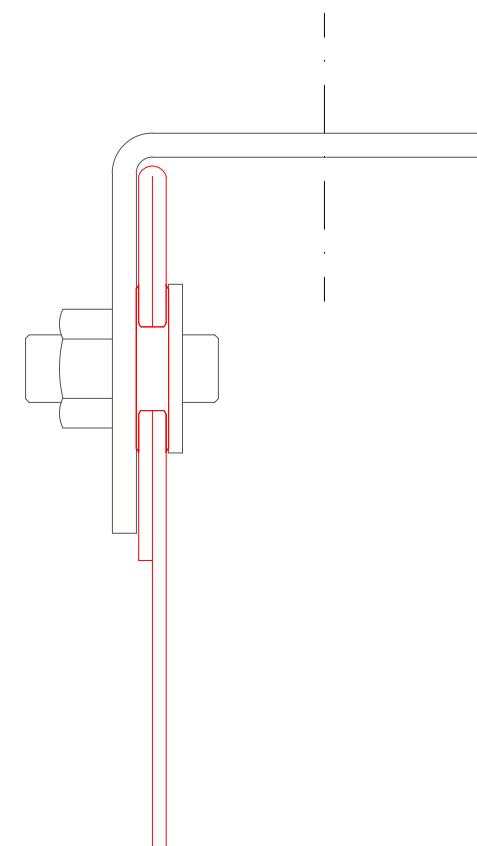
If using a ballast to weight the curtain, it should be positively attached to, and restrained within the curtain pocket by methods designed by others. Any penetrations and/or cuts caused to the curtain material due to rigid building frame structures or mechanical objects should be mended, restrained and sealed at the direction of the engineer or architect of record for the project and are beyond the scope of Smoke Guard as a material-only provider. Smoke Guard assumes no responsibility for the design of the frame curtain assembly.



1 STATIC DRAFT ELEVATION
SCALE: 3/16" = 1'-0"



1 INSTALLATION DETAIL @ LOWER EDGE
SCALE: 6 29/32" = 1'-0"



1 INSTALLATION DETAIL @ UPPER EDGE
SCALE: 1" = 1'-0"

NOTES: Unless otherwise specified:

1. Material for all curtains is SGTEX 10; sewing thread is ST-304.
2. All dimensions apply to finished curtains.
3. Product coating is to be uniform in thickness and appearance.
4. Weaving and sewing are to be free of defects.
5. Tops and sides require 2 inch hems.
6. Bottom of all curtains have a pipe 2.5" pocket for 1/2" pipe.
7. All seams are to be double felled seams, 6 stitches per inch.
8. The top and side edges are to be fitted with #3, 7/16" inner diameter, steel grommets positioned with the centers 1" from the edge.
9. The second and second-to-the-last grommets are 12" C-C from the first and last grommets respectively. Other grommets are on 12" centers, or as necessary to accommodate seams and curtain dimensions.

REVISION

REVISION NUMBER	REVISION DATE	REVISION DESCRIPTION
D1	3.20.19	INITIAL RELEASE

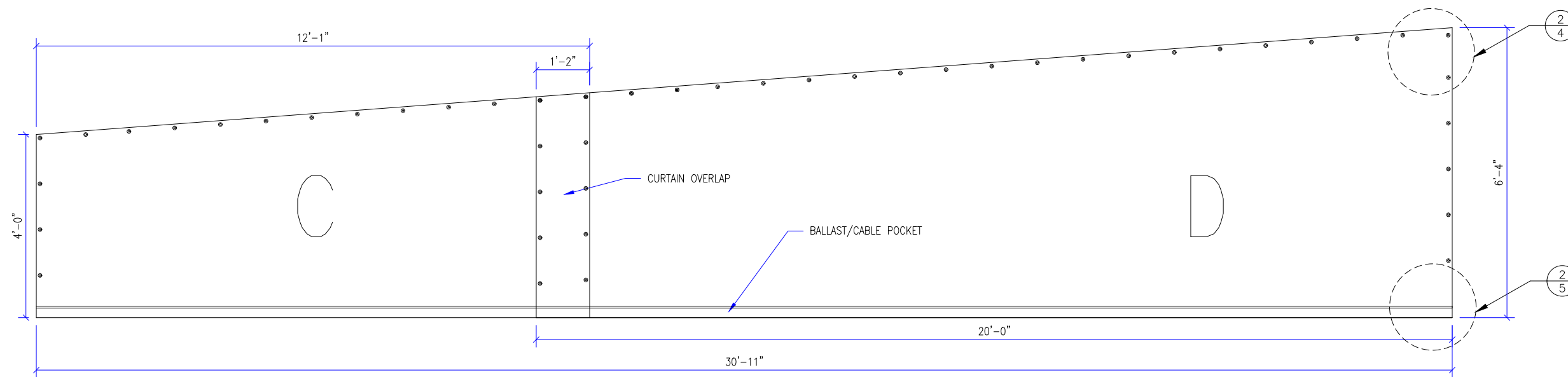
QUOTE: ----
CONFIGURATION: ----
PROJECT: ----
DIST.: ----

DESIGN SET: D1	SIZE B
MODEL: M2100DRAFT	SHEET 2 OF 4
SHEET TITLE:	
DRAWN: TLM	3.18.2019

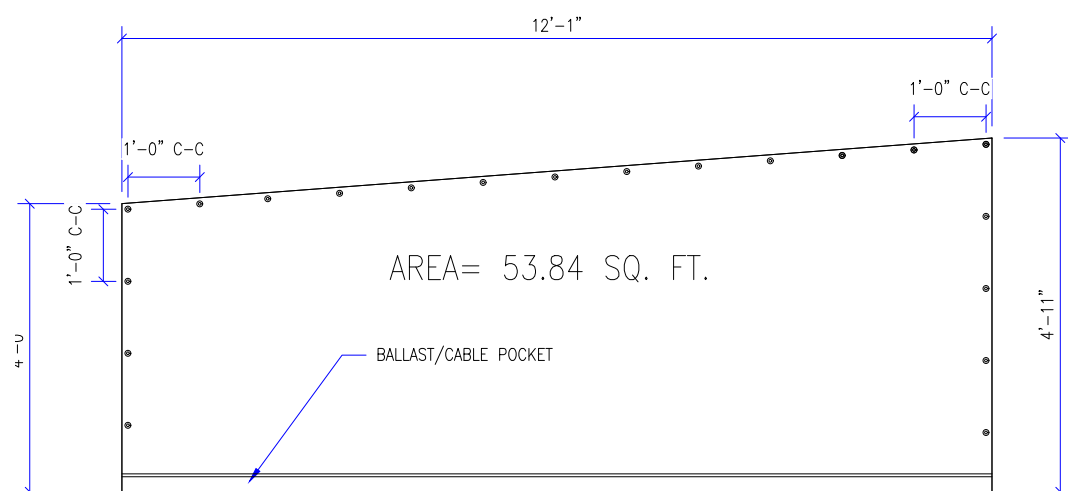
Disclaimer:
Curtain panels are constructed in accordance with the project design drawings provided to Smoke Guard and as approved by the purchaser. Unless otherwise specified, curtain panels will contain #3 grommets (7/16" I.D.) at 12" on center on the sides and top of the curtain panel, as well as a pocket with a stitch line at 2 1/2" along the base.

Furthermore, consideration should be taken with respect to wind loading due to open doors and/or mechanical systems.

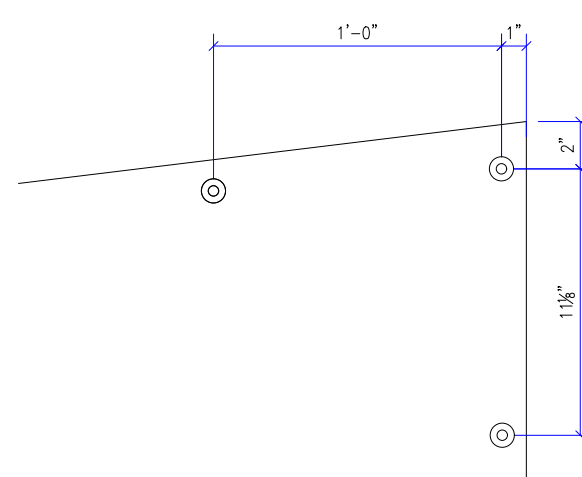
If using a ballast to weight the curtain, it should be positively attached to, and restrained within the curtain pocket by methods designed by others. Any penetrations and/or cuts caused to the curtain material due to rigid building frame structures or mechanical objects should be mended, restrained and sealed at the direction of the engineer or architect of record for the project and are beyond the scope of Smoke Guard as a material-only provider. Smoke Guard assumes no responsibility for the design of the frame curtain assembly.



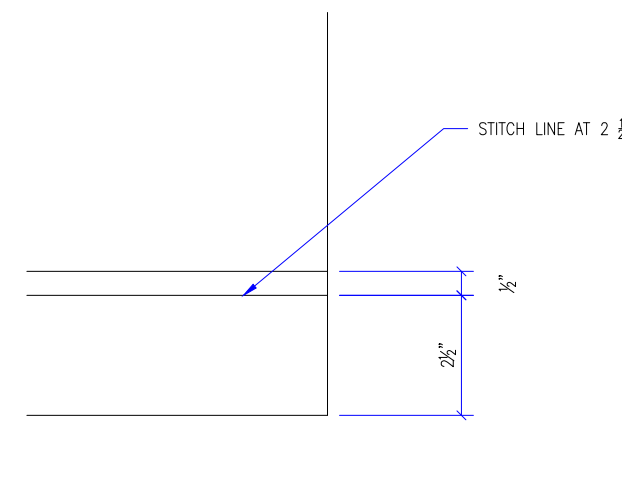
1 STATIC DRAFT ELEVATION
SCALE: 3/8" = 1'-0"



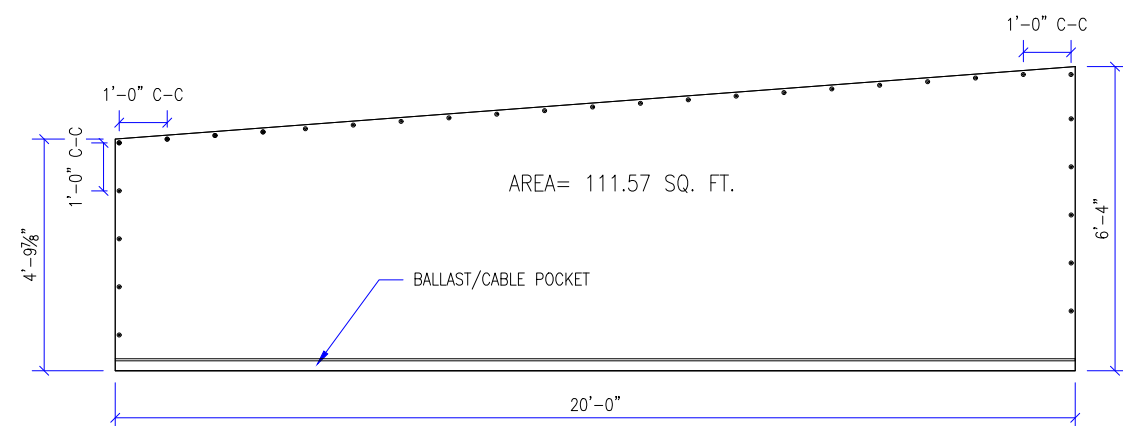
2 STATIC DRAFT SECTION C DETAIL
SCALE: 3/8" = 1'-0"



4 GROMMET DETAILS
SCALE: 1 1/2" = 1'-0"



5 BALLAST/CABLE DETAILS
SCALE: 3" = 1'-0"



3 STATIC DRAFT SECTION D DETAIL
SCALE: 1/4" = 1'-0"

NOTES: Unless otherwise specified:

1. Material for all curtains is SGTEX 10; sewing thread is ST-304.
2. All dimensions apply to finished curtains.
3. Product coating is to be uniform in thickness and appearance.
4. Weaving and sewing are to be free of defects.
5. Tops and sides require 2 inch hems.
6. Bottom of all curtains have a pipe 2.5" pocket for 1/2" pipe.
7. All seams are to be double felled seams, 6 stitches per inch.
8. The top and side edges are to be fitted with #3, 7/16" inner diameter, steel grommets positioned with the centers 1" from the edge.
9. The second and second-to-the-last grommets are 12" C-C from the first and last grommets respectively. Other grommets are on 12" centers, or as necessary to accommodate seams and curtain dimensions.

REVISION		
REVISION NUMBER	REVISION DATE	REVISION DESCRIPTION
D1	3.20.19	INITIAL RELEASE

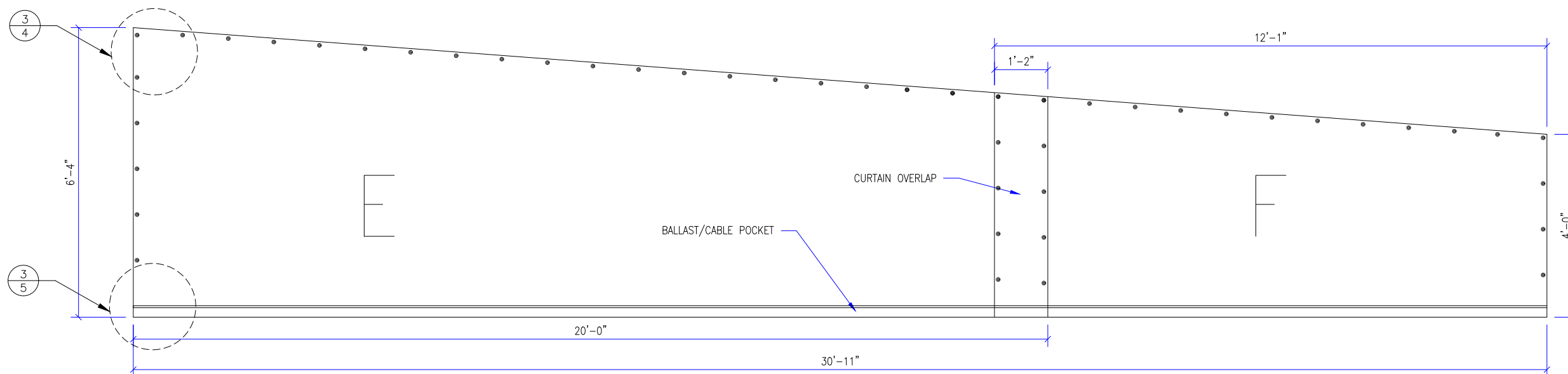
QUOTE: ----
CONFIGURATION: ----
PROJECT: ----
DIST.: ----

DESIGN SET: D1	SIZE B
MODEL: M2100DRAFT	SHEET 3 OF 4
SHEET TITLE:	
DRAWN: TLM	3.18.2019

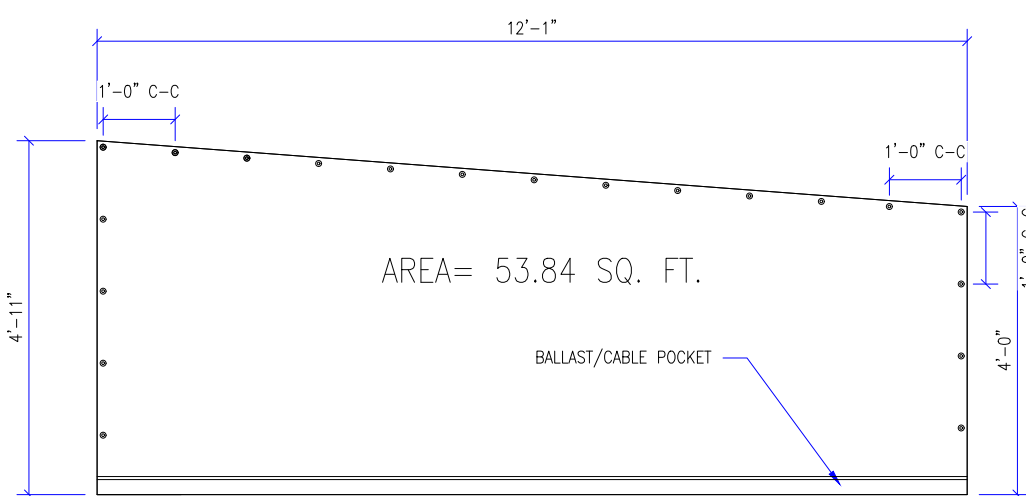
Disclaimer:
Curtain panels are constructed in accordance with the project design drawings provided to Smoke Guard and as approved by the purchaser. Unless otherwise specified, curtain panels will contain #3 grommets (7/16" I.D.) at 12" on center on the sides and top of the curtain panel, as well as a pocket with a stitch line at 2 1/2" along the base.

Furthermore, consideration should be taken with respect to wind loading due to open doors and/or mechanical systems.

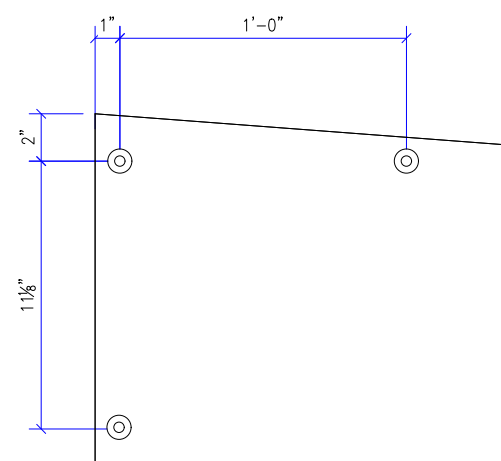
If using a ballast to weight the curtain, it should be positively attached to, and restrained within the curtain pocket by methods designed by others. Any penetrations and/or cuts caused to the curtain material due to rigid building frame structures or mechanical objects should be mended, restrained and sealed at the direction of the engineer or architect of record for the project and are beyond the scope of Smoke Guard as a material-only provider. Smoke Guard assumes no responsibility for the design of the frame curtain assembly.



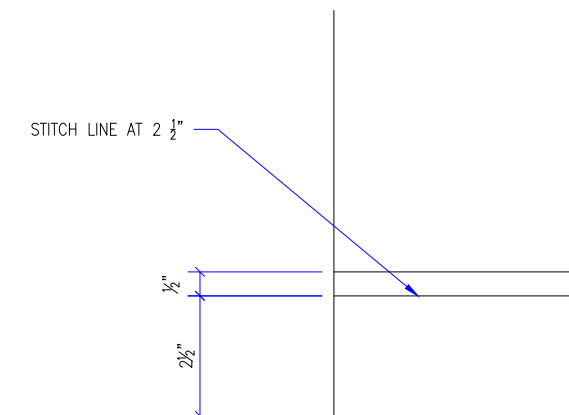
1 STATIC DRAFT ELEVATION
SCALE: 3/8" = 1'-0"



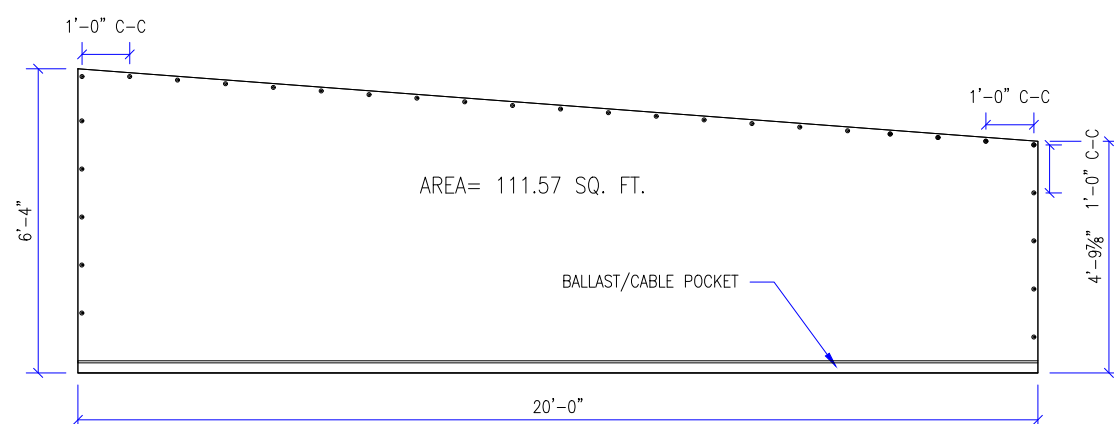
2 STATIC DRAFT SECTION E DETAIL
SCALE: 3/8" = 1'-0"



4 GROMMET DETAILS
SCALE: 1 1/2" = 1'-0"



5 BALLAST/CABLE DETAILS
SCALE: 3" = 1'-0"



3 STATIC DRAFT SECTION F DETAIL
SCALE: 1/4" = 1'-0"

NOTES: Unless otherwise specified:

1. Material for all curtains is SGTEX 10; sewing thread is ST-304.
2. All dimensions apply to finished curtains.
3. Product coating is to be uniform in thickness and appearance.
4. Weaving and sewing are to be free of defects.
5. Tops and sides require 2 inch hems.
6. Bottom of all curtains have a pipe 2.5" pocket for 1/2" pipe.
7. All seams are to be double felled seams, 6 stitches per inch.
8. The top and side edges are to be fitted with #3, 7/16" inner diameter, steel grommets positioned with the centers 1" from the edge.
9. The second and second-to-the-last grommets are 12" C-C from the first and last grommets respectively. Other grommets are on 12" centers, or as necessary to accommodate seams and curtain dimensions.

REVISION

REVISION NUMBER	REVISION DATE	REVISION DESCRIPTION
D1	3.20.19	INITIAL RELEASE

QUOTE: ----
CONFIGURATION: ----
PROJECT: ----
DIST.: ----

DESIGN SET: D1	SIZE B
MODEL: M2100DRAFT	SHEET
SHEET TITLE:	4 OF 4
DRAWN: TLM	3.18.2019