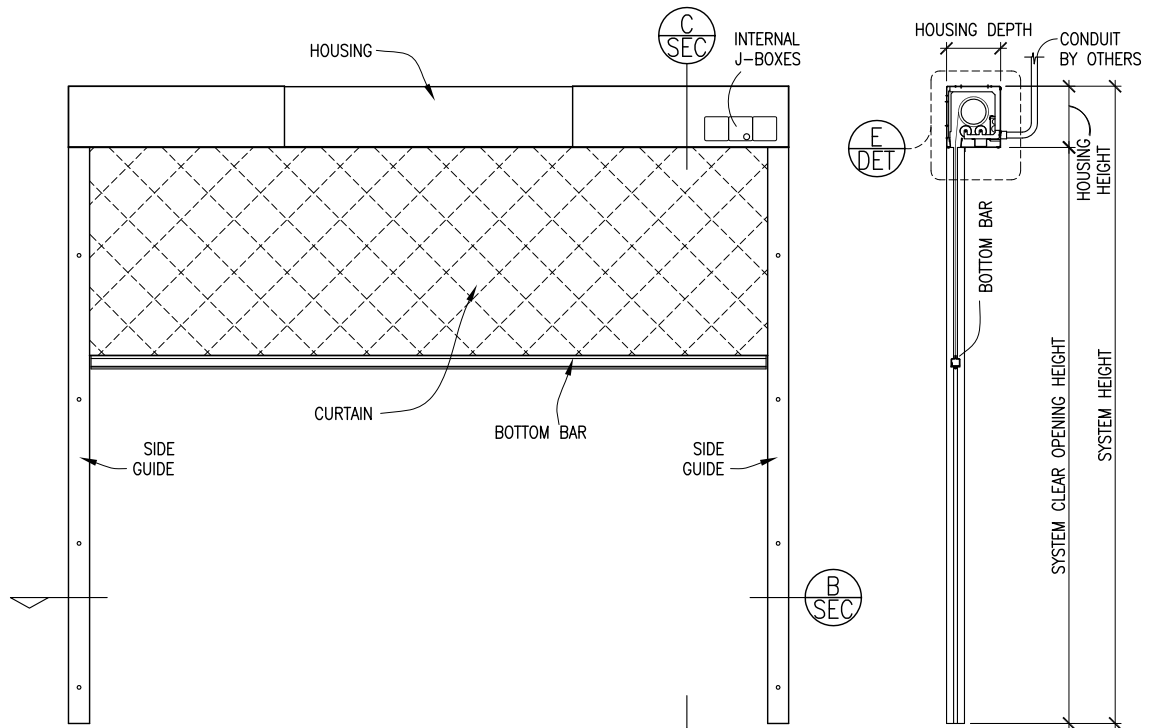


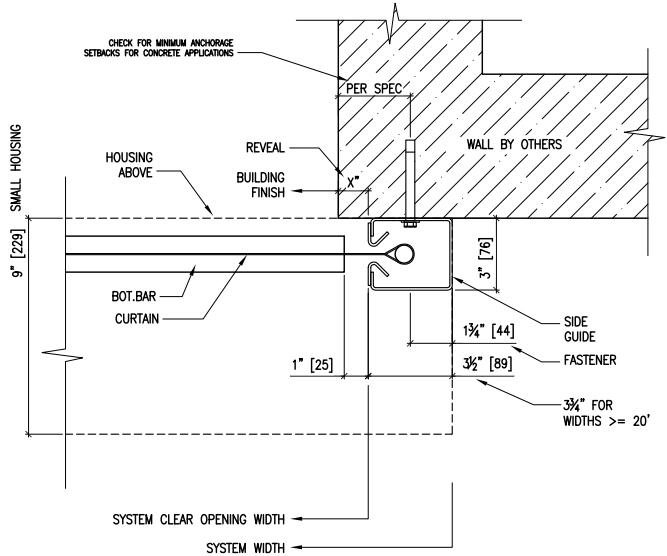
E HEAD DETAIL - SMALL HOUSING
 1 1/2" = 1'-0"
 MAX. 12' CLEAR OPENING HEIGHT

*INTERNAL J-BOX MAY BE EXTERNALLY MOUNTED
 -ACCESS REQUIRED FOR HARD CEILINGS



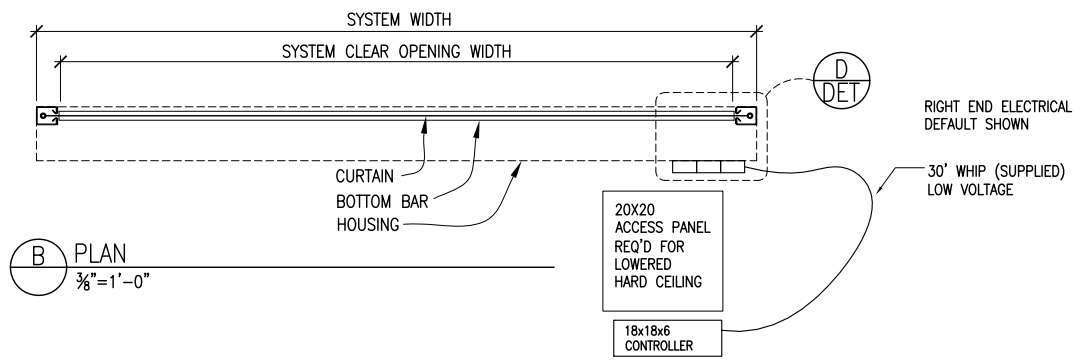
A FRONT ELEVATION
 3/8" = 1'-0"

C SECTION
 3/8" = 1'-0"



D PLAN DETAIL AT GUIDE
 1 1/2" = 1'-0"

LARGE HOUSING SIZE AT SYSTEMS GREATER THAN 12' CLEAR OPENING HEIGHT
 3/4" SIDE GUIDE WIDTH AT SYSTEMS GREATER THAN 20' CLEAR OPENING HEIGHT



B PLAN
 3/8" = 1'-0"

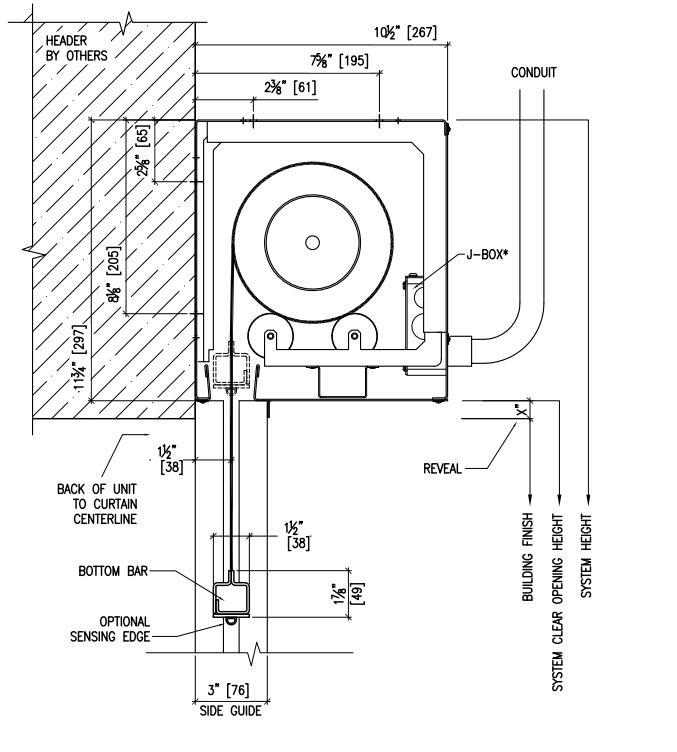
D DET

DESIGN DETAILS
 SMALL HOUSING
 MAX 12' CLEAR HT

DD1SM
 M2500

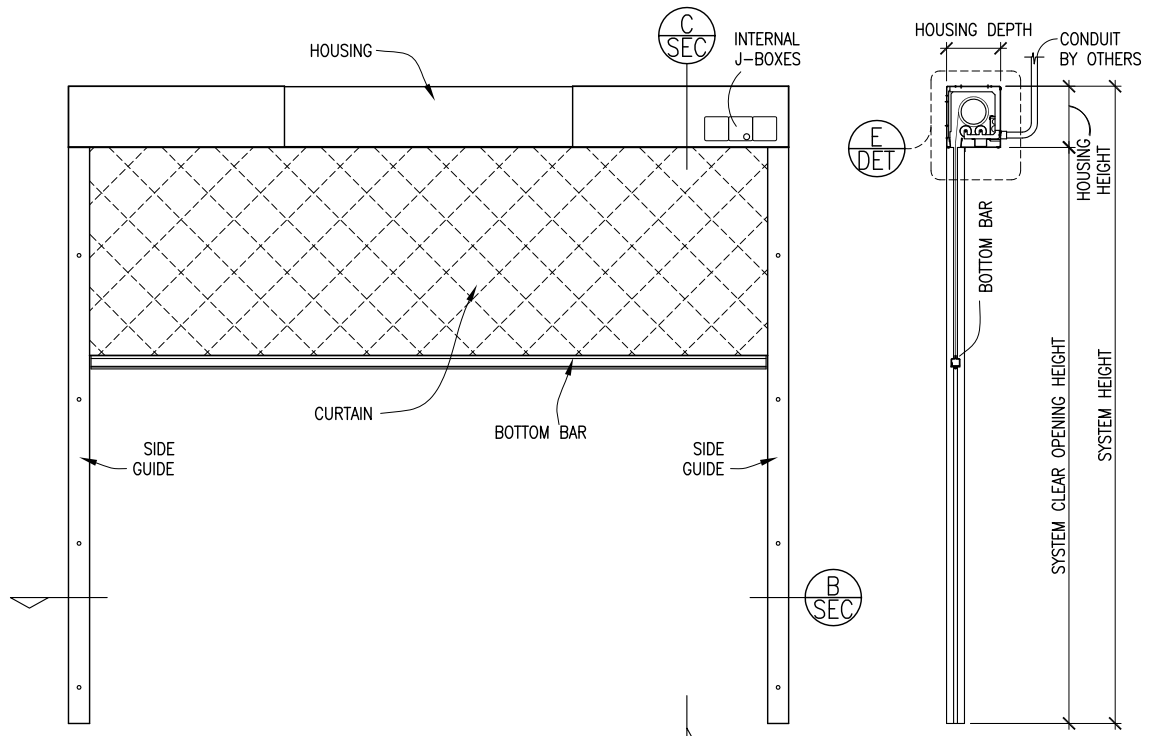
BY: HCK
 7.24.2015
 M2500.v4-2





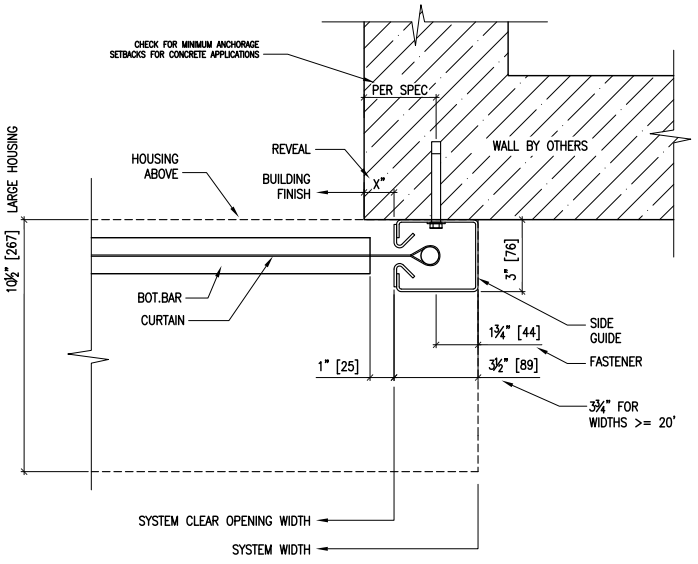
E HEAD DETAIL - LARGE HOUSING
 1 1/2" = 1'-0"
 OVER 12' CLEAR OPENING HEIGHT

*INTERNAL J-BOX MAY BE EXTERNALLY MOUNTED - ACCESS REQUIRED FOR HARD CEILINGS



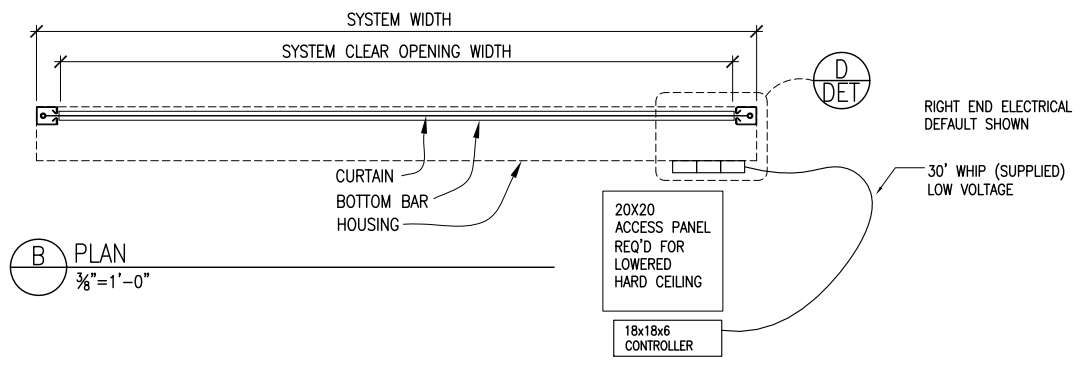
A FRONT ELEVATION
 3/8" = 1'-0"

C SECTION
 3/8" = 1'-0"



D PLAN DETAIL AT GUIDE
 1 1/2" = 1'-0"

LARGE HOUSING SIZE AT SYSTEMS GREATER THAN 12' CLEAR OPENING HEIGHT
 3/4" SIDE GUIDE WIDTH AT SYSTEMS GREATER THAN 20' CLEAR OPENING WIDTH



B PLAN
 3/8" = 1'-0"

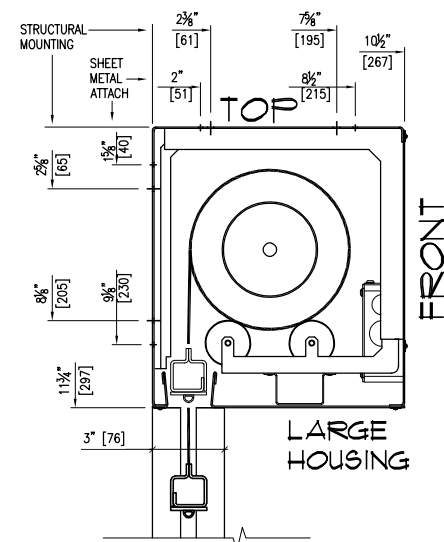
DESIGN DETAILS
 LARGE HOUSING
 12'+ CLEAR HT
 DD1LG
 M2500
 BY: HCK
 7.24.2015
 M2500.v4-2



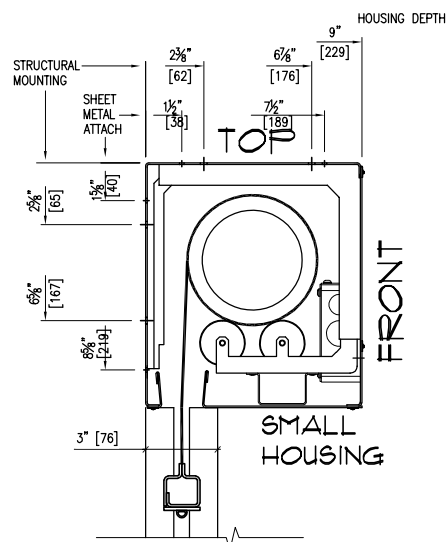
M2500 MOUNTING NOTES
 THE FOLLOWING APPLY FOR EITHER OVERHEAD OR REAR MOUNTED SYSTEMS:

STRUCTURAL ATTACHMENT-
 CLIENT TO PROVIDE SUFFICIENT BACKING FOR LOADS GIVEN PER UNIT.
 STRUCTURAL ATTACHMENT LOCATIONS OCCUR AT 18" FROM EACH END,
 AND THEN NO MORE THAN 9'-5" ON CENTERS - SEE SHOP DRAWINGS
 FOR YOUR SPECIFIC HOUSING. HOLES FOR (2) 1/4" FASTENERS
 PROVIDED AT EACH LOCATION

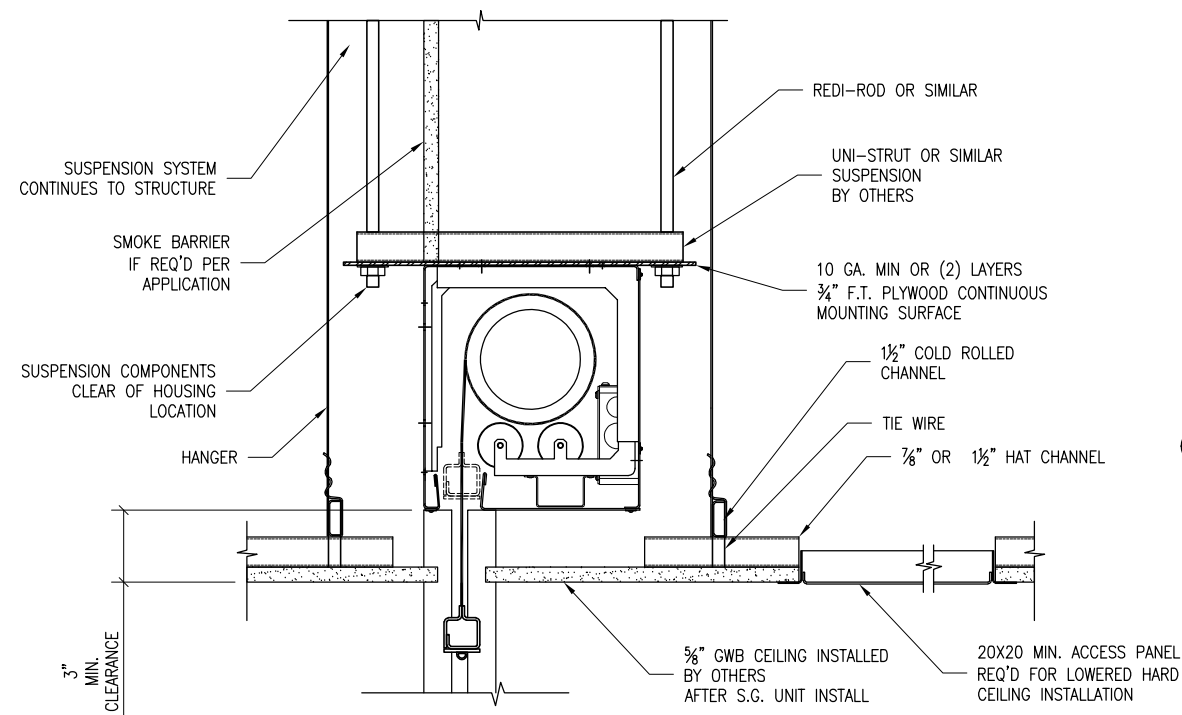
SHEETMETAL ATTACHMENT-
 HOUSINGS MUST BE SECURED TO BACKING ON THE MOUNTING SURFACE
 AT NO MORE 48" ON CENTER, (2) FASTENERS PER LOCATION. SOME
 HOLES FOR #10 SCREWS PROVIDED, SOME REQUIRE DRILLING ON SITE



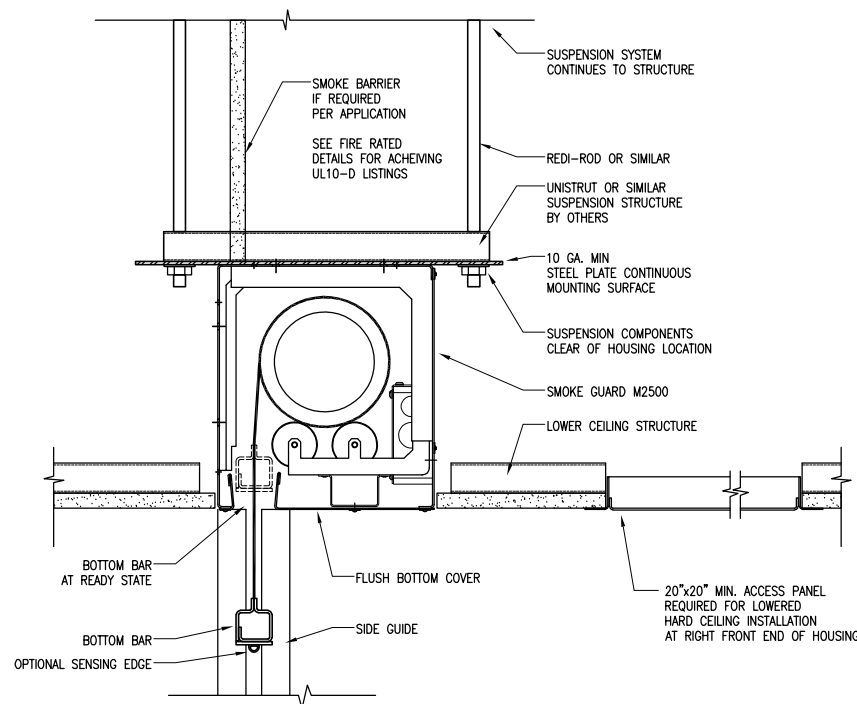
6 M2500 LARGE HOUSING DIMENSIONS
 12' AND GREATER CLEAR OPENING HEIGHT



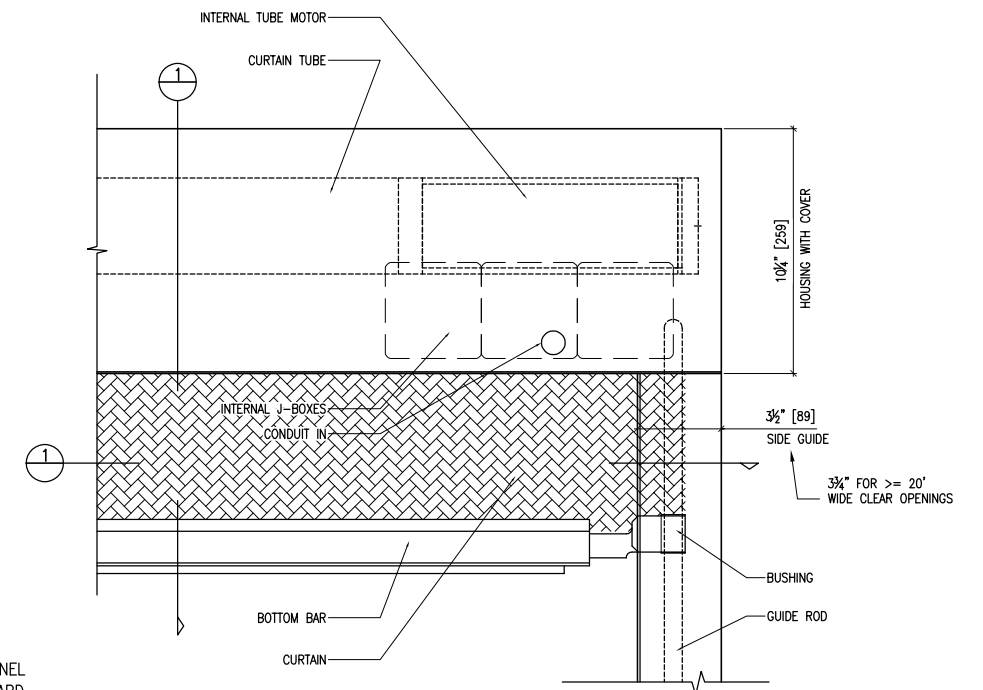
5 M2500 SMALL HOUSING DIMENSIONS
 UNDER 12' CLEAR OPENING HEIGHT



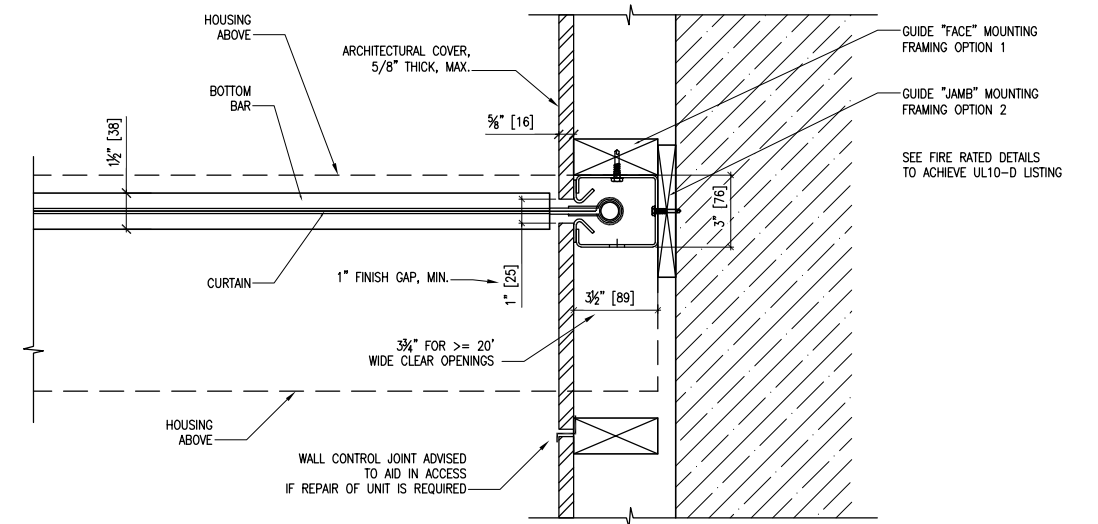
4 M2500 DROPPED CEILING
 SMOKE RATED SHOWN



3 M2500 FLUSH COVER - SMOKE RATED SHOWN

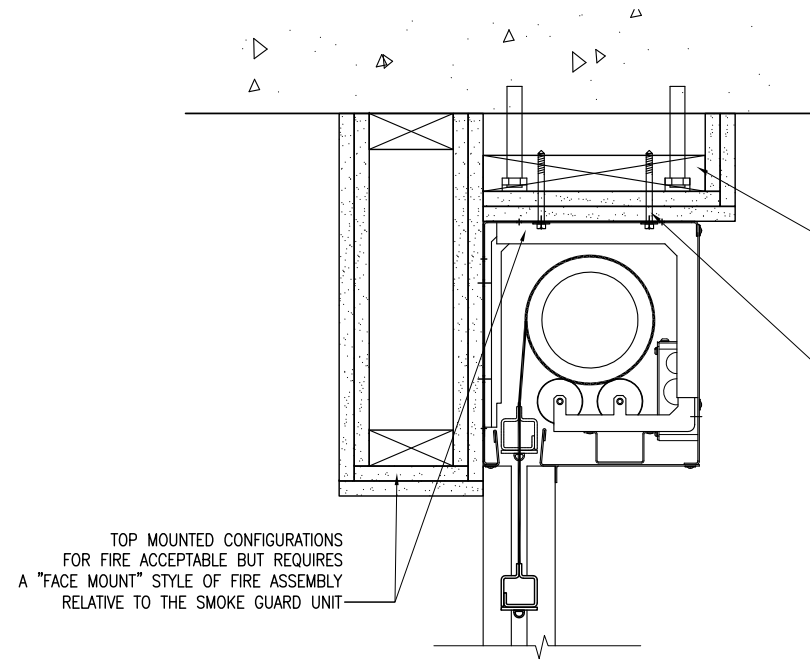


2 M2500 ELEVATION
 SINGLE MOTOR (UNDER 20' WIDTH OPENING)



1 M2500 SIDE GUIDE DETAIL
 SMOKE CONDITION SHOWN
 SINGLE MOTOR (UNDER 20' WIDTH OPENING)



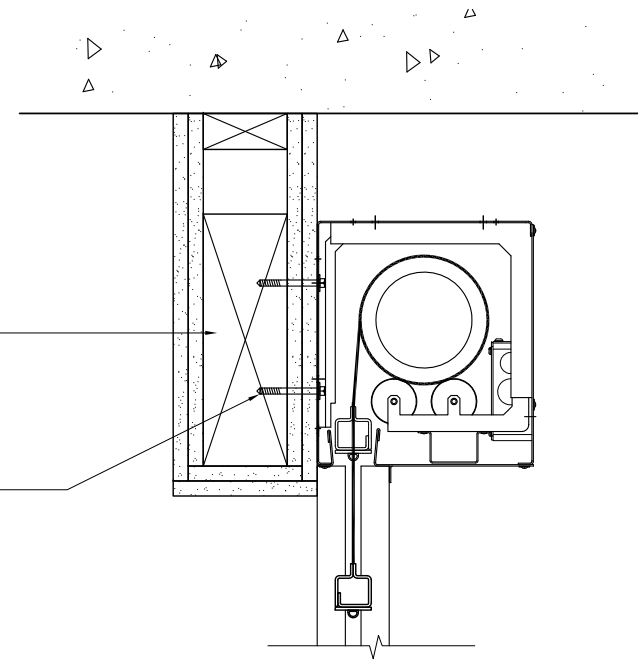


TOP MOUNTED CONFIGURATIONS FOR FIRE ACCEPTABLE BUT REQUIRES A "FACE MOUNT" STYLE OF FIRE ASSEMBLY RELATIVE TO THE SMOKE GUARD UNIT

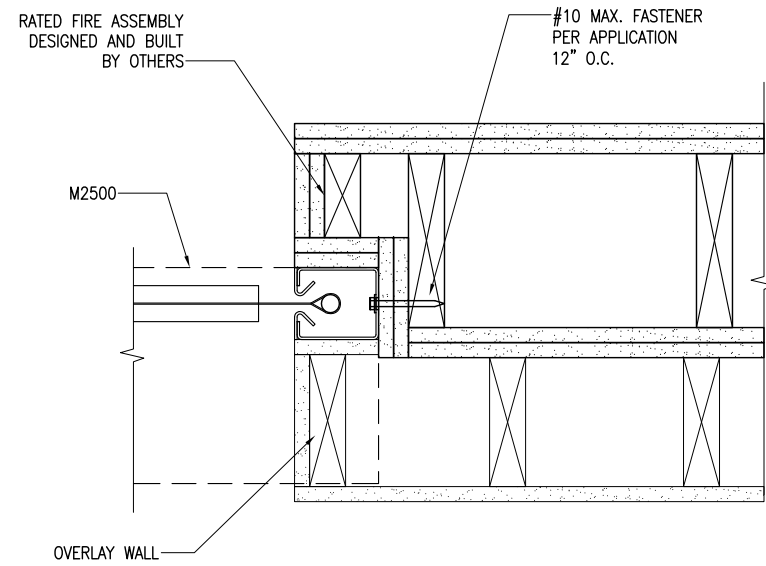
4 HEADBOX AT ROLLER - TOP MOUNT
1½"=1'-0"

HEADER DESIGNED AND BUILT BY OTHERS

#12 MIN/ #14 MAX FASTENER PER SUBSTRATE APPLICATION
150 LBS MAX LOAD PER HANGER LOCATION
MAX DISTANCE 9'-6" O.C. AND 1'-6" FROM ENDS TYP.

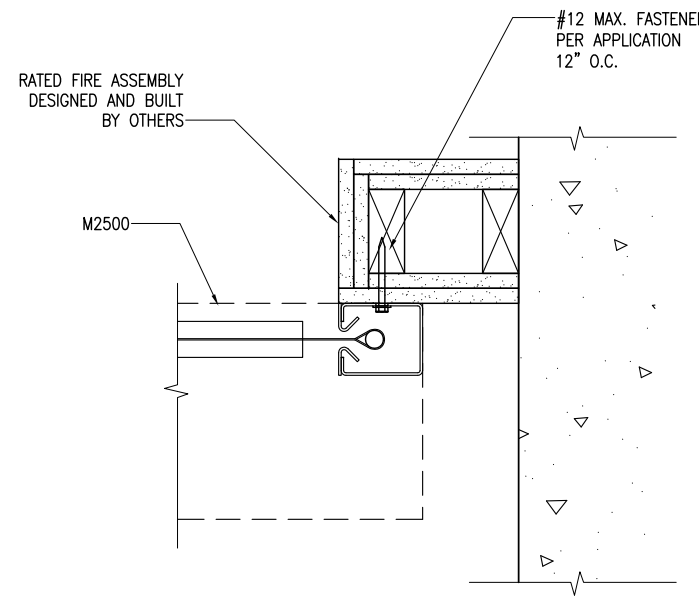


3 HEADBOX AT ROLLER - FACE MOUNT
1½"=1'-0"



GUIDE DETAIL - JAMB MOUNT, @ STAGGERED RATED ASSEMBLY INLINE W/ WALL, NON-RATED OVERLAY

2
1½"=1'-0"



1 SIDE GUIDE AS TESTED - FACE MOUNT
1½"=1'-0"

FIRE RATED DETAILS

- NOTES:
 --WALL ASSEMBLY RATINGS ARE INDEPENDENT OF THE SG-M2500
 --AN APPROVED WALL ASSEMBLY IN ORIENTATION SHOWN IS REQUIRED TO MEET UL10d LISTING (FIRE LISTING)

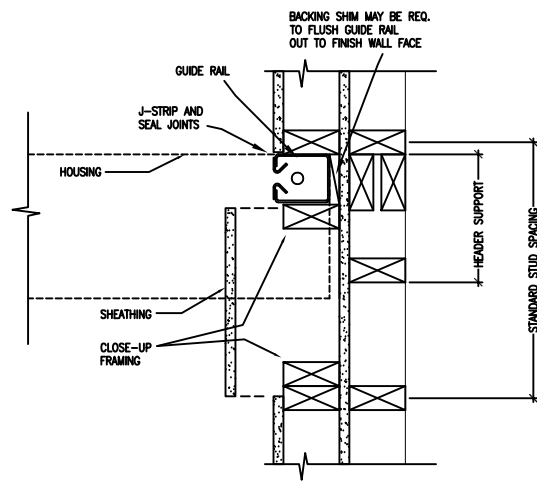
DESIGN DETAILS DD3

M2500

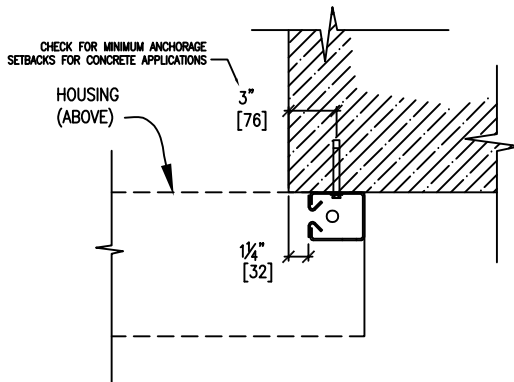
BY: HGK

7.24.2014

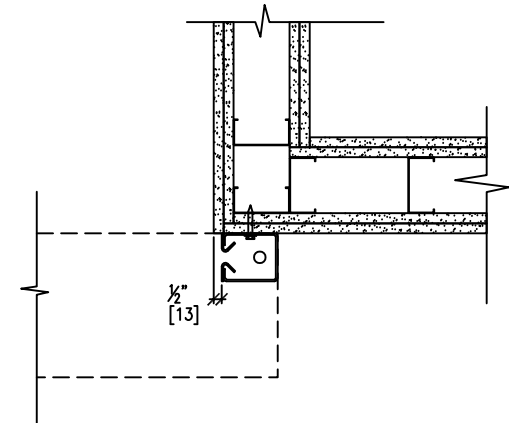




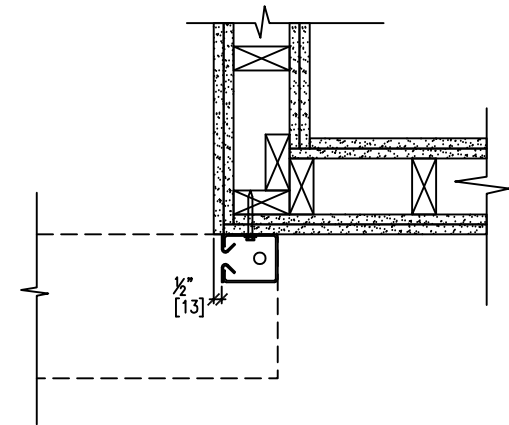
5 BURIED SIDE GUIDE DETAIL - SMOKE RATED SHOWN
 $\frac{1}{2}''=1'-0''$



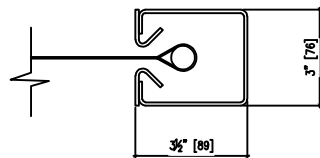
3 GUIDE RAIL TO MASONRY
 $\frac{1}{2}''=1'-0''$



2 GUIDE RAIL TO STEEL STUD
 $\frac{1}{2}''=1'-0''$ 2HR RATED WALL



1 GUIDE RAIL TO WOOD STUD
 $\frac{1}{2}''=1'-0''$ 2HR RATED WALL



FOR UNDER 20' - CLEAR OPENING WIDTH

4 M2500 GUIDE DIMENSIONS
 $\frac{3}{4}''=1'-0''$

DESIGN DETAILS

DD4

M2500

BY: TLM

2.5.2019

