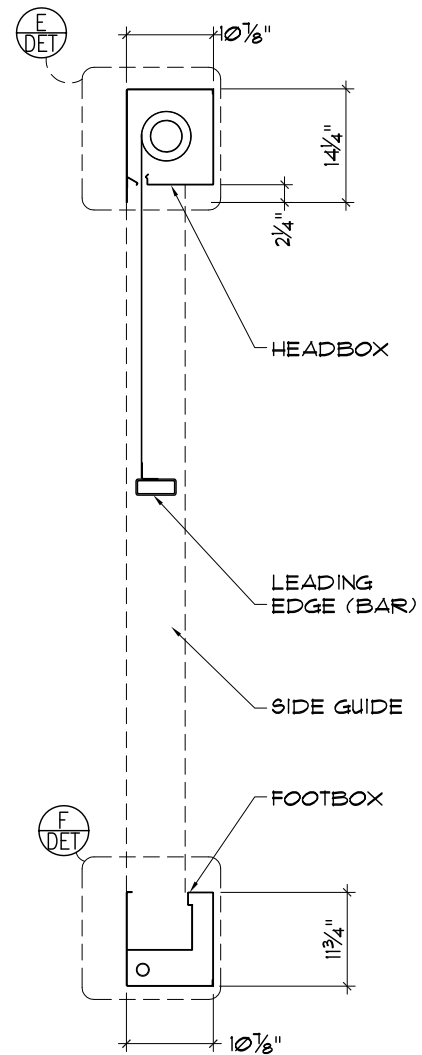
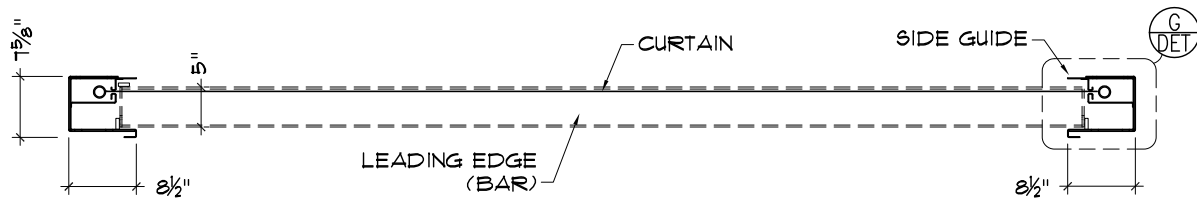


A PLAN VIEW, MOUNTING SURFACE
1/2" = 1'-0"



B SECTION
1/2" = 1'-0"



C SECTION
1/2" = 1'-0"

SG-M3000

DD1

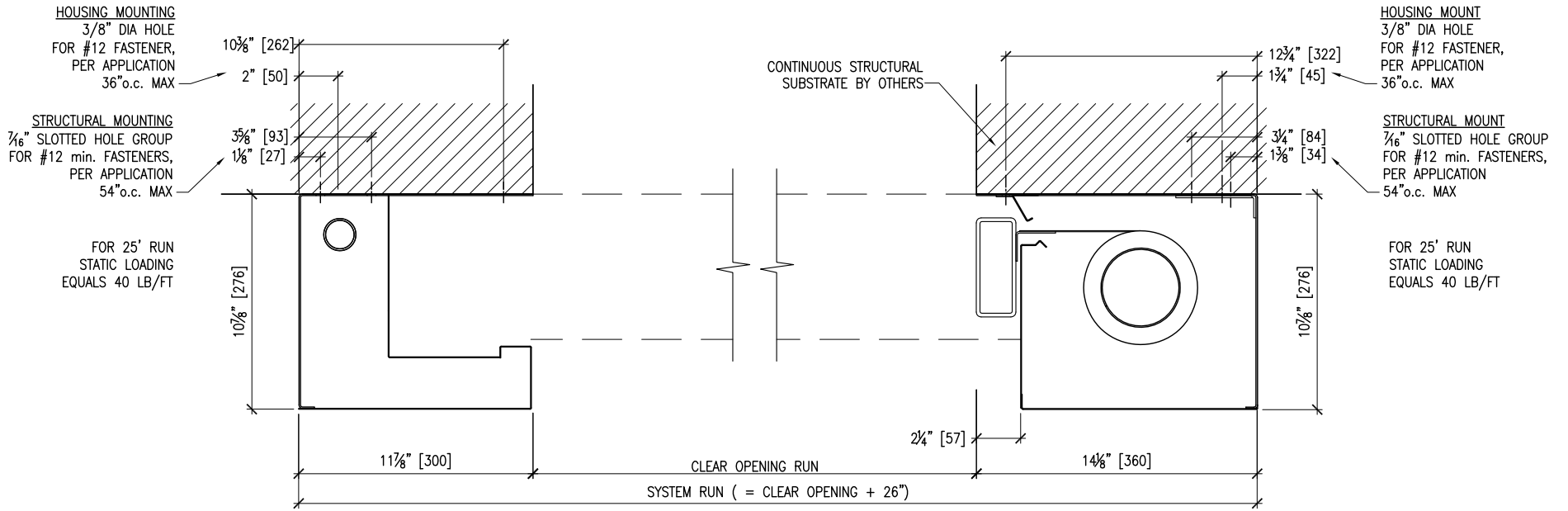
DESIGN DETAILS

M3000

BY: HGK

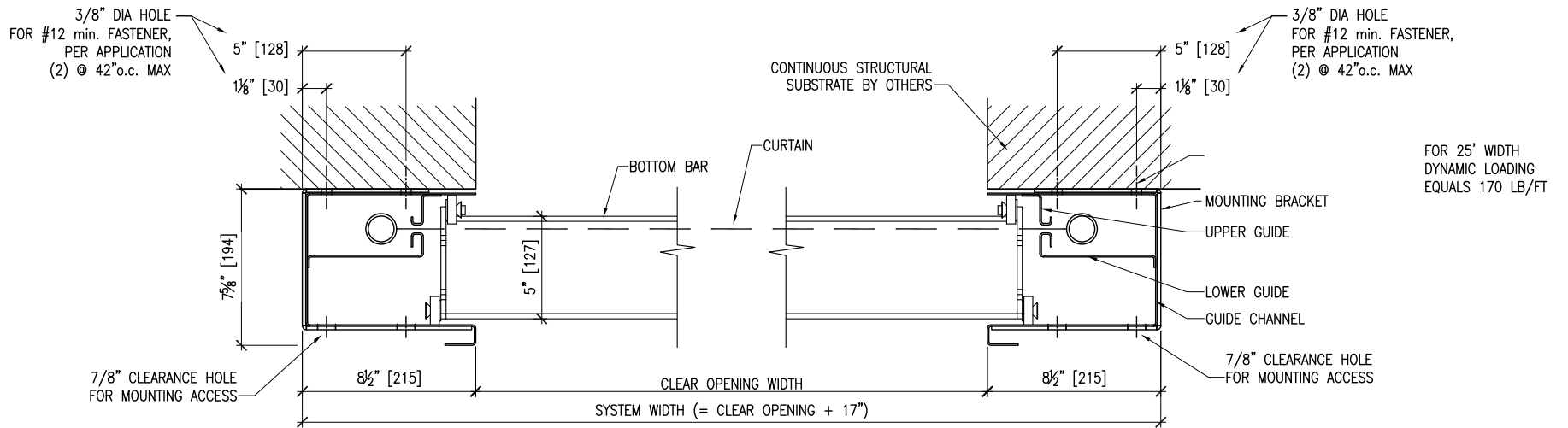
2.11.2015





D FOOTBOX DETAIL
1/2"=1'-0"

E HEADBOX DETAIL
1/2"=1'-0"



C GUIDE RAIL DETAIL
1/2"=1'-0"

SG-M3000

DD2

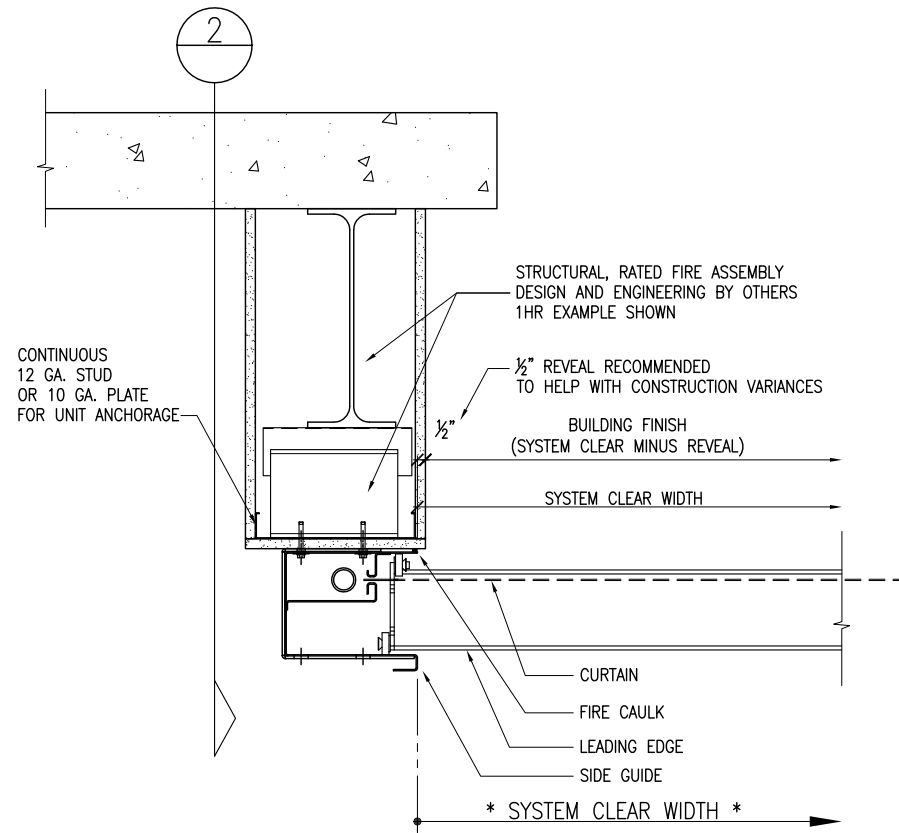
DESIGN DETAILS

M3000

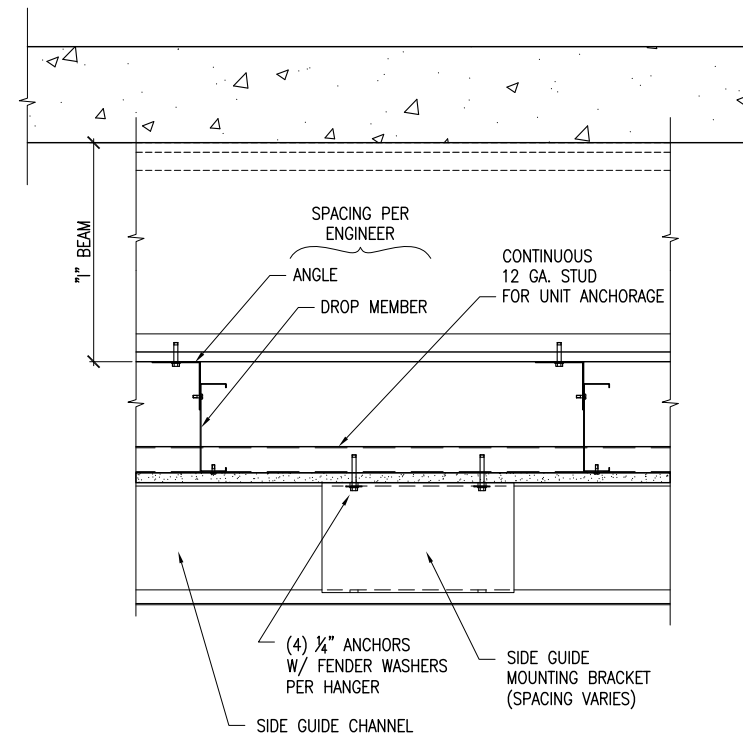
BY: HGK

2.11.2015

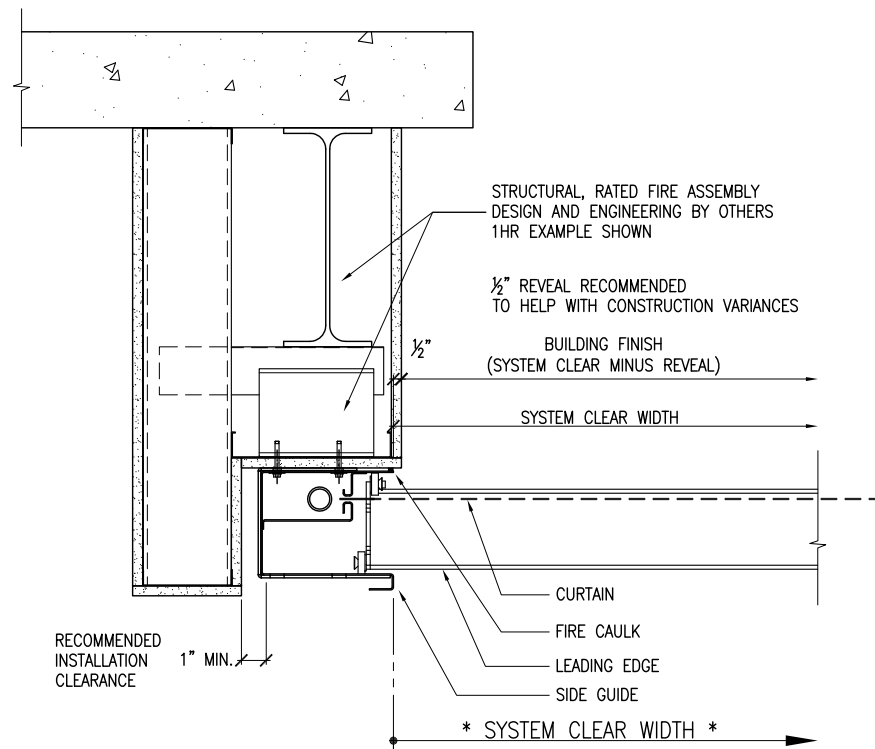




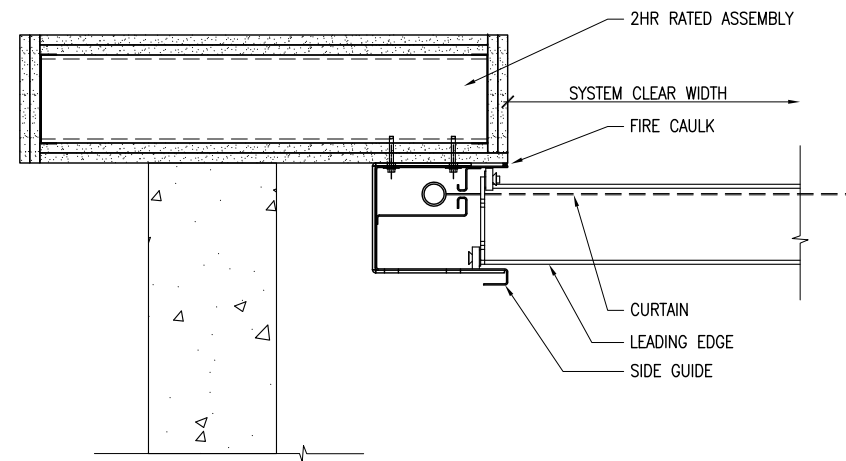
4 M3000 EXAMPLE
MINIMUM DROP RATED HEADER @ SIDE GUIDE



2 M3000 EXAMPLE
STRUCTURAL MOUNTING



3 M3000 EXAMPLE
DROP RATED NOTCH HEADER @ SIDE GUIDE



1 SYSTEM AS TESTED - HEAD & FOOTBOX SIM.

GENERIC DESIGN DETAILS
scale: 1"=1'-0"

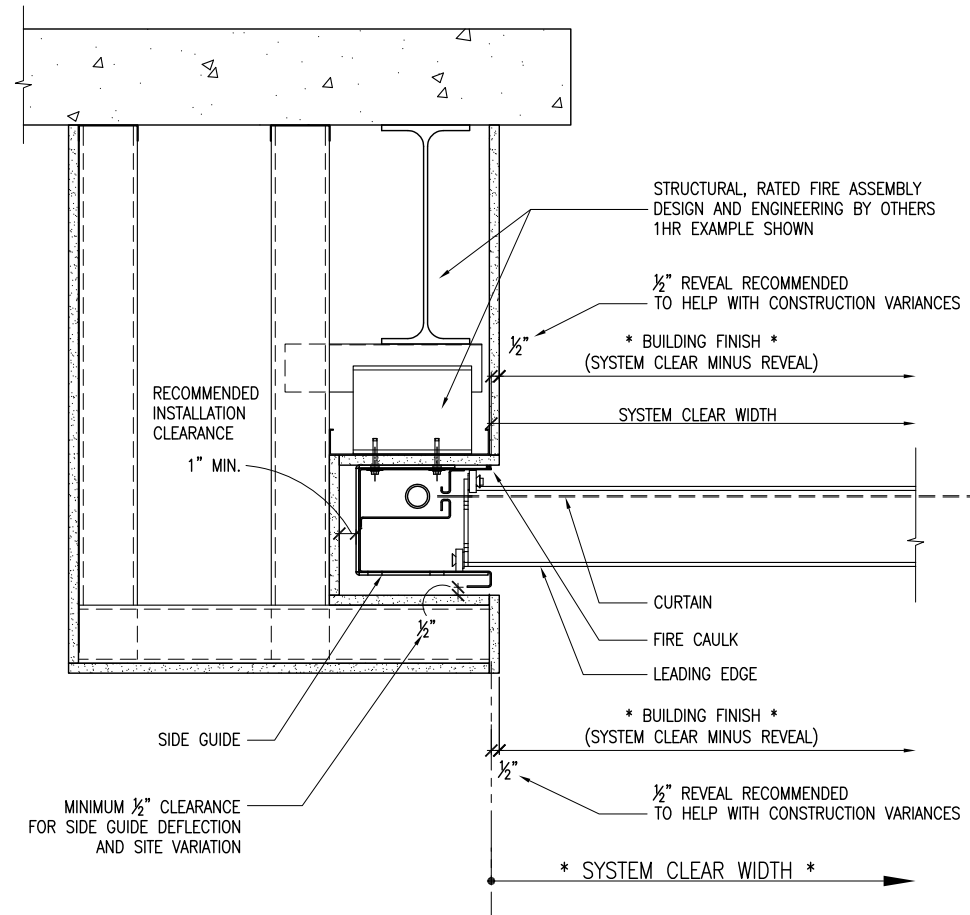
M3000

BY: HGK

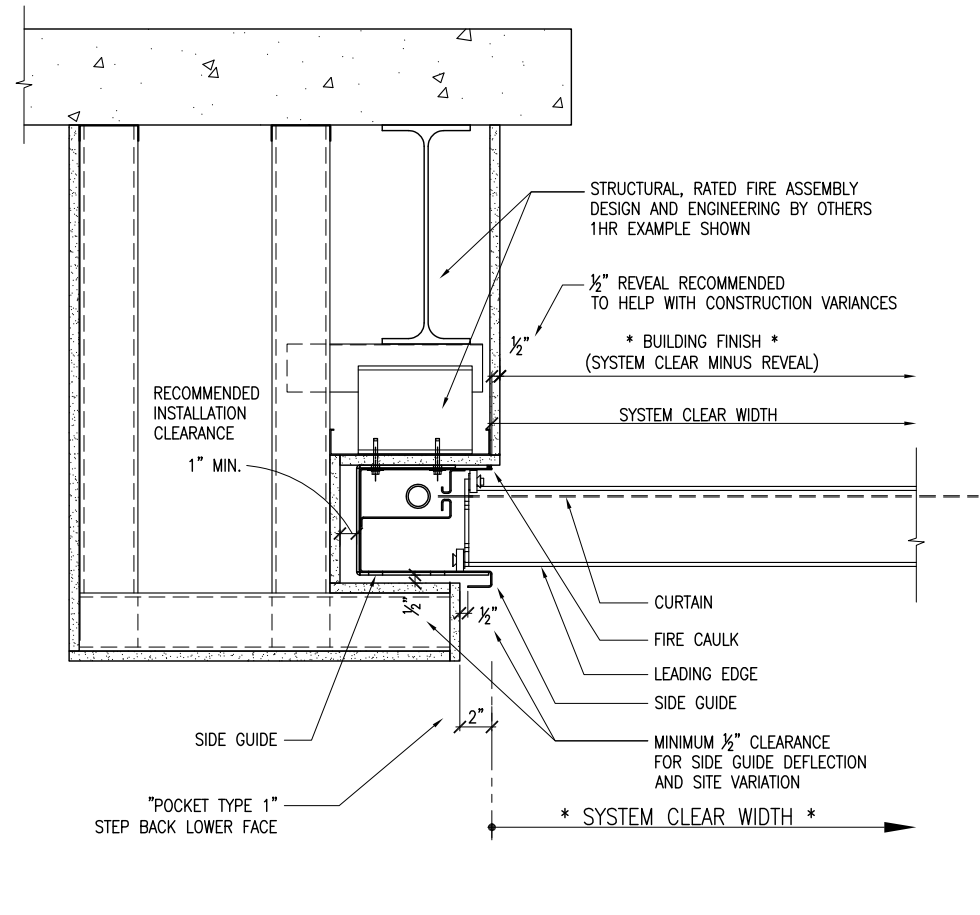
SG-1

9.24.2015

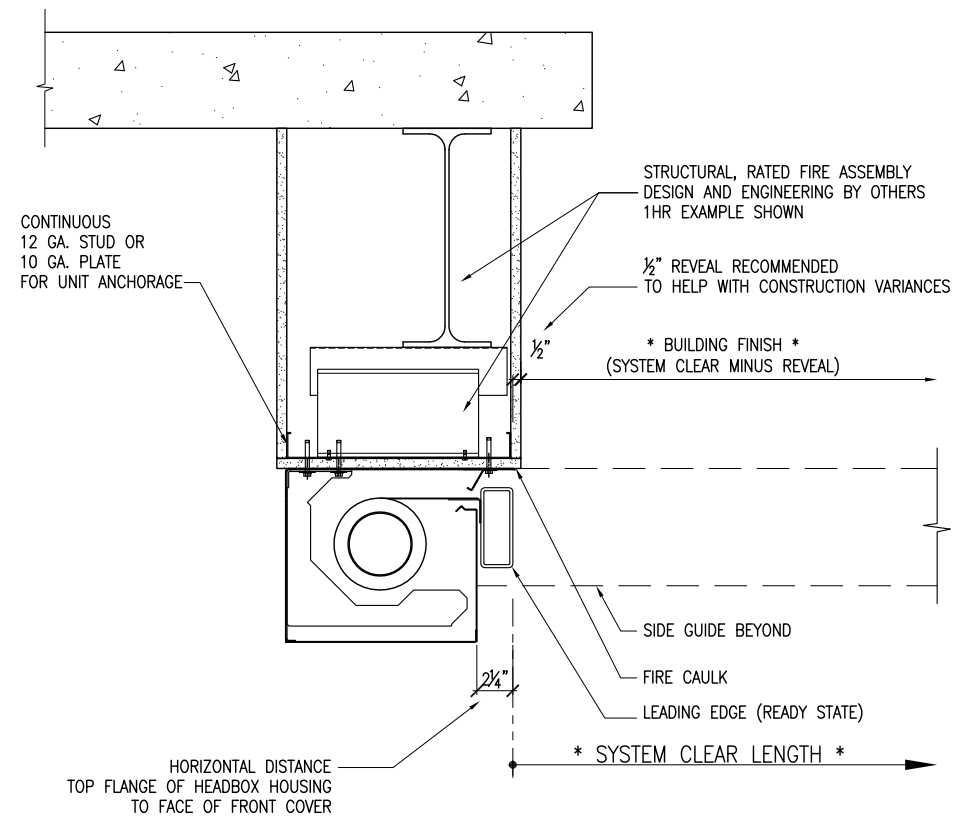




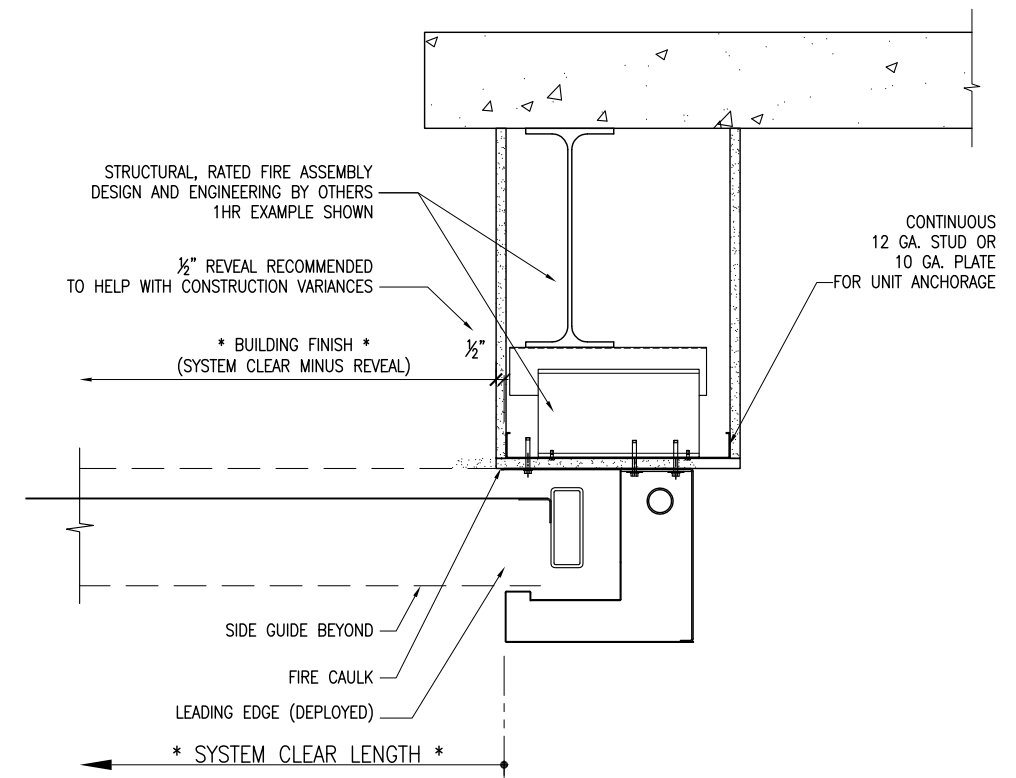
6 M3000 EXAMPLE
DROP RATED HEADER POCKET-2 @ SIDE GUIDE



5 M3000 EXAMPLE
DROP RATED HEADER POCKET-1 @ SIDE GUIDE



8 M3000 EXAMPLE
DROP RATED HEADER @ HEADBOX



7 M3000 EXAMPLE
DROP RATED HEADER @ FOOTBOX

GENERIC DESIGN DETAILS
scale: 1"=1'-0"

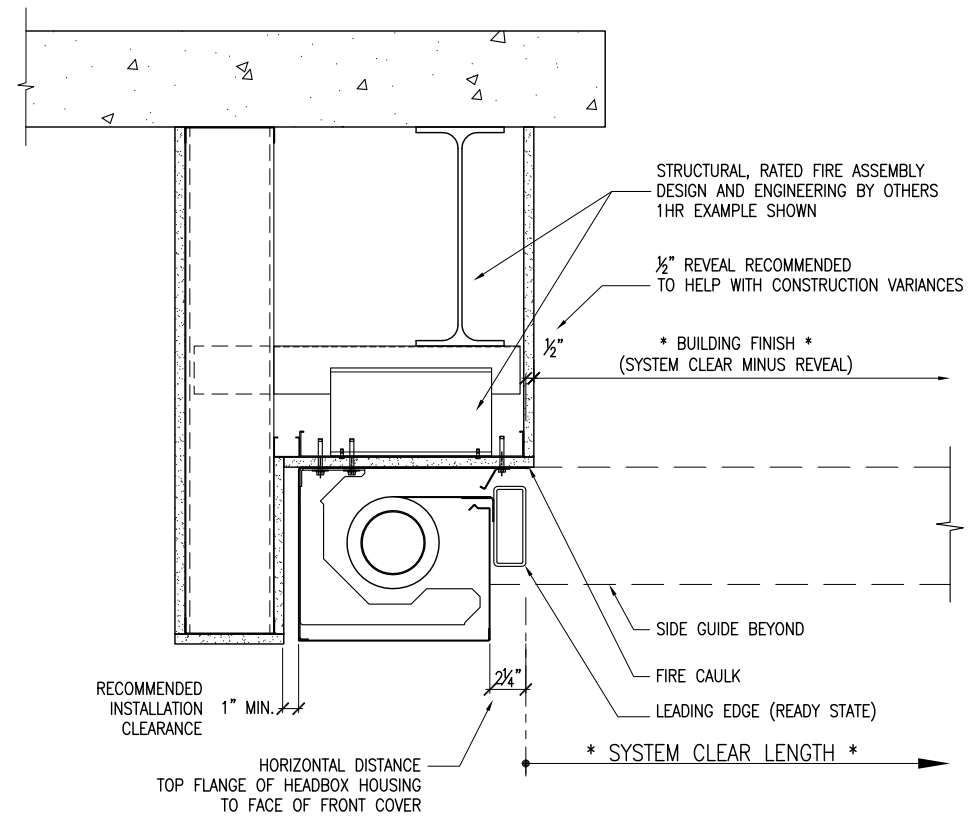
SG-3

M3000

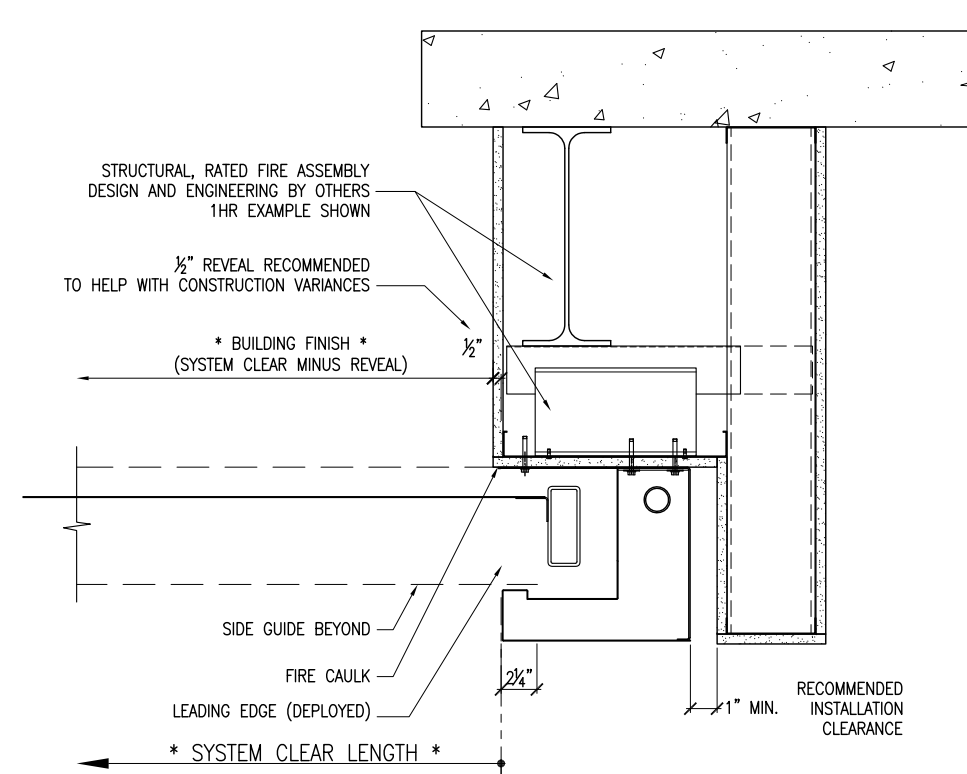
BY: HGK

9.24.2015





8 M3000 EXAMPLE
DROP RATED NOTCH HEADER @ HEADBOX



7 M3000 EXAMPLE
DROP RATED NOTCH HEADER @ FOOTBOX

GENERIC DESIGN DETAILS
scale: 1"=1'-0"

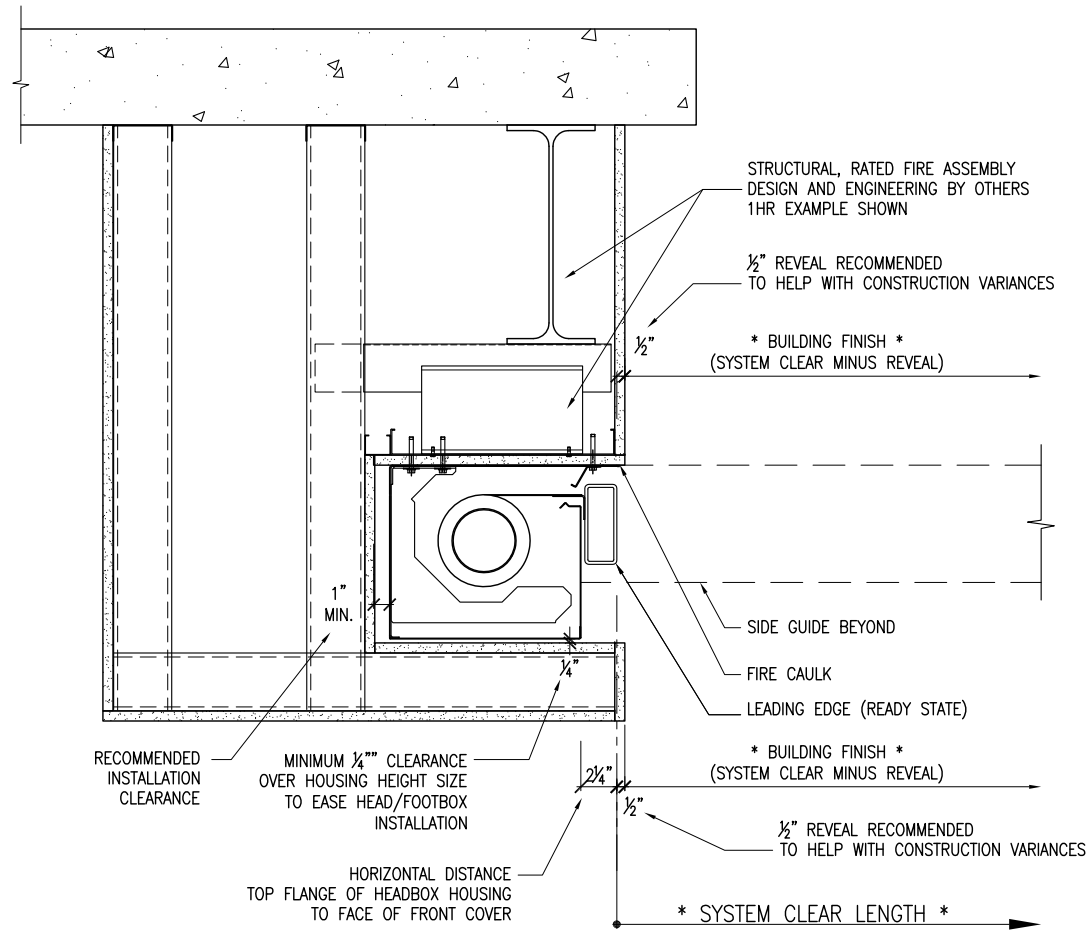
SG-4

M3000

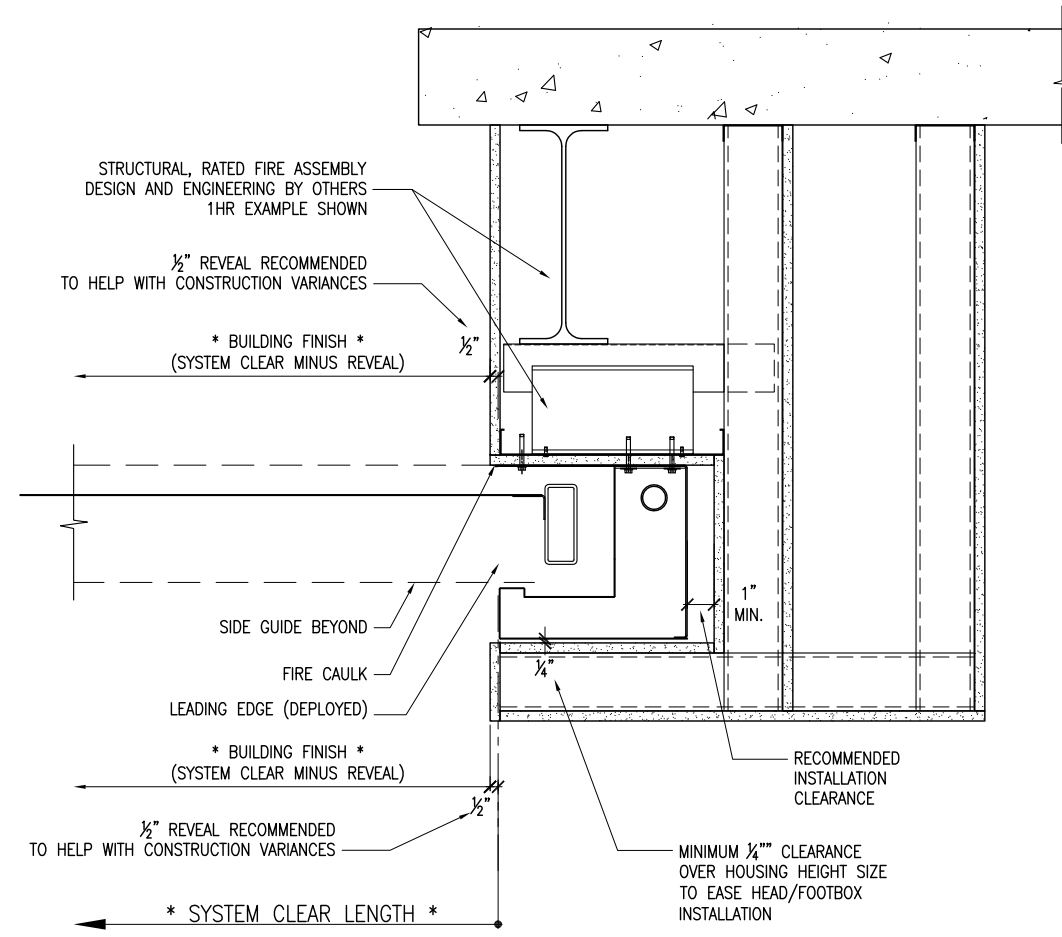
BY: HGK

9.24.2015





10 M3000 EXAMPLE
DROP RATED NOTCH HEADER @ HEADBOX



9 M3000 EXAMPLE
DROP RATED NOTCH HEADER @ FOOTBOX