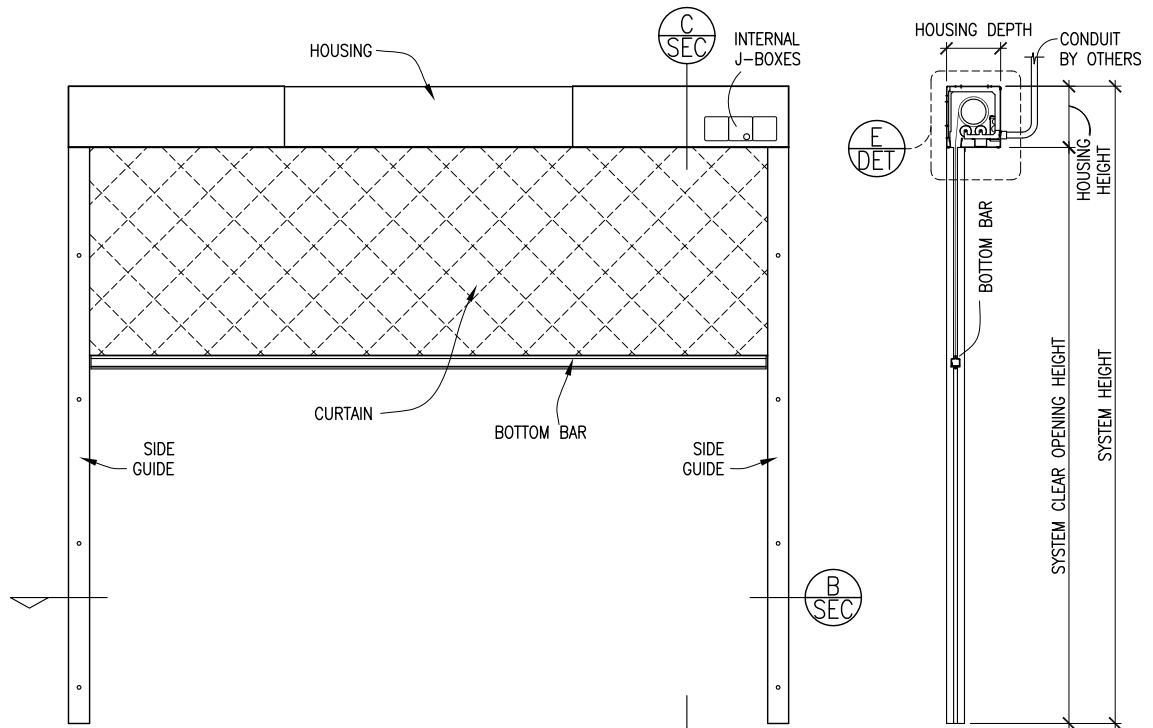


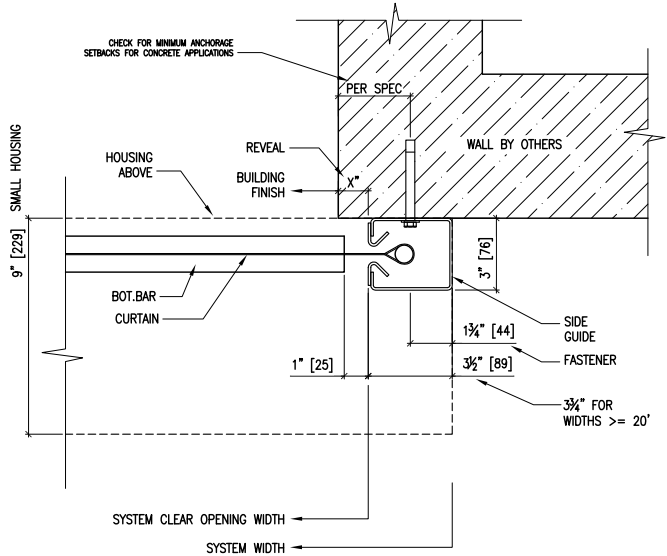
**E** HEAD DETAIL - SMALL HOUSING  
 1 1/2" = 1'-0"  
 MAX. 12' CLEAR OPENING HEIGHT

\*INTERNAL J-BOX MAY BE EXTERNALLY MOUNTED  
 -ACCESS REQUIRED FOR HARD CEILINGS



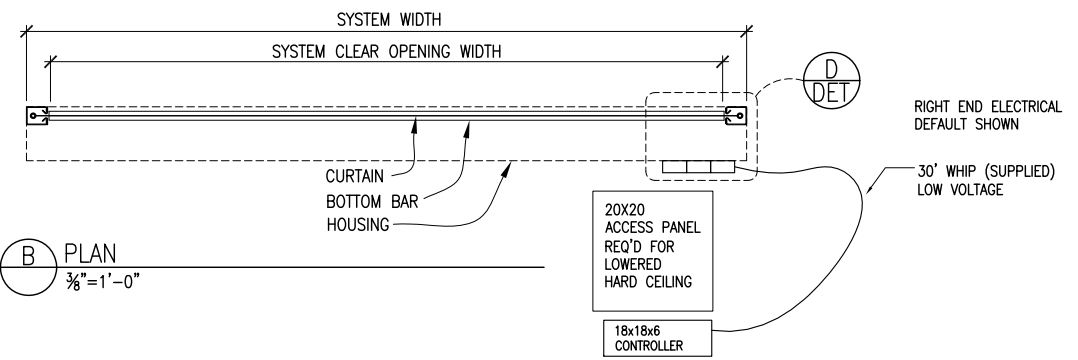
**A** FRONT ELEVATION  
 3/8" = 1'-0"

**C** SECTION  
 3/8" = 1'-0"



**D** PLAN DETAIL AT GUIDE  
 1 1/2" = 1'-0"

LARGE HOUSING SIZE AT SYSTEMS GREATER THAN 12' CLEAR OPENING HEIGHT  
 3/4" SIDE GUIDE WIDTH AT SYSTEMS GREATER THAN 20' CLEAR OPENING HEIGHT



**B** PLAN  
 3/8" = 1'-0"

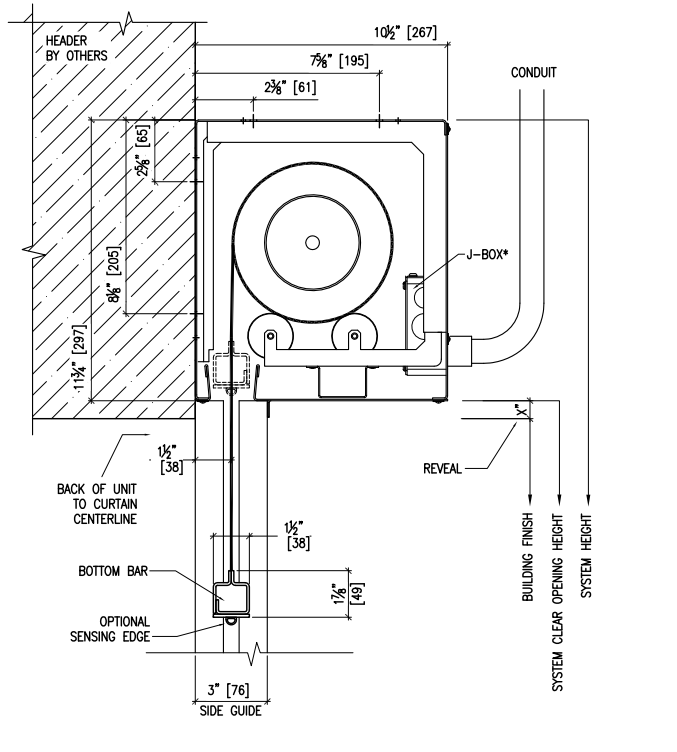
**D** DET

DESIGN DETAILS  
 SMALL HOUSING  
 MAX 12' CLEAR HT

DD1SM  
 M2500

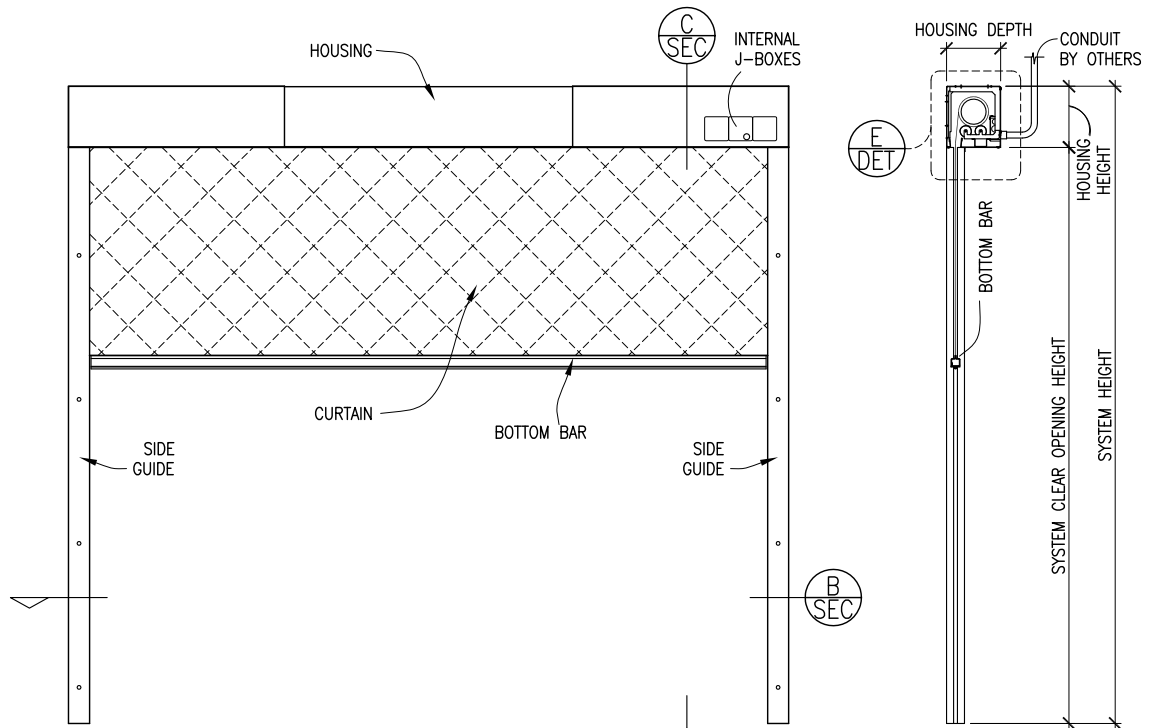
BY: HCK  
 7.24.2015  
 M2500.v4-2





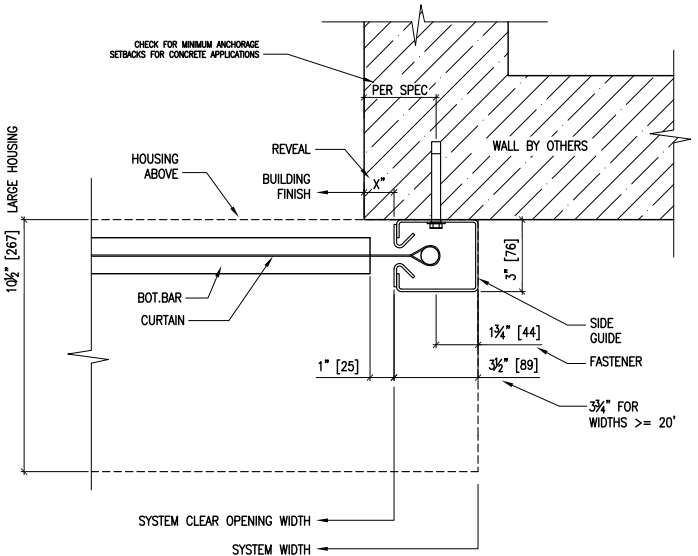
**E HEAD DETAIL - LARGE HOUSING**  
 1 1/2" = 1'-0"  
 OVER 12' CLEAR OPENING HEIGHT

\*INTERNAL J-BOX MAY BE EXTERNALLY MOUNTED - ACCESS REQUIRED FOR HARD CEILINGS



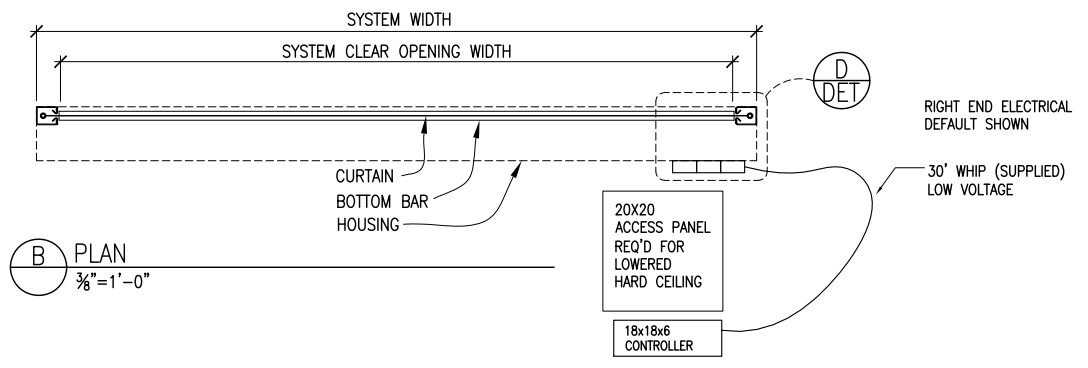
**A FRONT ELEVATION**  
 3/8" = 1'-0"

**C SECTION**  
 3/8" = 1'-0"



**D PLAN DETAIL AT GUIDE**  
 1 1/2" = 1'-0"

LARGE HOUSING SIZE AT SYSTEMS GREATER THAN 12' CLEAR OPENING HEIGHT  
 3/4" SIDE GUIDE WIDTH AT SYSTEMS GREATER THAN 20' CLEAR OPENING WIDTH



**B PLAN**  
 3/8" = 1'-0"

**D DET**  
 RIGHT END ELECTRICAL DEFAULT SHOWN

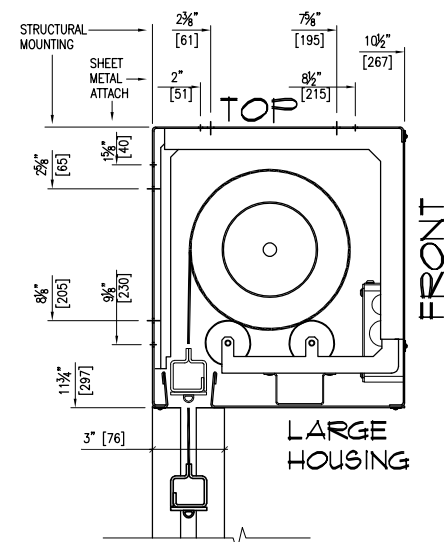
DESIGN DETAILS  
 LARGE HOUSING  
 12'+ CLEAR HT  
 DD1LG  
 M2500  
 BY: HCK  
 7.24.2015  
 M2500.v4-2



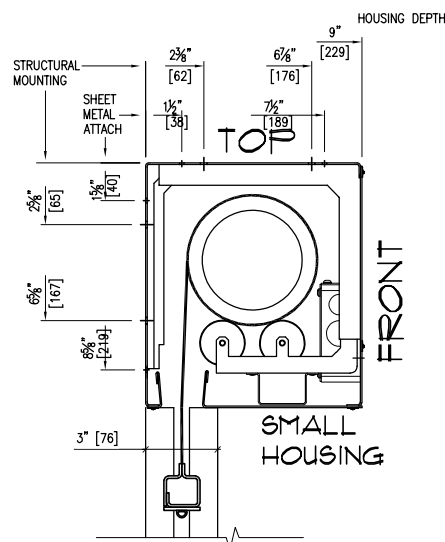
M2500 MOUNTING NOTES  
 THE FOLLOWING APPLY FOR EITHER OVERHEAD OR REAR MOUNTED SYSTEMS:

STRUCTURAL ATTACHMENT-  
 CLIENT TO PROVIDE SUFFICIENT BACKING FOR LOADS GIVEN PER UNIT.  
 STRUCTURAL ATTACHMENT LOCATIONS OCCUR AT 18" FROM EACH END,  
 AND THEN NO MORE THAN 9'-5" ON CENTERS - SEE SHOP DRAWINGS  
 FOR YOUR SPECIFIC HOUSING. HOLES FOR (2) 1/4" FASTENERS  
 PROVIDED AT EACH LOCATION

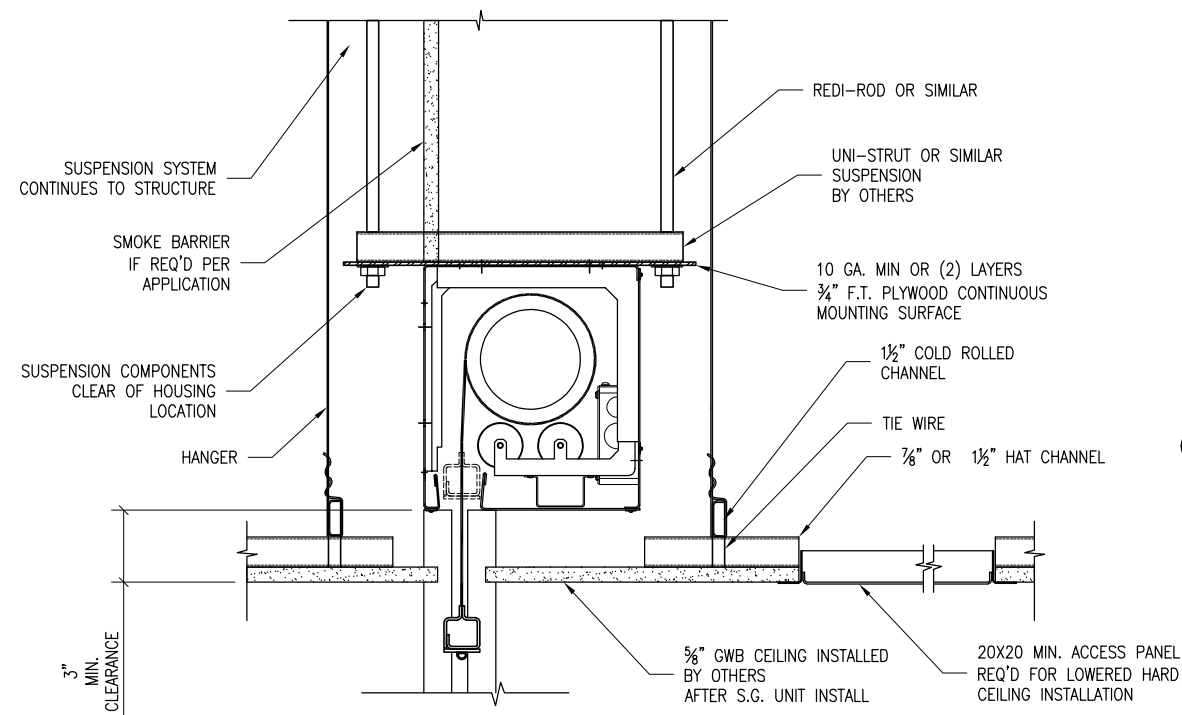
SHEETMETAL ATTACHMENT-  
 HOUSINGS MUST BE SECURED TO BACKING ON THE MOUNTING SURFACE  
 AT NO MORE 48" ON CENTER, (2) FASTENERS PER LOCATION. SOME  
 HOLES FOR #10 SCREWS PROVIDED, SOME REQUIRE DRILLING ON SITE



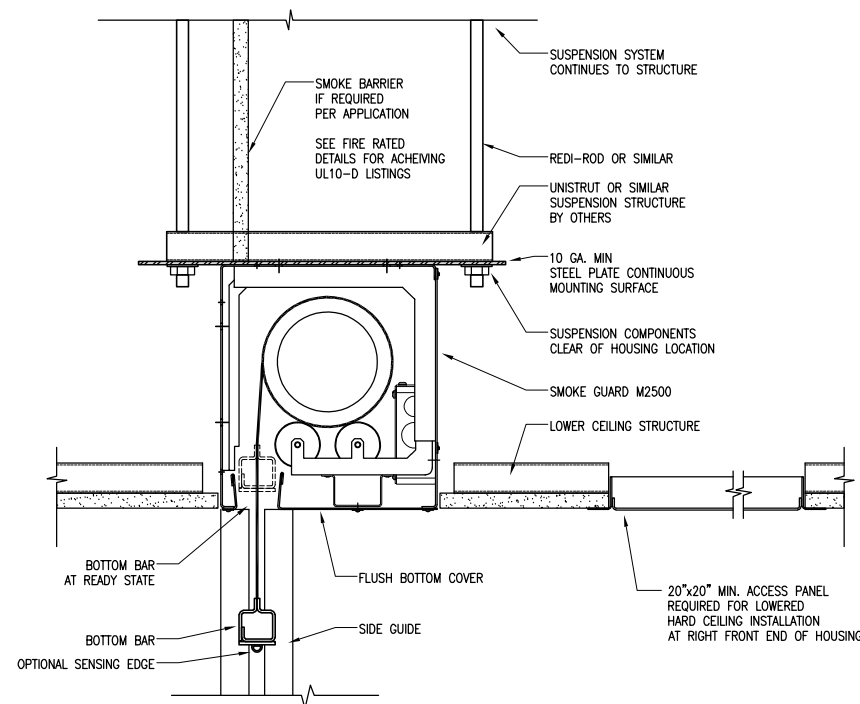
6 M2500 LARGE HOUSING DIMENSIONS  
 12' AND GREATER CLEAR OPENING HEIGHT



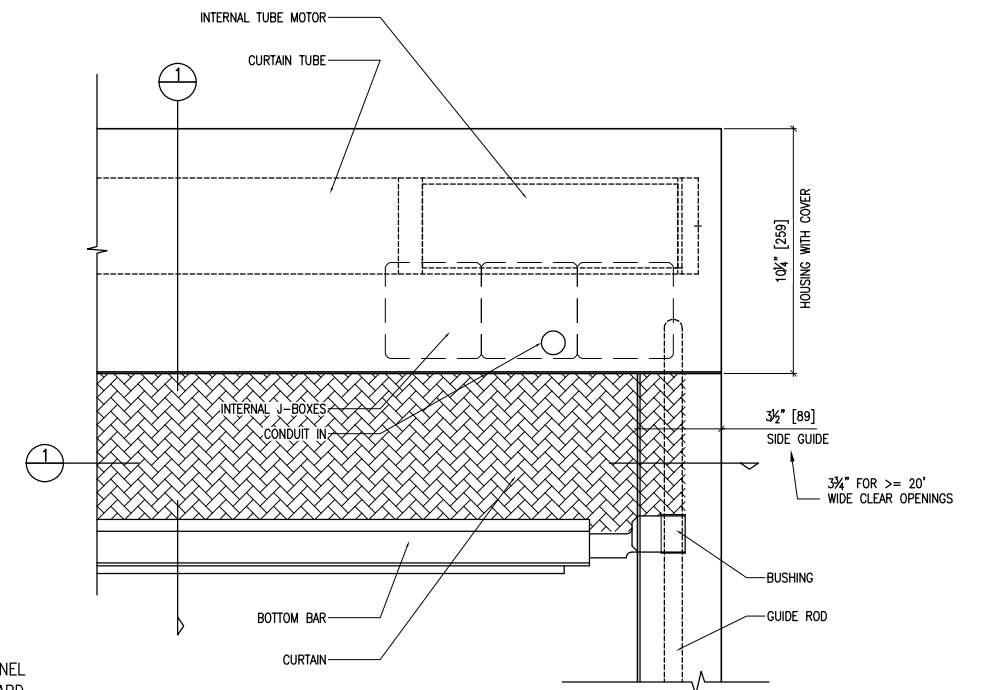
5 M2500 SMALL HOUSING DIMENSIONS  
 UNDER 12' CLEAR OPENING HEIGHT



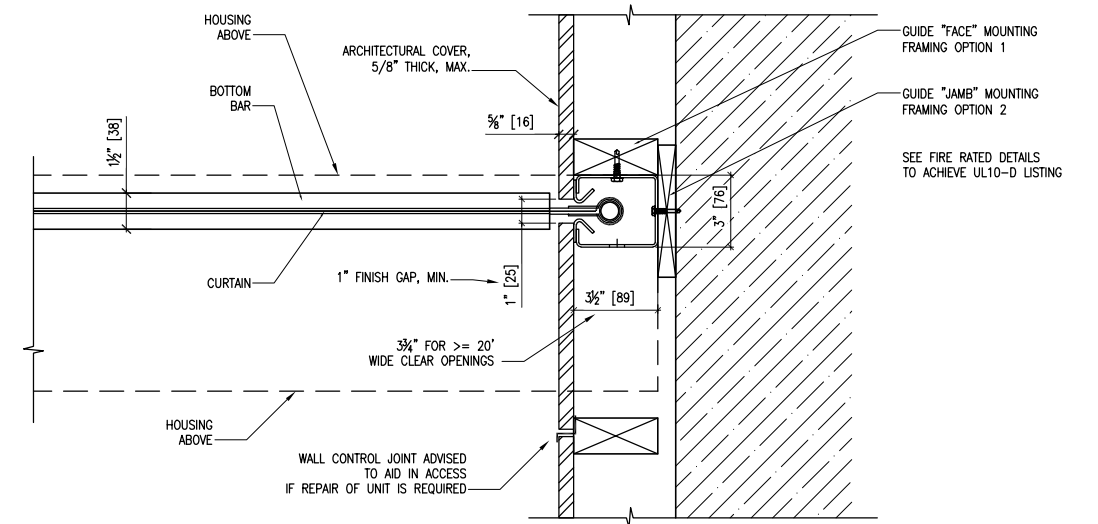
4 M2500 DROPPED CEILING  
 SMOKE RATED SHOWN



3 M2500 FLUSH COVER - SMOKE RATED SHOWN

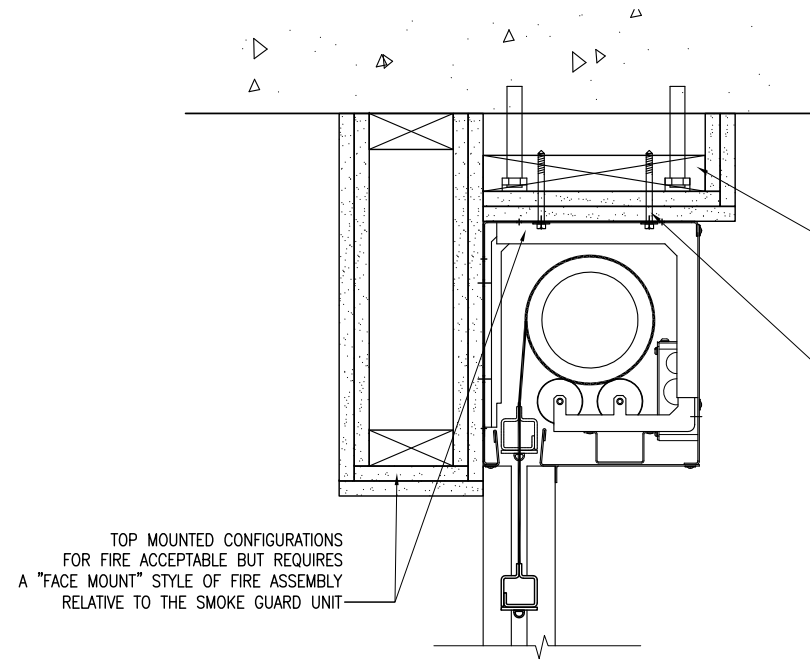


2 M2500 ELEVATION  
 SINGLE MOTOR (UNDER 20' WIDTH OPENING)



1 M2500 SIDE GUIDE DETAIL  
 SMOKE CONDITION SHOWN  
 SINGLE MOTOR (UNDER 20' WIDTH OPENING)



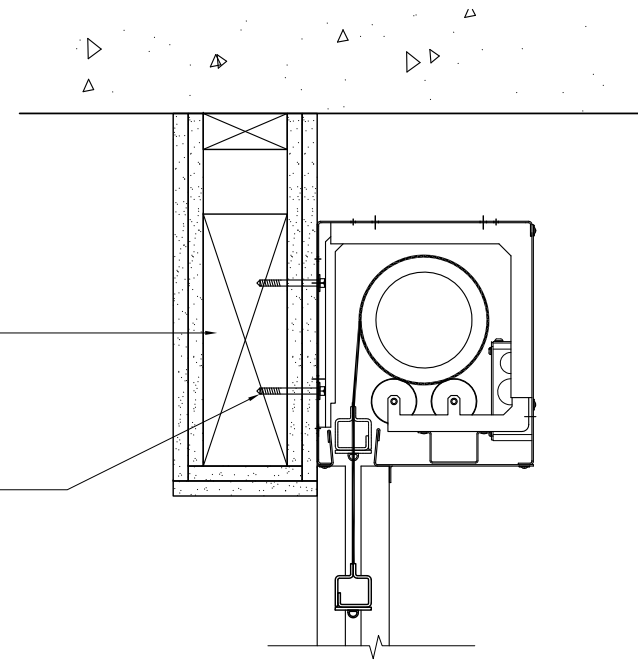


TOP MOUNTED CONFIGURATIONS FOR FIRE ACCEPTABLE BUT REQUIRES A "FACE MOUNT" STYLE OF FIRE ASSEMBLY RELATIVE TO THE SMOKE GUARD UNIT

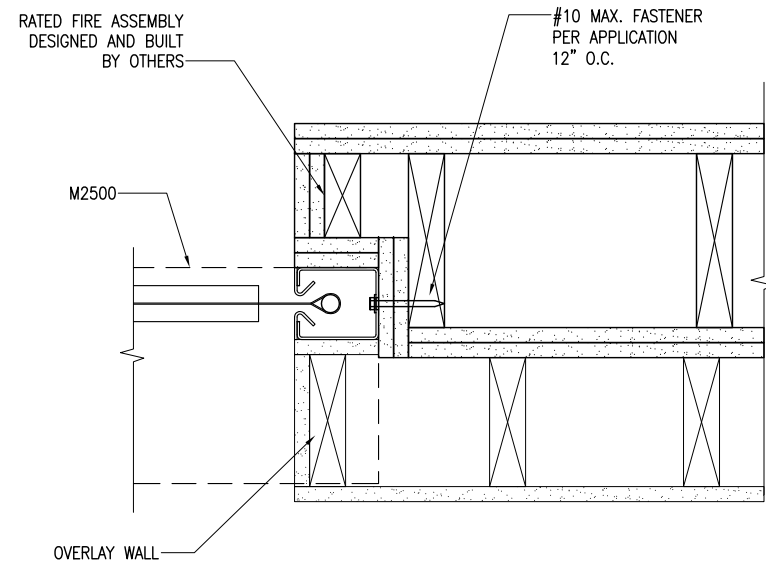
HEADER DESIGNED AND BUILT BY OTHERS

#12 MIN/ #14 MAX FASTENER PER SUBSTRATE APPLICATION  
150 LBS MAX LOAD PER HANGER LOCATION  
MAX DISTANCE 9'-6" O.C. AND 1'-6" FROM ENDS TYP.

4 HEADBOX AT ROLLER - TOP MOUNT  
1½"=1'-0"



3 HEADBOX AT ROLLER - FACE MOUNT  
1½"=1'-0"



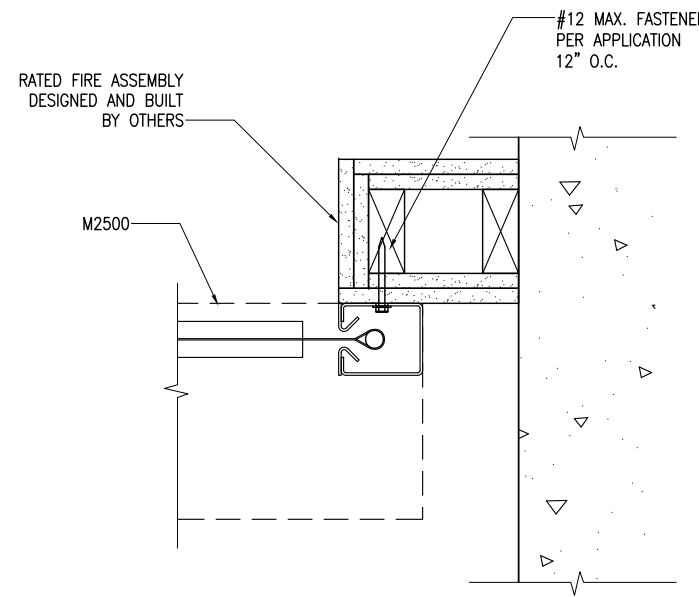
RATED FIRE ASSEMBLY DESIGNED AND BUILT BY OTHERS

#10 MAX. FASTENER PER APPLICATION 12" O.C.

M2500

OVERLAY WALL

2 GUIDE DETAIL - JAMB MOUNT, @ STAGGERED RATED ASSEMBLY INLINE W/ WALL, NON-RATED OVERLAY  
1½"=1'-0"



RATED FIRE ASSEMBLY DESIGNED AND BUILT BY OTHERS

#12 MAX. FASTENER PER APPLICATION 12" O.C.

M2500

1 SIDE GUIDE AS TESTED - FACE MOUNT  
1½"=1'-0"

## FIRE RATED DETAILS

NOTES:  
--WALL ASSEMBLY RATINGS ARE INDEPENDENT OF THE SG-M2500

--AN APPROVED WALL ASSEMBLY IN ORIENTATION SHOWN IS REQUIRED TO MEET UL10d LISTING (FIRE LISTING)

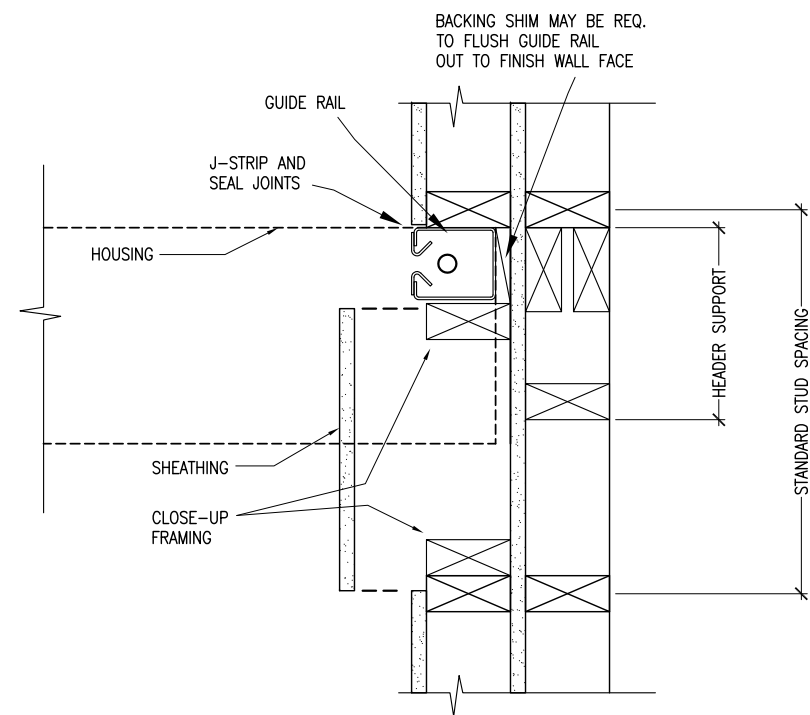
DESIGN DETAILS DD3

M2500

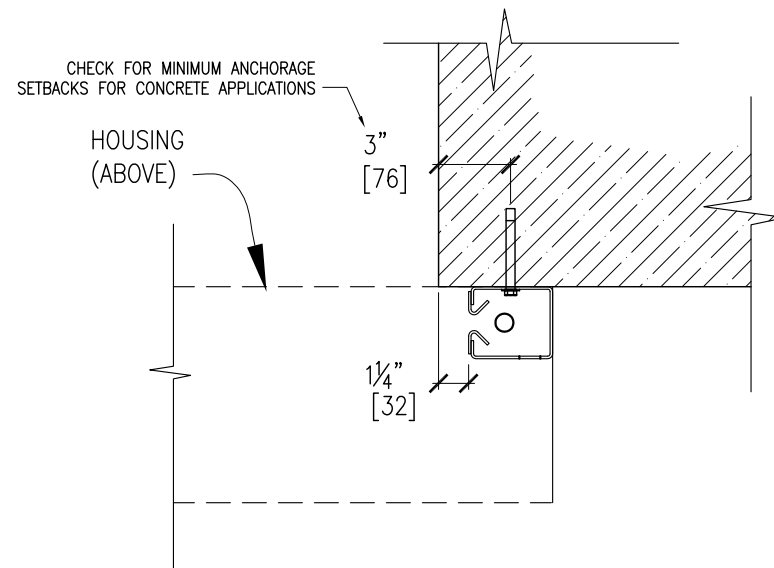
BY: HGK

7.24.2014

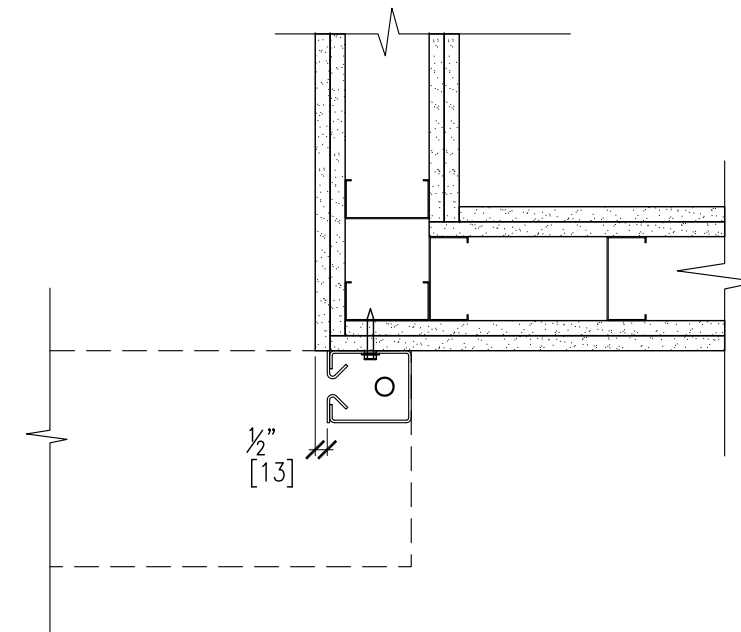




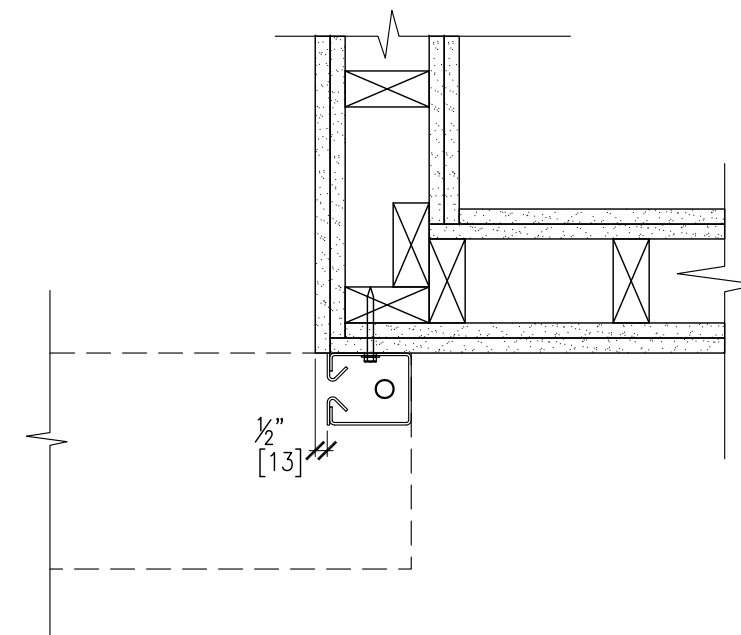
5 BURIED SIDE GUIDE DETAIL - SMOKE RATED SHOWN  
1/2"=1'-0"



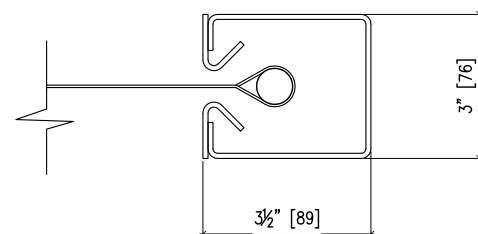
3 GUIDE RAIL TO MASONRY  
1/2"=1'-0"



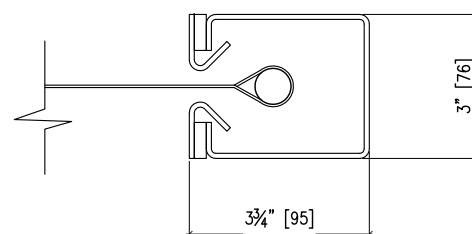
2 GUIDE RAIL TO STEEL STUD  
1/2"=1'-0" 2HR RATED WALL



1 GUIDE RAIL TO WOOD STUD  
1/2"=1'-0" 2HR RATED WALL



FOR UNDER 20' - CLEAR OPENING WIDTH



FOR 20' AND OVER - CLEAR OPENING WIDTH

4 M2500 GUIDE DIMENSIONS  
3/4"=1'-0"

DESIGN DETAILS DD4

M2500

BY: HGK

7.24.2014

