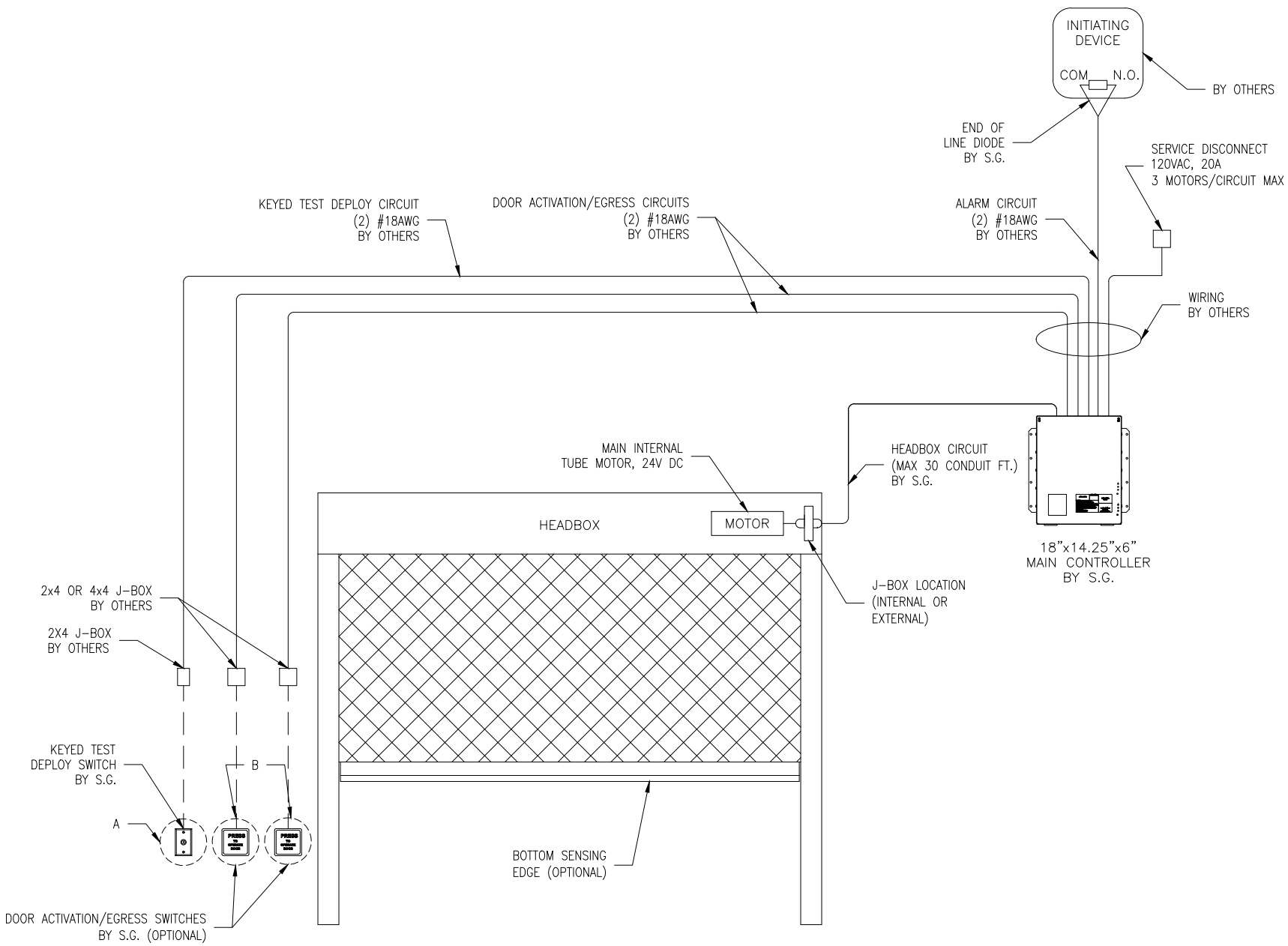
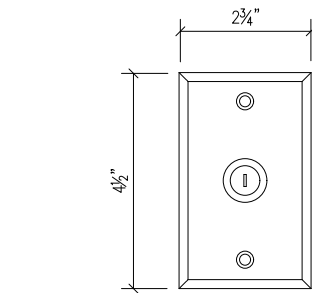


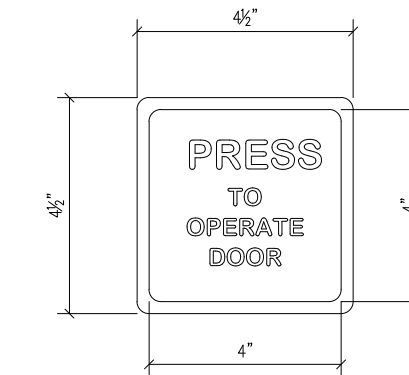
- GENERAL NOTES:
- SMOKE GUARD TO PROVIDE:
 - MAIN CONTROLLER STATION
 - END-OF-LINE DIODE
 - ALL REMAINING ELECTRICAL BY OTHERS.
 - DEFAULT LOCATION OF MAIN MOTOR IS RIGHT SIDE VIEWED FROM FRONT ELEVATION. LEFT SIDE IS OPTIONAL UPON REQUEST.
 - CONTROLLER DIMENSIONS ARE 18"x14.25"x 6", REFER TO SUPPLEMENTARY DOCUMENTATION FOR WIRING SPECIFICS & MOUNTING DETAILS.



① M2500 SINGLE CONTROL
SCALE: 1/2" = 1'-0"



Ⓐ DETAIL: KEYED TEST DEPLOY SWITCH
SCALE: 3" = 1'-0"



Ⓑ OPTIONAL DETAIL: DOOR ACTIVATION SWITCH
SCALE: 3" = 1'-0"

REVISION

REVISION NUMBER	REVISION DATE	REVISION DESCRIPTION
01	9.18.19	INITIAL RELEASE

QUOTE:
CONFIGURATION:
PROJECT:
DIST.:

DESIGN SET: D1

MODEL: M2500

ELECTRICAL DIAGRAM
SINGLE CONTROLLER

DRAWN: TLM 9.18.2019

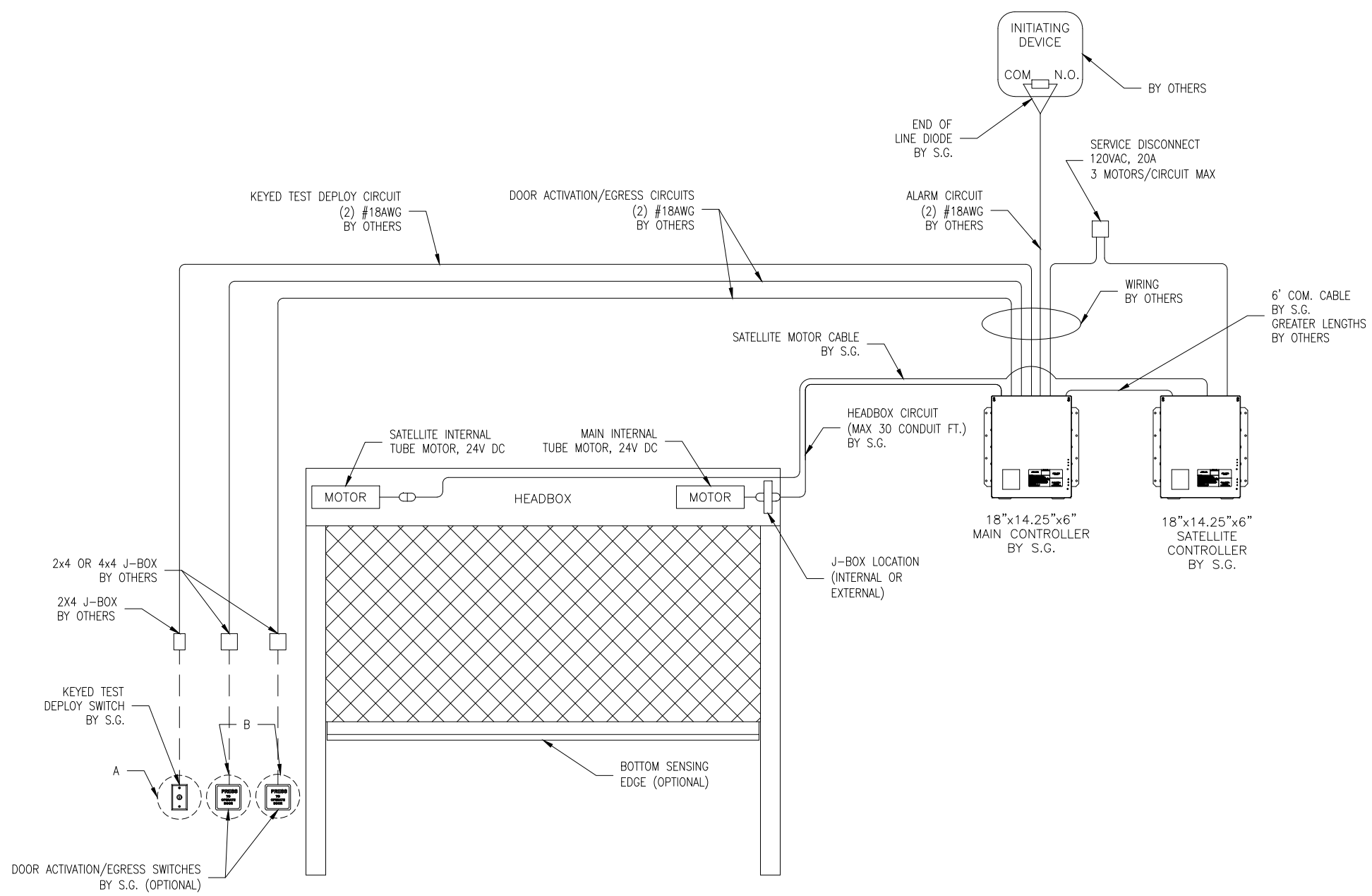
SIZE

B

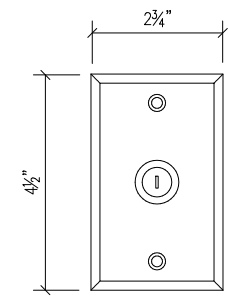
SHEET

1 OF 3

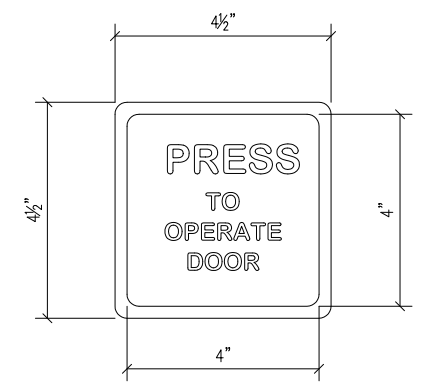
- GENERAL NOTES:
- SMOKE GUARD TO PROVIDE:
 - MAIN CONTROLLER STATION
 - END-OF-LINE DIODE
 - ALL REMAINING ELECTRICAL BY OTHERS.
 - DEFAULT LOCATION OF MAIN MOTOR IS RIGHT SIDE VIEWED FROM FRONT ELEVATION. LEFT SIDE IS OPTIONAL UPON REQUEST.
 - CONTROLLER DIMENSIONS ARE 18"x14.25"x 6", REFER TO SUPPLEMENTARY DOCUMENTATION FOR WIRING SPECIFICS & MOUNTING DETAILS.



1 M2500 DUAL CONTROLLER
SCALE: 1/2" = 1'-0"



A DETAIL A: KEYED TEST DEPLOY SWITCH BY S.G.
SCALE: 3/4" = 1"



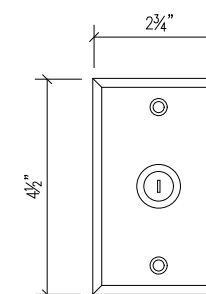
B OPTIONAL: DETAIL B: DOOR ACTIVATION SWITCH BY S.G.
SCALE: 3/4" = 1"

REVISION		
REVISION NUMBER	REVISION DATE	REVISION DESCRIPTION
01	9.18.19	INITIAL RELEASE

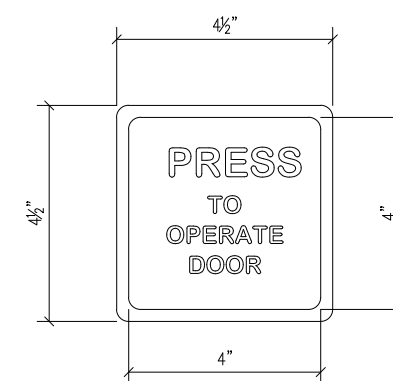
QUOTE:
CONFIGURATION:
PROJECT:
DIST.:

DESIGN SET: D1	SIZE B
MODEL: M2500	SHEET 2 OF 3
ELECTRICAL DIAGRAM DUAL CONTROLLER	
DRAWN: TLM	9.18.2019

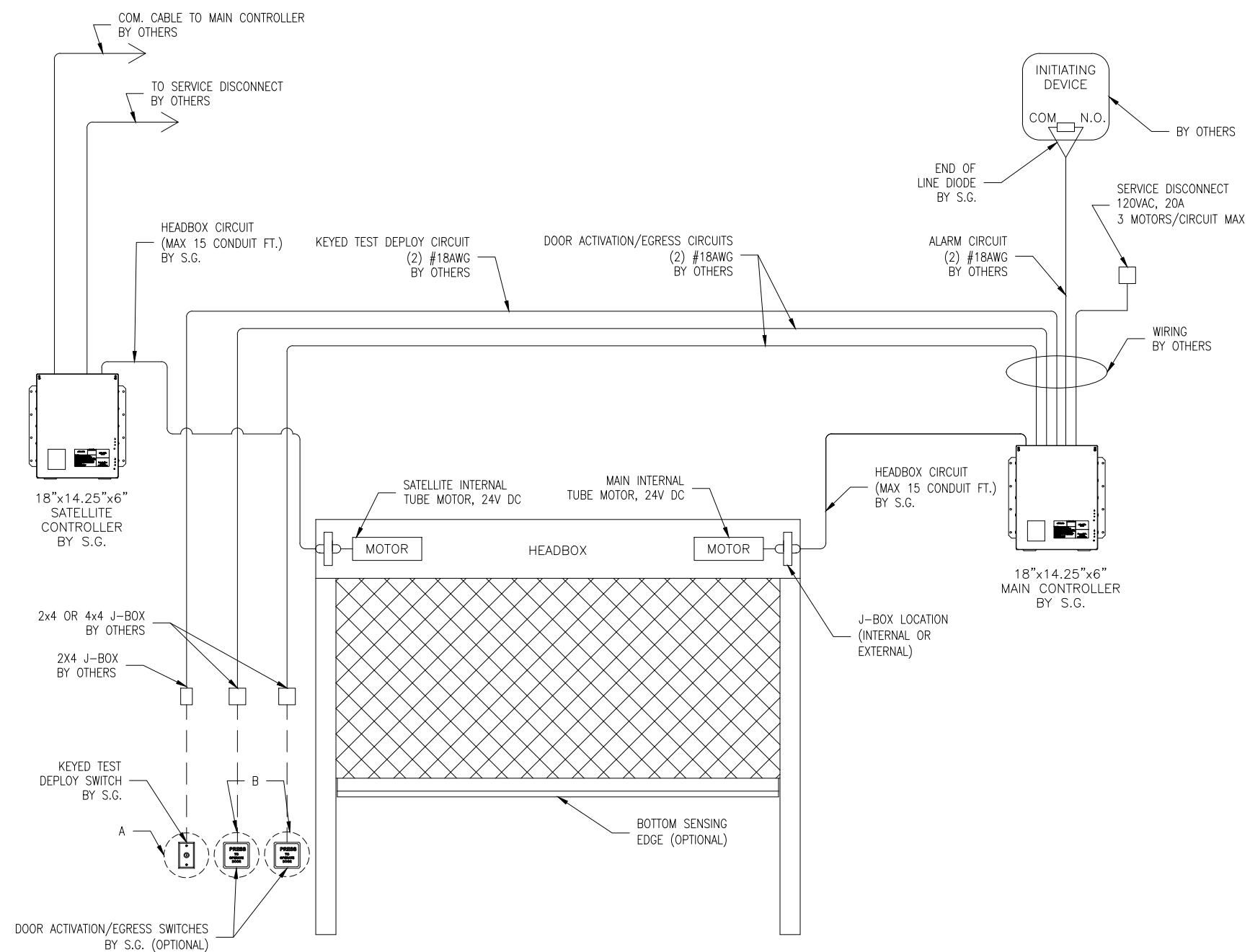
- GENERAL NOTES:
- SMOKE GUARD TO PROVIDE:
 - MAIN CONTROLLER STATION
 - END-OF-LINE DIODE
 - ALL REMAINING ELECTRICAL BY OTHERS.
 - DEFAULT LOCATION OF MAIN MOTOR IS RIGHT SIDE VIEWED FROM FRONT ELEVATION. LEFT SIDE IS OPTIONAL UPON REQUEST.
 - CONTROLLER DIMENSIONS ARE 18"x14.25"x 6", REFER TO SUPPLEMENTARY DOCUMENTATION FOR WIRING SPECIFICS & MOUNTING DETAILS.



A DETAIL A: KEYED TEST DEPLOY SWITCH BY S.G.
SCALE: 3"=1"



B OPTIONAL: DETAIL B: DOOR ACTIVATION SWITCH BY S.G.
SCALE: 3"=1"



1 M2500 DUAL WIDE CONTROLLER
SCALE: 1/2" = 1'-0"

REVISION		
REVISION NUMBER	REVISION DATE	REVISION DESCRIPTION
01	9.18.19	INITIAL RELEASE

QUOTE:
CONFIGURATION:
PROJECT:
DIST.:

DESIGN SET: D1	SIZE B
MODEL: M2500	SHEET 3 OF 3
ELECTRICAL DIAGRAM DUAL WIDE CONTROLLER	
DRAWN: TLM	9.18.2019