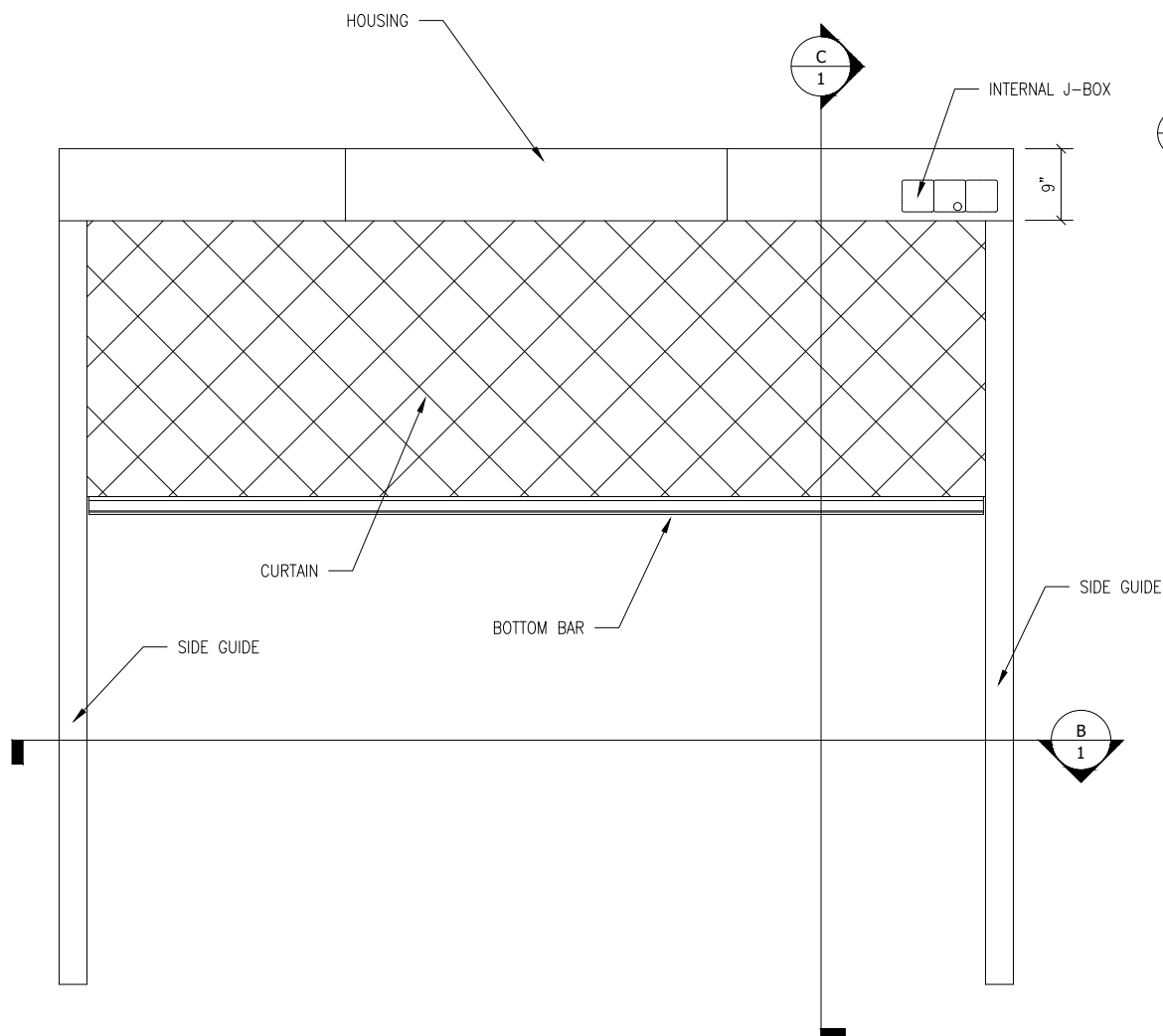
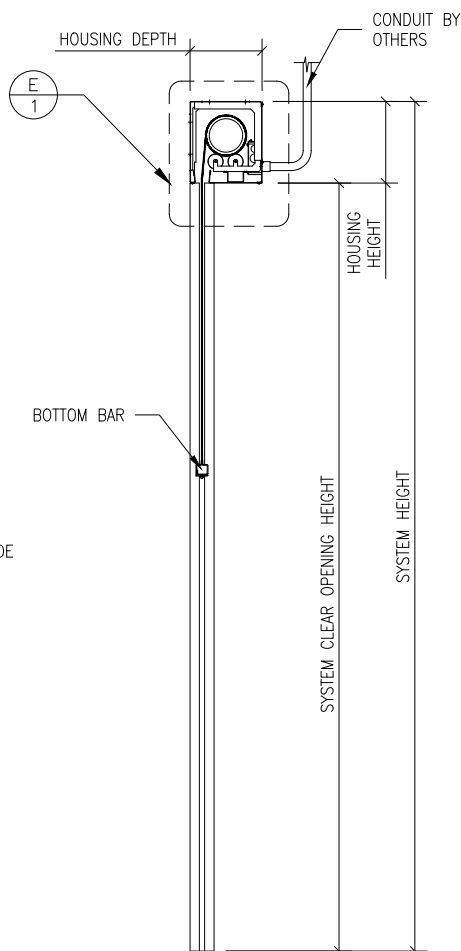


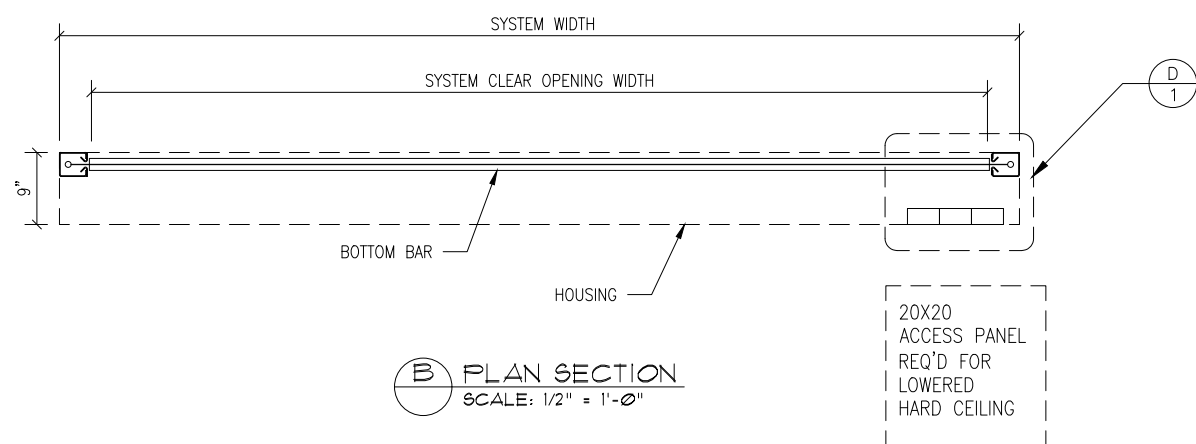
- GENERAL NOTES:
- SMOKE GUARD FIRE RATED UNITS (HOUSINGS & SIDE GUIDES) TO BE MOUNTED TO A FINISHED, FIRE RATED ASSEMBLY OR STRUCTURE PER YOUR APPLICATION.
 - CLIENT TO PROVIDE CONTINUOUS MOUNTING SURFACE FOR STRUCTURAL AND SHEET METAL ATTACHMENT.
 - TOLERANCE: FLOOR TO CEILING VARIANCE MUST BE WITHIN +/- 1/2" ACROSS LENGTH OF MACHINE..
 - ORDER LENGTHS TO BE AT 1/4" INCREMENTS ONLY.
 - DIMENSIONS TO NOT INCLUDE HEADS OF EXTERNAL FASTENERS.



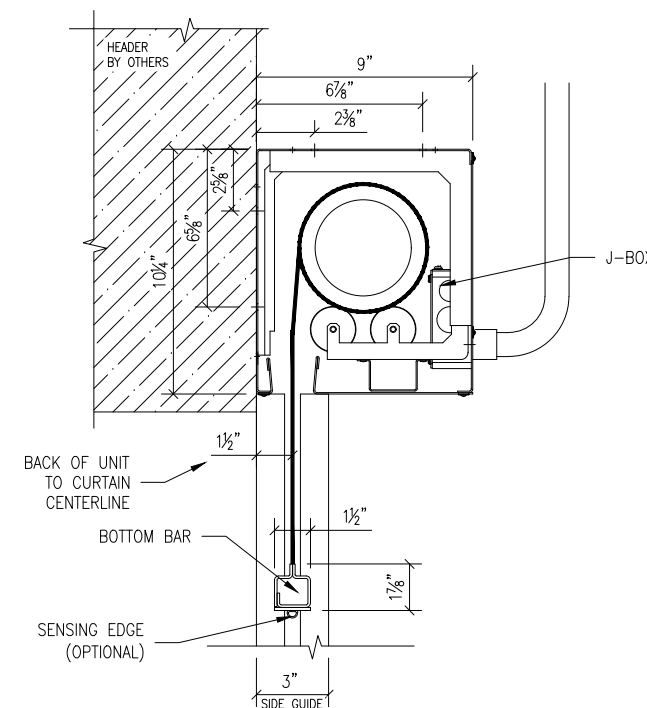
A ELEVATION
SCALE: 1/2" = 1'-0"



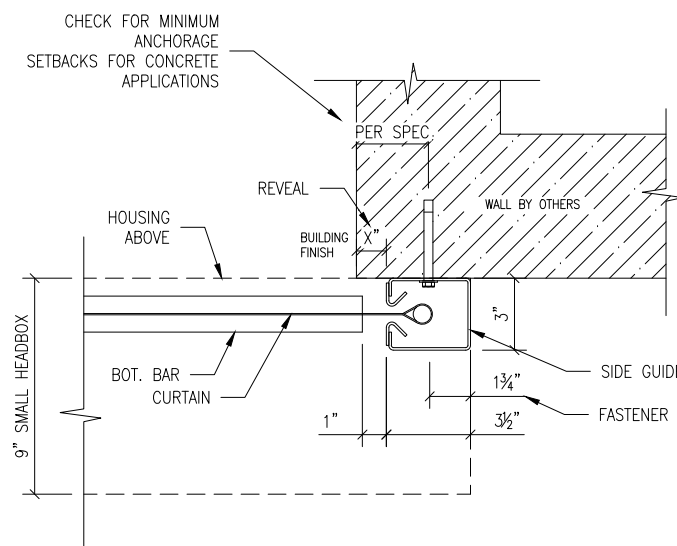
C ELEVATION SECTION
SCALE: 1/2" = 1'-0"



B PLAN SECTION
SCALE: 1/2" = 1'-0"



E DETAIL E: HEAD BOX DETAIL - SMALL HOUSING
SCALE: 1 1/2" = 1'-0" MAX. 12" CLEAR OPENING HEIGHT



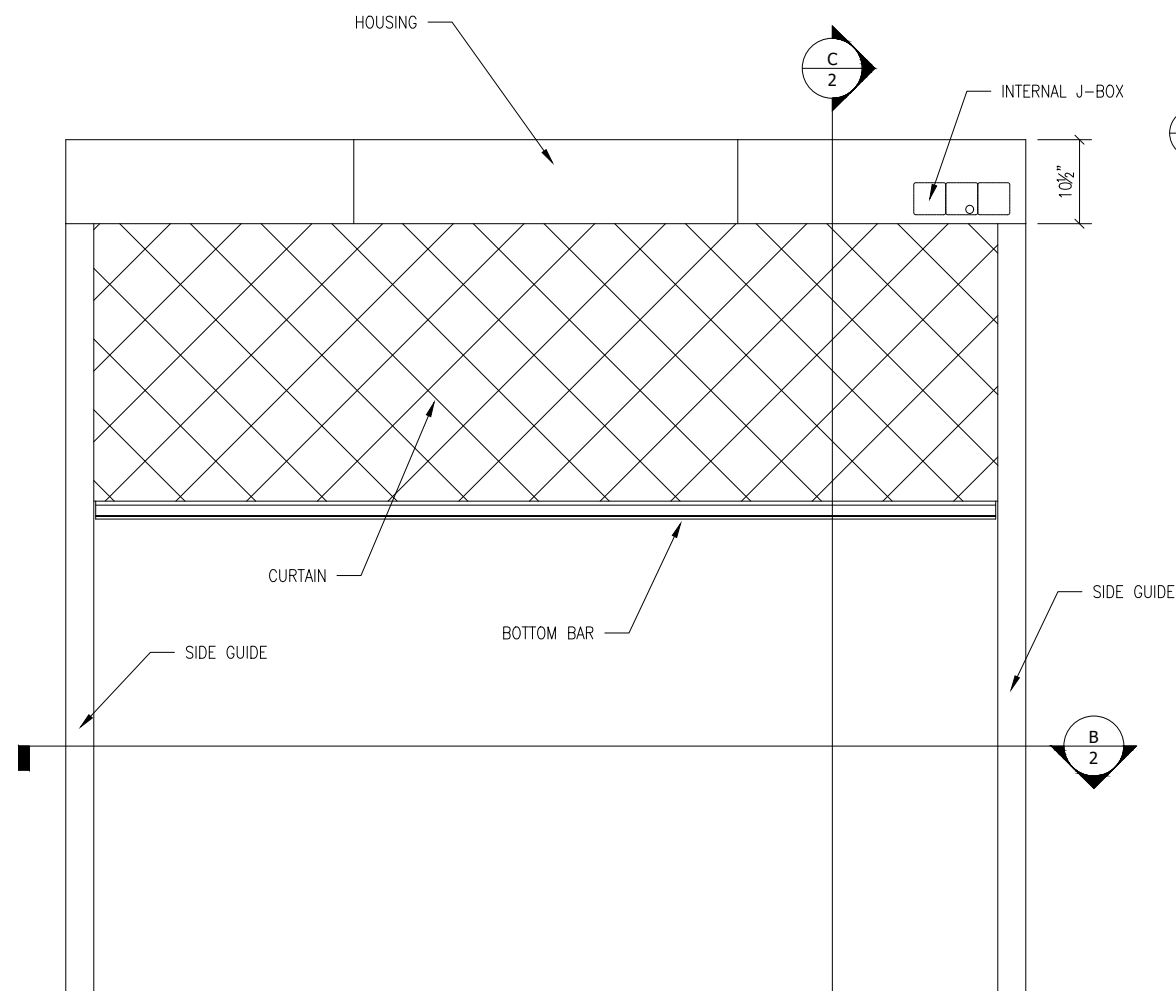
D DETAIL D: PLAN DETAIL AT GUIDE
SCALE: 1 1/2" = 1'-0"

REVISION		
REVISION NUMBER	REVISION DATE	REVISION DESCRIPTION
01	9.17.19	INITIAL RELEASE

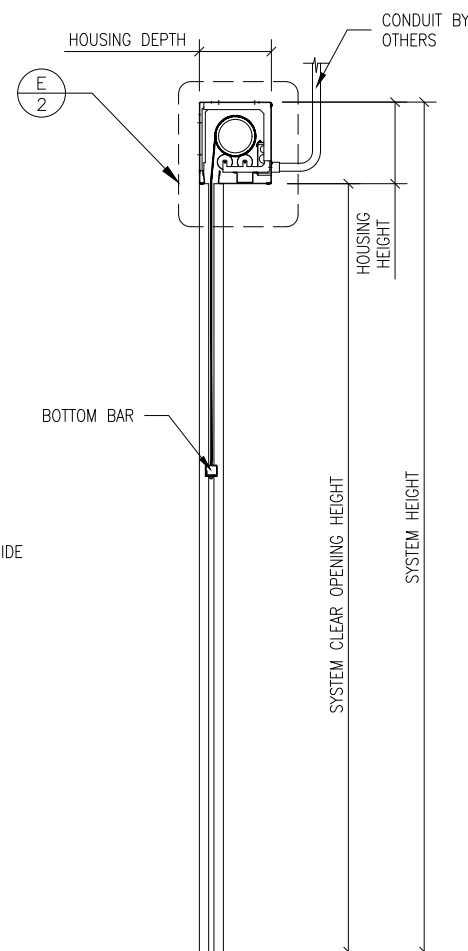
QUOTE:
CONFIGURATION:
PROJECT:
DIST.:

DESIGN SET: D1	SIZE B
MODEL: M2500	SHEET 1 OF 5
M2500 SMALL HEADBOX ELEVATION PLAN AND SECTION	
DRAWN: TLM	9.17.2019

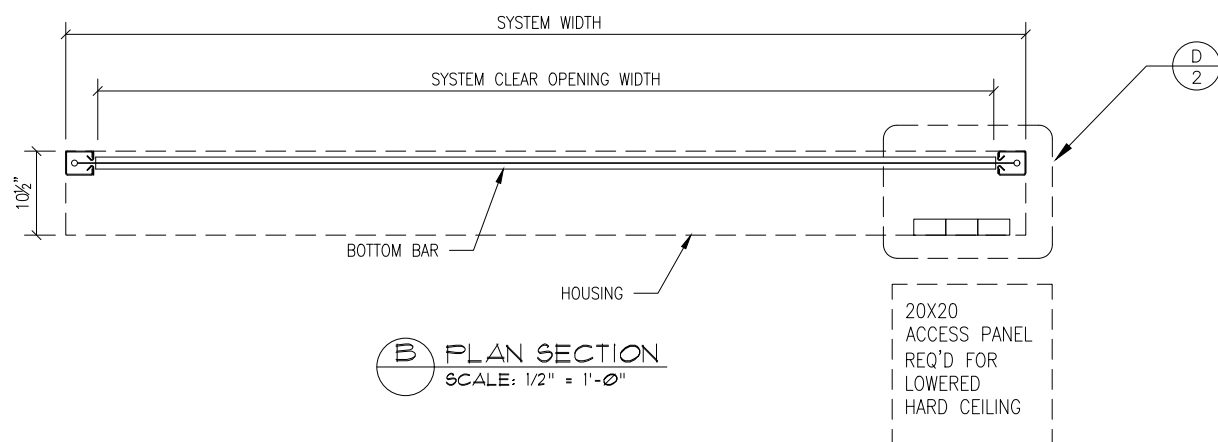
- GENERAL NOTES:
- SMOKE GUARD FIRE RATED UNITS (HOUSINGS & SIDE GUIDES) TO BE MOUNTED TO A FINISHED, FIRE RATED ASSEMBLY OR STRUCTURE PER YOUR APPLICATION.
 - CLIENT TO PROVIDE CONTINUOUS MOUNTING SURFACE FOR STRUCTURAL AND SHEET METAL ATTACHMENT.
 - TOLERANCE: FLOOR TO CEILING VARIANCE MUST BE WITHIN +/- 1/2" ACROSS LENGTH OF MACHINE..
 - ORDER LENGTHS TO BE AT 1/4" INCREMENTS ONLY.
 - DIMENSIONS TO NOT INCLUDE HEADS OF EXTERNAL FASTENERS.



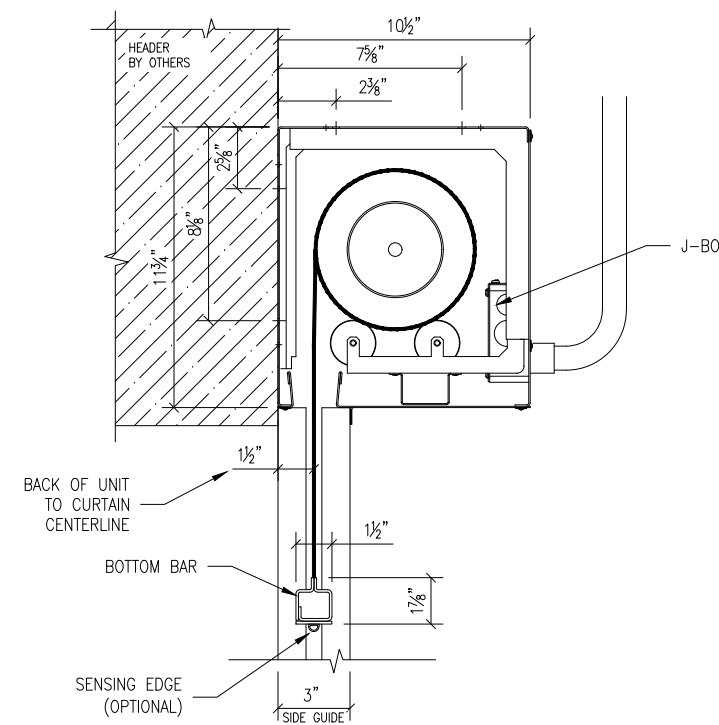
A ELEVATION
SCALE: 1/2" = 1'-0"



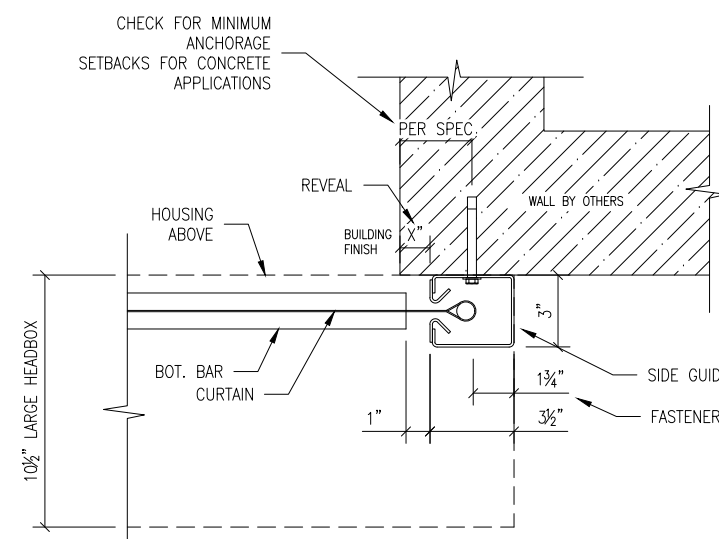
C ELEVATION SECTION
SCALE: 1/2" = 1'-0"



B PLAN SECTION
SCALE: 1/2" = 1'-0"



E DETAIL E: HEAD BOX DETAIL-LARGE HOUSING
SCALE: 1 1/2" = 1'-0" OVER 12" CLEAR OPENING HEIGHT



D DETAIL D: PLAN DETAIL AT GUIDE
SCALE: 1 1/2" = 1'-0"

REVISION		
REVISION NUMBER	REVISION DATE	REVISION DESCRIPTION
01	9.17.19	INITIAL RELEASE

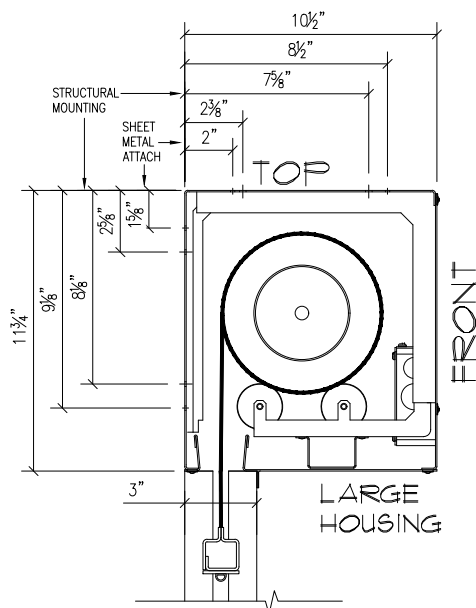
QUOTE:
CONFIGURATION:
PROJECT:
DIST.:

DESIGN SET: D1	SIZE B
MODEL: M2500	SHEET 2 OF 5
M2500 LARGE HEAD BOX ELEVATION PLAN AND SECTION	
DRAWN: TLM	9.17.2019

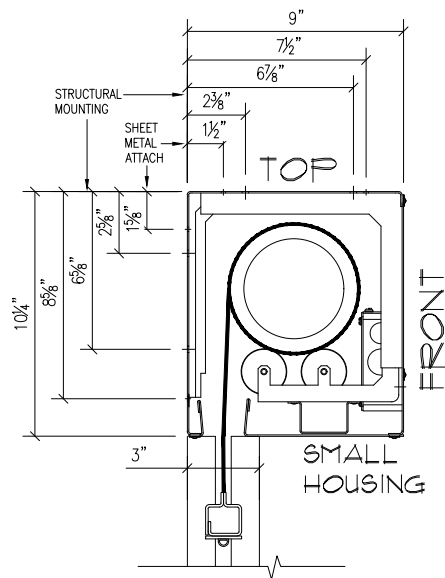
M2500 MOUNTING NOTES
 THE FOLLOWING APPLY FOR EITHER OVERHEAD OR REAR MOUNTED SYSTEMS:

STRUCTURAL ATTACHMENT—
 CLIENT TO PROVIDE SUFFICIENT BACKING FOR LOADS GIVEN PER UNIT.
 STRUCTURAL ATTACHMENT LOCATIONS OCCUR AT 18" FROM EACH END,
 AND THEN NO MORE THAN 9'-5" ON CENTERS — SEE SHOP DRAWINGS
 FOR YOUR SPECIFIC HOUSING. HOLES FOR (2) ¼" FASTENERS
 PROVIDED AT EACH LOCATION

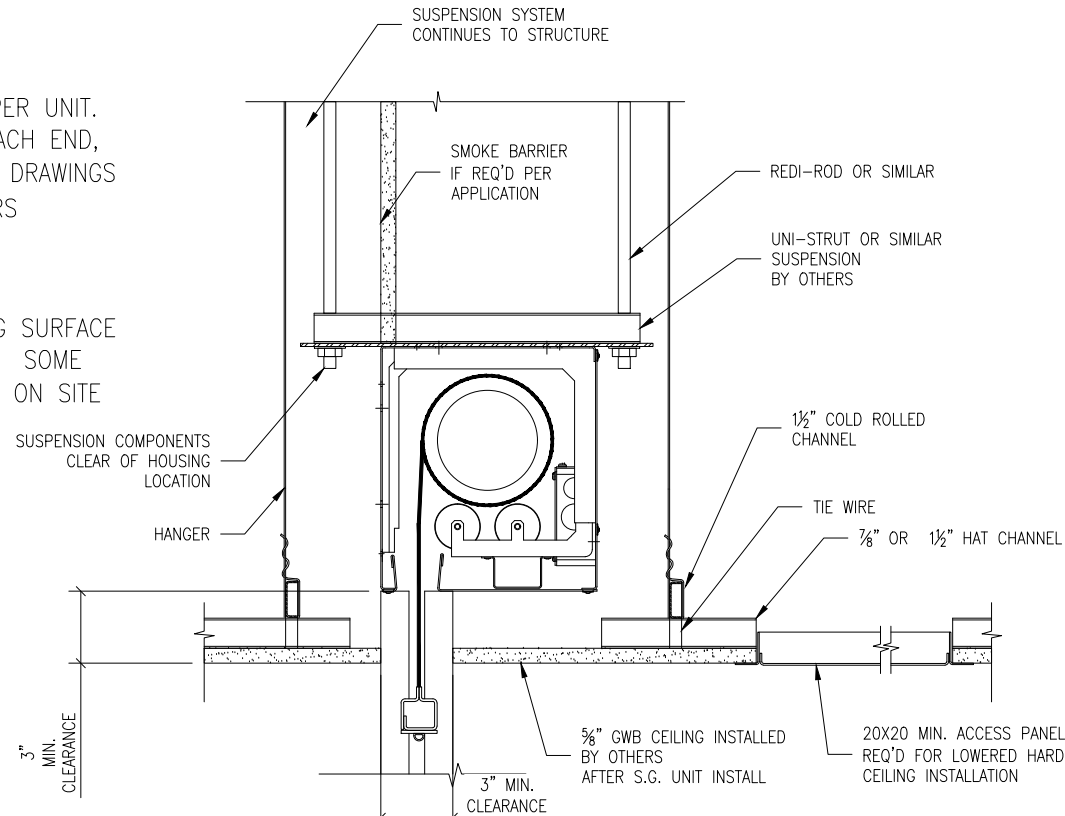
SHEETMETAL ATTACHMENT—
 HOUSINGS MUST BE SECURED TO BACKING ON THE MOUNTING SURFACE
 AT NO MORE 48" ON CENTER, (2) FASTENERS PER LOCATION. SOME
 HOLES FOR #10 SCREWS PROVIDED, SOME REQUIRE DRILLING ON SITE



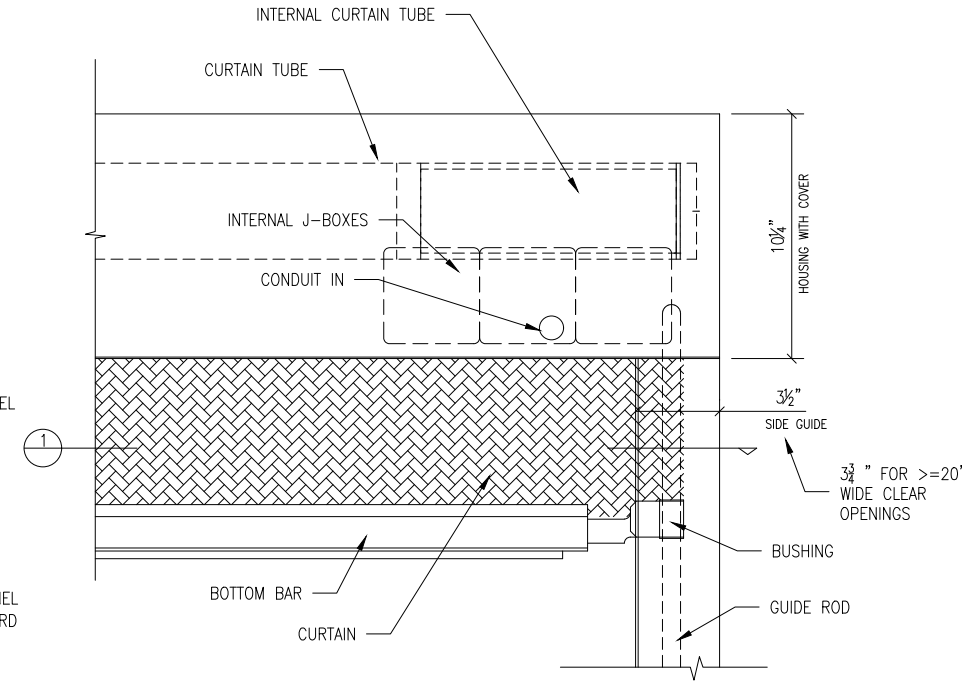
6 M2500 LARGE HOUSING DIMENSIONS
 SCALE: 1 1/2" = 1'-0" 12' AND GREATER CLEAR OPENING HEIGHT



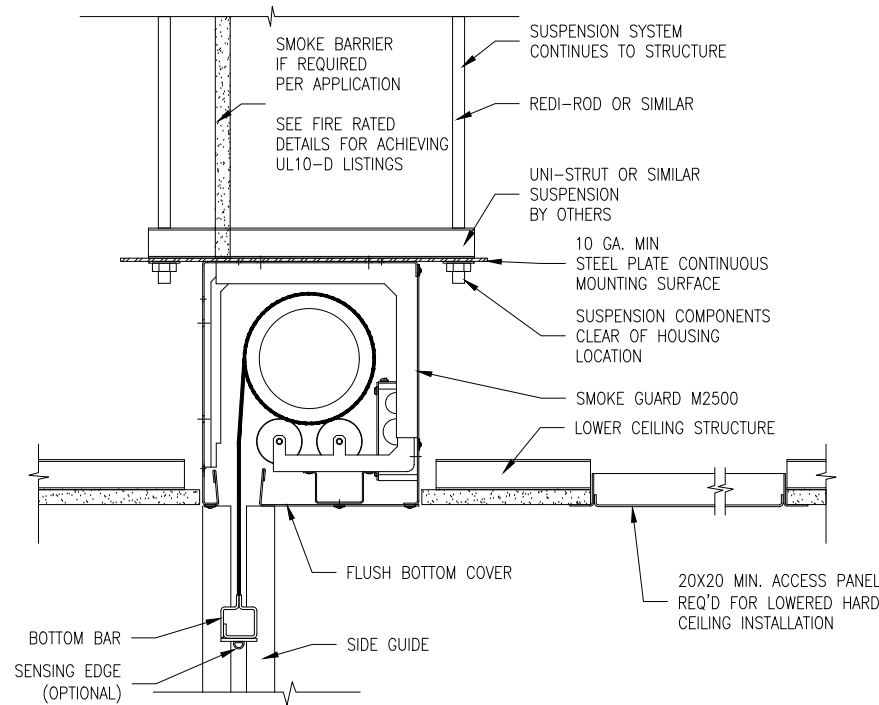
5 M2500 SMALL HOUSING DIMENSIONS
 SCALE: 1 1/2" = 1'-0" UNDER 12' CLEAR OPENING HEIGHT



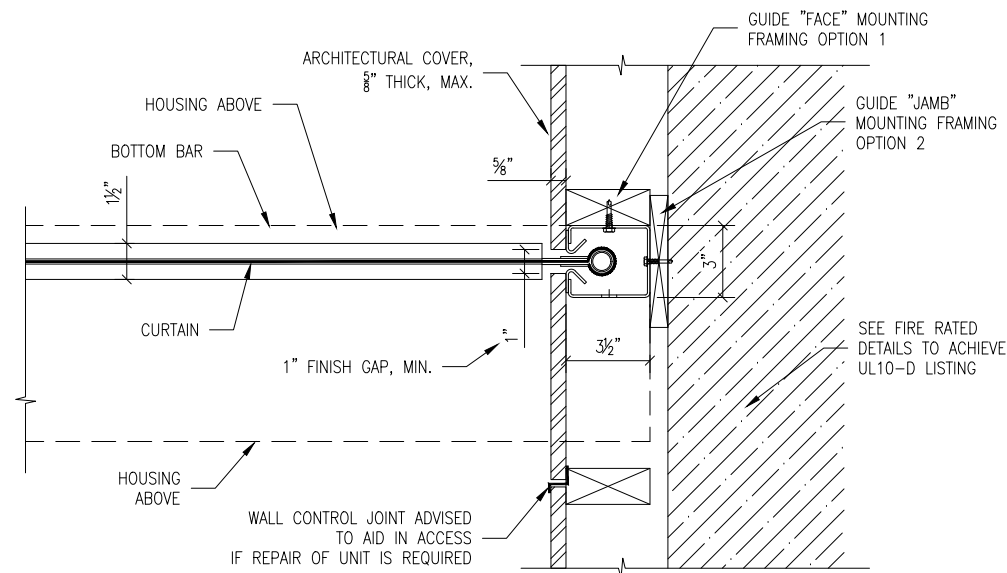
4 M2500 DROPPED CEILING
 SMOKE RATED SHOWN
 SCALE: 1 1/2" = 1'-0"



2 M2500 ELEVATION
 SCALE: 1 1/2" = 1'-0" SINGLE MOTOR (UNDER 20' WIDTH OPENING)



3 M2500 FLUSH COVER- SMOKE RATED SHOWN
 SCALE: 1 1/2" = 1'-0"



1 M2500 SIDE GUIDE DETAIL
 SMOKE CONDITION SHOWN
 SCALE: 1 1/2" = 1'-0" SINGLE MOTOR (UNDER 20' WIDTH OPENING)



287 N. Maple Grove
 Boise, ID 83704
 800.574.0330
 www.smokeguard.com

- GENERAL NOTES:
1. SMOKE GUARD FIRE RATED UNITS (HOUSINGS & SIDE GUIDES) TO BE MOUNTED TO A FINISHED, FIRE RATED ASSEMBLY OR STRUCTURE PER YOUR APPLICATION.
 2. CLIENT TO PROVIDE CONTINUOUS MOUNTING SURFACE FOR STRUCTURAL AND SHEET METAL ATTACHMENT.
 3. TOLERANCE: FLOOR TO CEILING VARIANCE MUST BE WITHIN +/- 1/2" ACROSS LENGTH OF MACHINE..
 4. ORDER LENGTHS TO BE AT 1/4" INCREMENTS ONLY.
 5. DIMENSIONS TO NOT INCLUDE HEADS OF EXTERNAL FASTENERS.

* SHOWN DOUBLE LAYER (2HR) USE PROPER LAYERING FOR YOUR FIRE APPLICATION

REVISION		
REVISION NUMBER	REVISION DATE	REVISION DESCRIPTION
01	9.17.19	INITIAL RELEASE

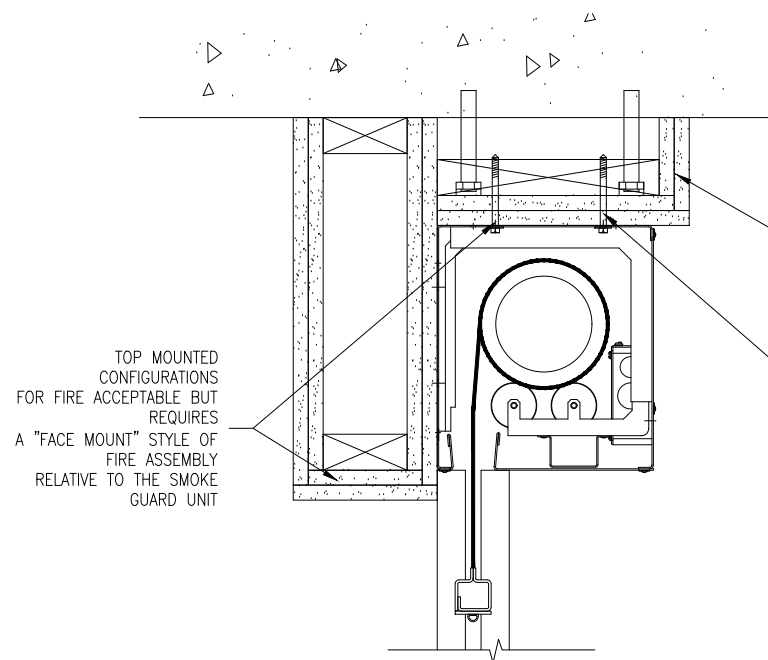
QUOTE:
 CONFIGURATION:
 PROJECT:
 DIST.:

DESIGN SET: D1	SIZE B
MODEL: M2500	SHEET 3 OF 5
M2500 MOUNTING DETAILS	
DRAWN: TLM	9.17.2019

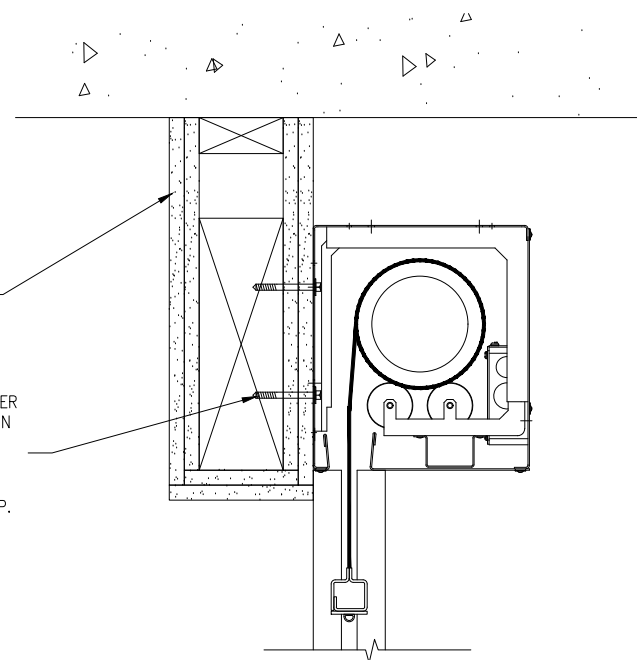
PAPER SIZE: 11" X 17"

- GENERAL NOTES:
- SMOKE GUARD FIRE RATED UNITS (HOUSINGS & SIDE GUIDES) TO BE MOUNTED TO A FINISHED, FIRE RATED ASSEMBLY OR STRUCTURE PER YOUR APPLICATION.
 - CLIENT TO PROVIDE CONTINUOUS MOUNTING SURFACE FOR STRUCTURAL AND SHEET METAL ATTACHMENT.
 - TOLERANCE: FLOOR TO CEILING VARIANCE MUST BE WITHIN +/- 1/2" ACROSS LENGTH OF MACHINE..
 - ORDER LENGTHS TO BE AT 1/4" INCREMENTS ONLY.
 - DIMENSIONS TO NOT INCLUDE HEADS OF EXTERNAL FASTENERS.

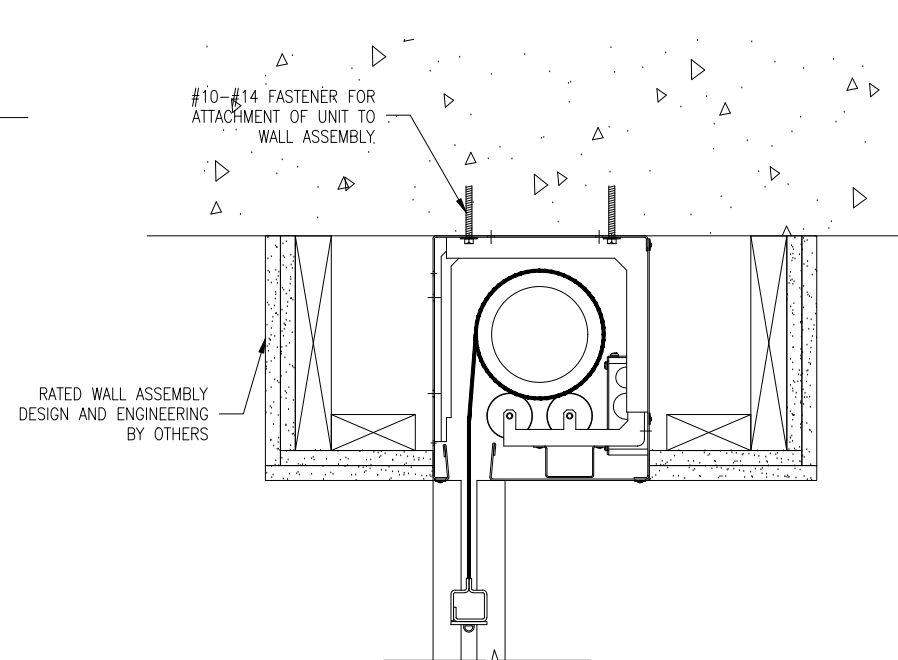
- MODEL SPECIFIC NOTES:
- STRUCTURAL DESIGN TO USE LOADS OF 12 LBS/FT
 - STRUCTURAL ATTACHMENT TO BE WITHIN 6" OF EACH END AND MAX OF 36" ON CENTER. (2) SCREWS PER LOCATION, DRILLING REQUIRED ON SITE.



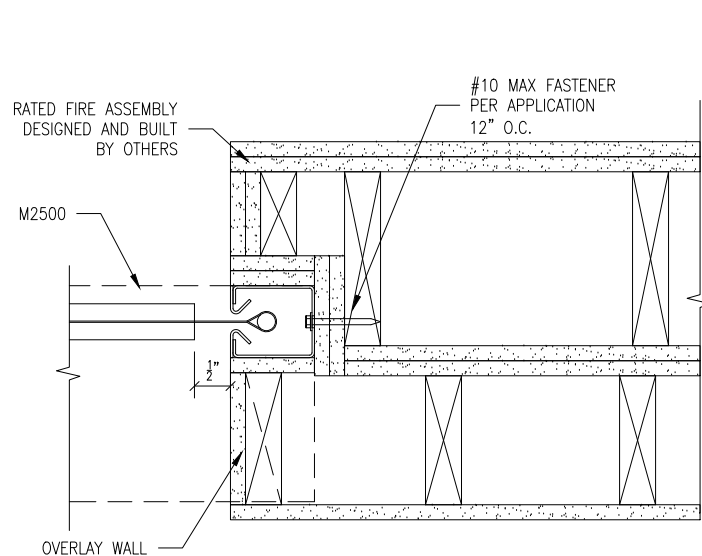
6 HEADBOX AT ROLLER- TOP MOUNT
SCALE: 1 1/2" = 1'-0"
APPROVED FIRE RATED INSTALLATION



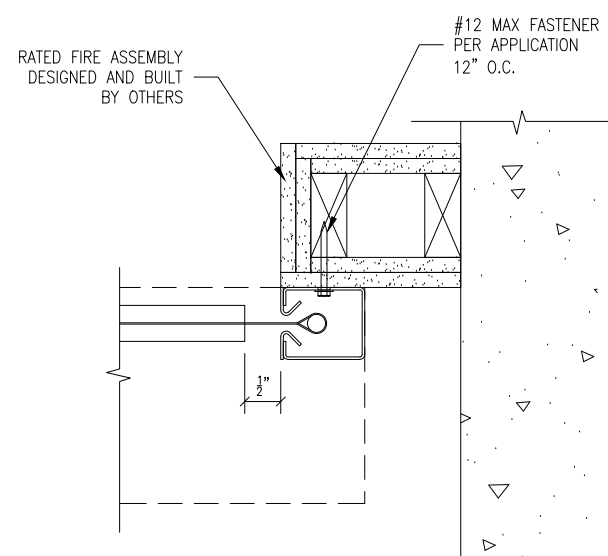
4 HEADBOX AT ROLLER- FACE MOUNT
SCALE: 1 1/2" = 1'-0"
APPROVED FIRE RATED INSTALLATION



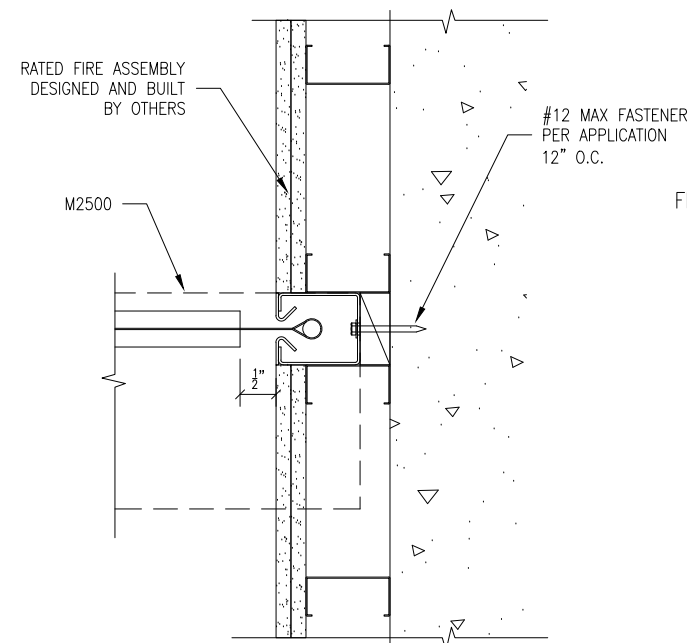
2 TOP MOUNT W/ FLUSH COVER
SCALE: 1 1/2" = 1'-0"
APPROVED FIRE RATED INSTALLATION



5 GUIDE DETAIL-JAMB MOUNT @ STAGGERED RATED ASSEMBLY INLINE W/WALL NON RATED OVERLAY
SCALE: 1 1/2" = 1'-0"
APPROVED FIRE RATED INSTALLATION



3 SIDE GUIDE AS TESTED- FACE MOUNT
SCALE: 1 1/2" = 1'-0"
APPROVED FIRE RATED INSTALLATION



1 SIDE GUIDE DETAIL-BURIED
SCALE: 1 1/2" = 1'-0"
APPROVED FIRE RATED INSTALLATION

FIRE RATED DETAILS

- NOTES:
- WALL ASSEMBLY RATINGS ARE INDEPENDENT OF THE SG-M2500
 - AN APPROVED WALL ASSEMBLY IN ORIENTATION SHOWN IS REQUIRED TO MEET UL10d LISTING (FIRE LISTING)

* SHOWN DOUBLE LAYER (2HR) USE PROPER LAYERING FOR YOUR FIRE APPLICATION

REVISION		
REVISION NUMBER	REVISION DATE	REVISION DESCRIPTION
01	9.17.19	INITIAL RELEASE

QUOTE:
CONFIGURATION:
PROJECT:
DIST.:

DESIGN SET: D1	SIZE B
MODEL: M2500	SHEET 4 OF 5
M2500 MOUNTING DETAILS	
DRAWN: TLM	9.17.2019

- GENERAL NOTES:
- SMOKE GUARD FIRE RATED UNITS (HOUSINGS & SIDE GUIDES) TO BE MOUNTED TO A FINISHED, FIRE RATED ASSEMBLY OR STRUCTURE PER YOUR APPLICATION.
 - CLIENT TO PROVIDE CONTINUOUS MOUNTING SURFACE FOR STRUCTURAL AND SHEET METAL ATTACHMENT.
 - TOLERANCE: FLOOR TO CEILING VARIANCE MUST BE WITHIN +/- 1/2" ACROSS LENGTH OF MACHINE..
 - ORDER LENGTHS TO BE AT 1/4" INCREMENTS ONLY.
 - DIMENSIONS TO NOT INCLUDE HEADS OF EXTERNAL FASTENERS.

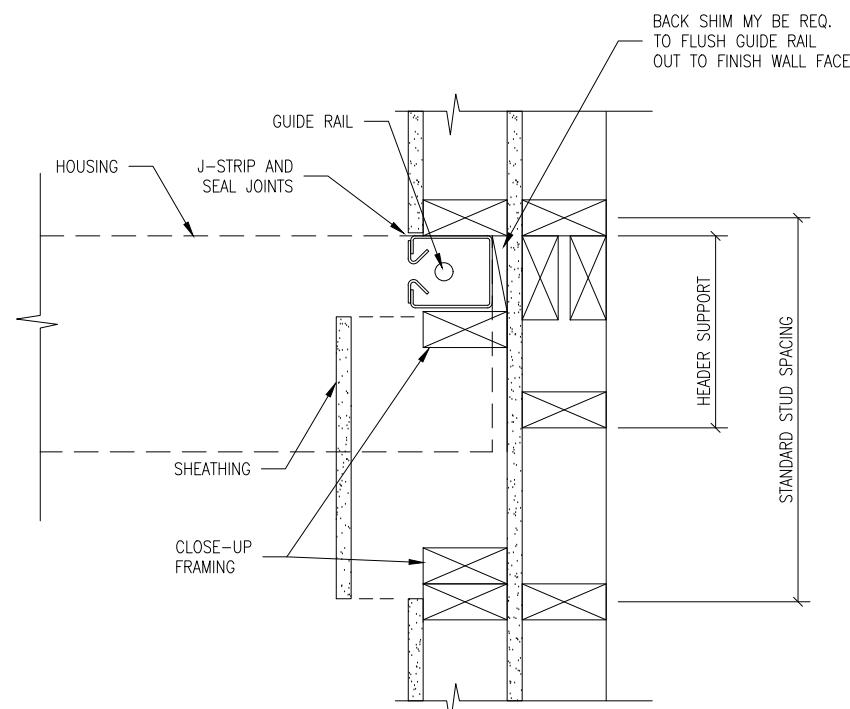
- MODEL SPECIFIC NOTES:
- STRUCTURAL DESIGN TO USE LOADS OF 12 LBS/FT
 - STRUCTURAL ATTACHMENT TO BE WITHIN 6" OF EACH END AND MAX OF 36" ON CENTER. (2) SCREWS PER LOCATION, DRILLING REQUIRED ON SITE.

* SHOWN DOUBLE LAYER (2HR) USE PROPER LAYERING FOR YOUR FIRE APPLICATION

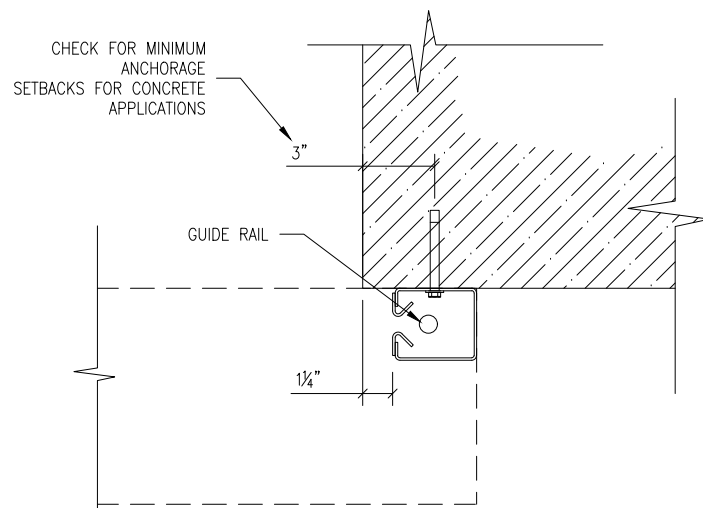
REVISION		
REVISION NUMBER	REVISION DATE	REVISION DESCRIPTION
01	9.17.19	INITIAL RELEASE

QUOTE:
CONFIGURATION:
PROJECT:
DIST.:

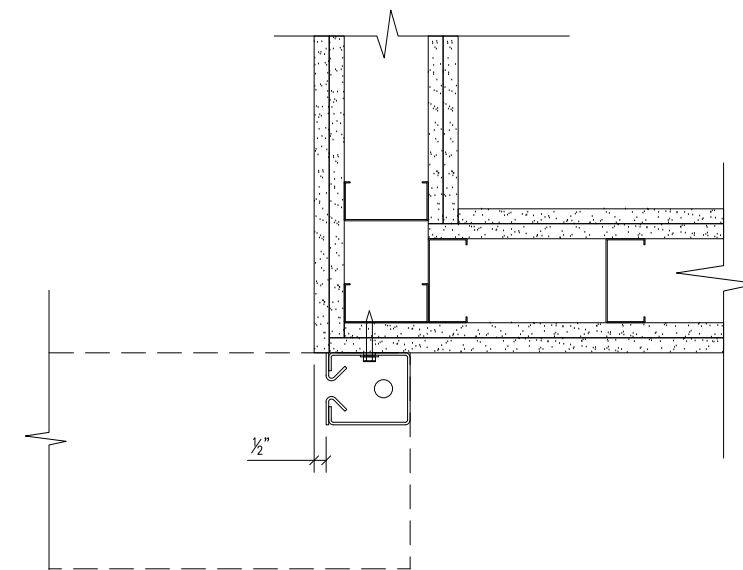
DESIGN SET: D1	SIZE B
MODEL: M2500	SHEET
M2500 SIDE GUIDE DETAILS	5 OF 5
DRAWN: TLM	9.17.2019



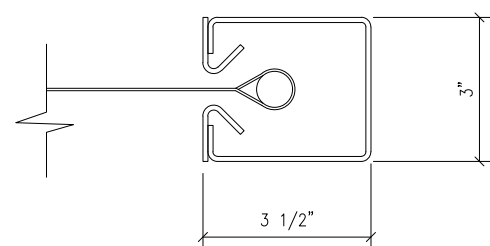
5 BURIED SIDE GUIDE DETAIL - SMOKE RATED SHOWN
SCALE: 1 1/2" = 1'-0"
APPROVED FIRE RATED INSTALLATION



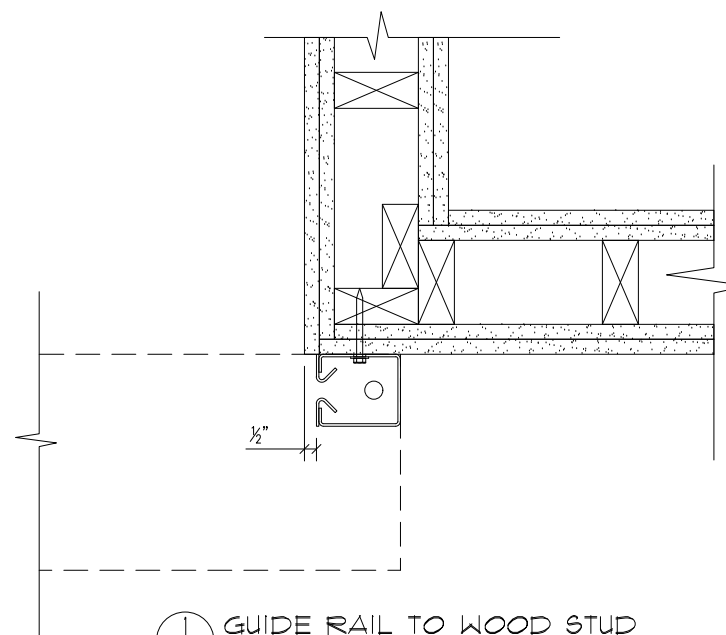
3 GUIDE RAIL TO MASONRY
SCALE: 1 1/2" = 1'-0"
APPROVED FIRE RATED INSTALLATION



2 GUIDE RAIL TO STEEL STUD
SCALE: 1 1/2" = 1'-0"
APPROVED FIRE RATED INSTALLATION



4 M2500 GUIDE DIMENSIONS
SCALE: 1 1/2" = 1'-0"
APPROVED FIRE RATED INSTALLATION



1 GUIDE RAIL TO WOOD STUD
SCALE: 1 1/2" = 1'-0"
APPROVED FIRE RATED INSTALLATION